

**AlexAllen
Studio**

AlexAllen Studio LLC
302 3rd Avenue
Brooklyn, NY 11215
T: +1 (917) 909-0405
info@alexallenstudio.com
www.alexallenstudio.com

Chord Pendant (30")



Shown: Satin White



Canopy in Bronze

PRODUCT INFORMATION

Year of Design:
2017

Country of Manufacture:
Brooklyn, NY, USA

Materials:
LED, Rectangular Steel Tube,
and Acrylic

Certifications:
Damp Location
UL listed (US and Canada)

Warranty: 5 years

Fixture Weight:
8 lbs / 3.6kg

Shipping Size and Weight:
55"L x 9"W x 29" H
386 cm x 23 cm x 74 cm
20lbs / 9.1 kg

SPECIFICATIONS

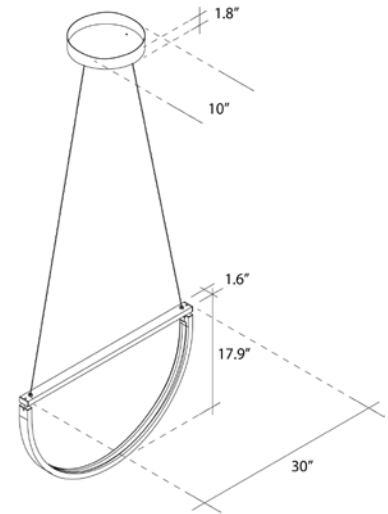
Flexible LED Module (>60,000 Hour Lifespan)
Universal Voltage 120V-277V, 50Hz/60Hz

Dimming Options:
TRIAC/ELV or 0-10 V Control*
*SEE ASSEMBLY GUIDE FOR COMPATIBLE
DIMMERS

Output: 1825 Lumens, 86 CRI, 37W

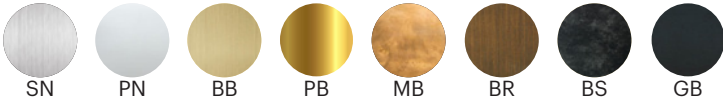
LED Temperatures (K): 2200, 2500, 2700,
3000, 3500, 4000, 5000

Cord Length*:
120" / 304.8 cm, Field Adjustable*



FINISH OPTIONS

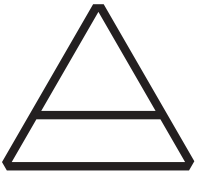
Metal Finishes: Satin Nickel, Polished Nickel, Brushed Brass, Polished Brass, Mottled Brass, Bronze, Blackened Steel, Gunmetal Black.



SPECIFICATION CODE

Fixture	Size	LED Temperature	Brightness	Dimming	Metal Finish	Canopy Finish
CRD	30		SB	UNV		
	30 - 30"+30" 36 - 36"+36" 40 - 40"+40" 48 - 48"+48" CU - Custom	22 - 2200K 25 - 2500K 27 - 2700K 30 - 3000K 35 - 3500K 40 - 4000K 50 - 5000K	SB - Standard Brightness	UNV - TRIAC/ ELV or 0-10 V Control	SN - Satin Nickel PN - Polished Nickel BB - Brushed Brass PB - Polished Brass MB - Mottled Brass BR - Bronze BS - Blackened Steel GB - Gunmetal	SN - Satin Nickel PN - Polished Nickel BB - Brushed Brass PB - Polished Brass MB - Mottled Brass BR - Bronze BS - Blackened Steel GB - Gunmetal SW - Satin White





**AlexAllen
Studio**

AlexAllen Studio LLC
302 3rd Avenue
Brooklyn, NY 11215
T: +1 (917) 909-0405
info@alexallenstudio.com
www.alexallenstudio.com

Chord Pendant (36")



Shown: Satin White



Canopy in Bronze

PRODUCT INFORMATION

Year of Design:
2017

Country of Manufacture:
Brooklyn, NY, USA

Materials:
LED, Rectangular Steel Tube,
and Acrylic

Certifications:
Damp Location
UL listed (US and Canada)

Warranty: 5 years

Fixture Weight:
9 lbs /4.1kg

Shipping Size and Weight:
55"L x 9"W x 29" H
386 cm x 23 cm x 74 cm
20lbs / 9.1 kg

SPECIFICATIONS

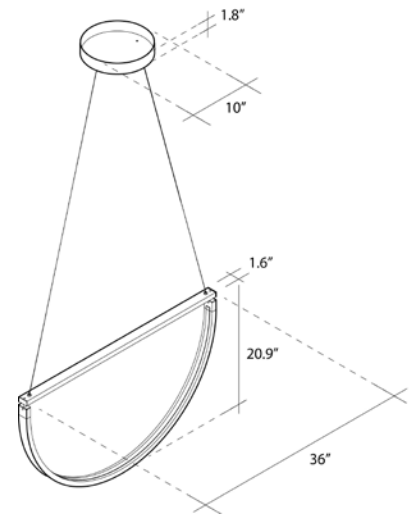
Flexible LED Module (>60,000 Hour Lifespan)
Universal Voltage 120V-277V, 50Hz/60Hz

Dimming Options:
TRIAC/ELV or 0-10 V Control*
*SEE ASSEMBLY GUIDE FOR COMPATIBLE
DIMMERS

Output: 2175 Lumens, 86 CRI, 45W

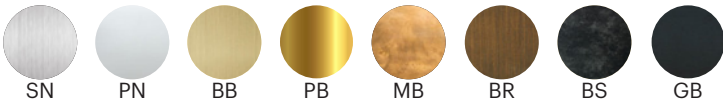
LED Temperatures (K): 2200, 2500, 2700,
3000, 3500, 4000, 5000

Cord Length*:
120" / 304.8 cm, Field Adjustable*



FINISH OPTIONS

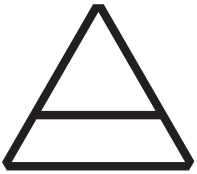
Metal Finishes: Satin Nickel, Polished Nickel, Brushed Brass, Polished Brass, Mottled Brass, Bronze, Blackened Steel, Gunmetal Black.



SPECIFICATION CODE

Fixture	Size	LED Temperature	Brightness	Dimming	Metal Finish	Canopy Finish
CRD	36		SB	UNV		
	30 - 30"+30" 36 - 36"+36" 40 - 40"+40" 48 - 48"+48" CU - Custom	22 - 2200K 25 - 2500K 27 - 2700K 30 - 3000K 35 - 3500K 40 - 4000K 50 - 5000K	SB - Standard Brightness	UNV - TRIAC/ ELV or 0-10 V Control	SN - Satin Nickel PN - Polished Nickel BB - Brushed Brass PB - Polished Brass MB - Mottled Brass BR - Bronze BS - Blackened Steel GB - Gunmetal	SN - Satin Nickel PN - Polished Nickel BB - Brushed Brass PB - Polished Brass MB - Mottled Brass BR - Bronze BS - Blackened Steel GB - Gunmetal SW - Satin White





**AlexAllen
Studio**

AlexAllen Studio LLC
302 3rd Avenue
Brooklyn, NY 11215
T: +1 (917) 909-0405
info@alexallenstudio.com
www.alexallenstudio.com

Chord Pendant (40")



Shown: Mottled Brass



Canopy in Bronze

PRODUCT INFORMATION

Year of Design:
2017

Country of Manufacture:
Brooklyn, NY, USA

Materials:
LED, Rectangular Steel Tube,
and Acrylic

Certifications:
Damp Location
UL listed (US and Canada)

Warranty: 5 years

Fixture Weight:
10 lbs /4.5kg

Shipping Size and Weight:
55"L x 9"W x 29" H
386 cm x 23 cm x 74 cm
30lbs / 9.1 kg

SPECIFICATIONS

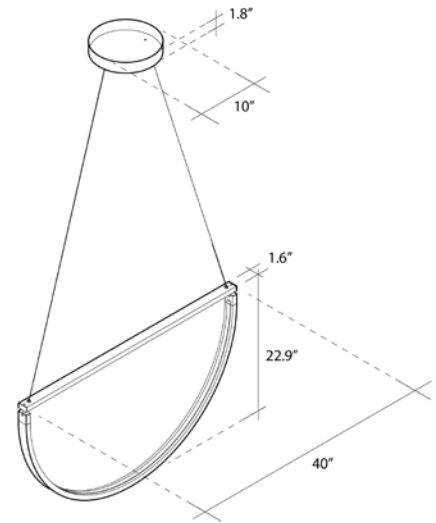
Flexible LED Module (>60,000 Hour Lifespan)
Universal Voltage 120V-277V, 50Hz/60Hz

Dimming Options:
TRIAC/ELV or 0-10 V Control*
*SEE ASSEMBLY GUIDE FOR COMPATIBLE
DIMMERS

Output: 2450 Lumens, 86 CRI, 50W

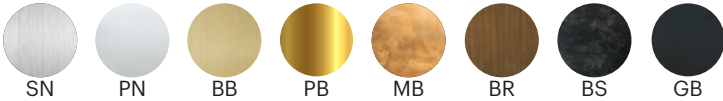
LED Temperatures (K): 2200, 2500, 2700,
3000, 3500, 4000, 5000

Cord Length*:
120" / 304.8 cm, Field Adjustable*



FINISH OPTIONS

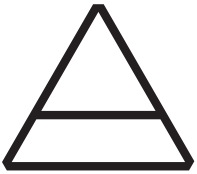
Metal Finishes: Satin Nickel, Polished Nickel, Brushed Brass, Polished Brass, Mottled Brass, Bronze, Blackened Steel, Gunmetal Black.



SPECIFICATION CODE

Fixture	Size	LED Temperature	Brightness	Dimming	Metal Finish	Canopy Finish
CRD	40		SB	UNV		
	30 - 30"+30" 36 - 36"+36" 40 - 40"+40" 48 - 48"+48" CU - Custom	22 - 2200K 25 - 2500K 27 - 2700K 30 - 3000K 35 - 3500K 40 - 4000K 50 - 5000K	SB - Standard Brightness	UNV - TRIAC/ ELV or 0-10 V Control	SN - Satin Nickel PN - Polished Nickel BB - Brushed Brass PB - Polished Brass MB - Mottled Brass BR - Bronze BS - Blackened Steel GB - Gunmetal	SN - Satin Nickel PN - Polished Nickel BB - Brushed Brass PB - Polished Brass MB - Mottled Brass BR - Bronze BS - Blackened Steel GB - Gunmetal SW - Satin White





**AlexAllen
Studio**

AlexAllen Studio LLC
302 3rd Avenue
Brooklyn, NY 11215
T: +1 (917) 909-0405
info@alexallenstudio.com
www.alexallenstudio.com

Chord Pendant (48")



Shown: Gunmetal Black



Canopy in Bronze

PRODUCT INFORMATION

Year of Design:
2017

Country of Manufacture:
Brooklyn, NY, USA

Materials:
LED, Rectangular Steel Tube,
and Acrylic

Certifications:
Damp Location
UL listed (US and Canada)

Warranty: 5 years

Fixture Weight:
12 lbs /5.5kg

Shipping Size and Weight:
57"L x 11"W x 33" H
145 cm x 28 cm x 84 cm
35lbs / 16 kg

SPECIFICATIONS

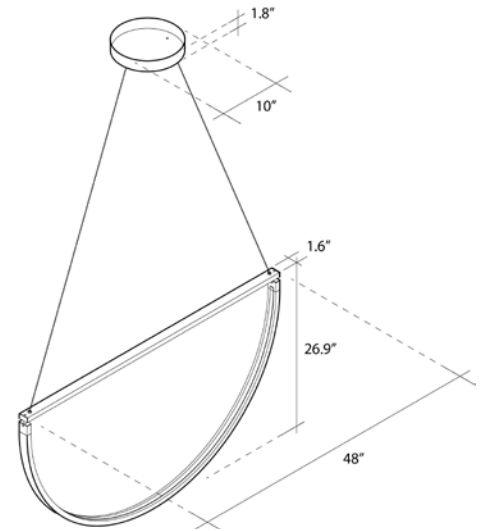
Flexible LED Module (>60,000 Hour Lifespan)
Universal Voltage 120V-277V, 50Hz/60Hz

Dimming Options:
TRIAC/ELV or 0-10 V Control*
*SEE ASSEMBLY GUIDE FOR COMPATIBLE
DIMMERS

Output: 2950 Lumens, 86 CRI, 60W

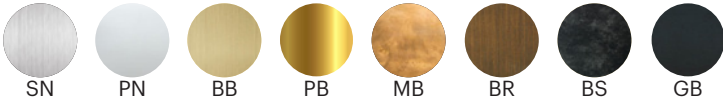
LED Temperatures (K): 2200, 2500, 2700,
3000, 3500, 4000, 5000

Cord Length*:
120" / 304.8 cm, Field Adjustable*



FINISH OPTIONS

Metal Finishes: Satin Nickel, Polished Nickel, Brushed Brass, Polished Brass, Mottled Brass, Bronze, Blackened Steel, Gunmetal Black.



SPECIFICATION CODE

Fixture	Size	LED Temperature	Brightness	Dimming	Metal Finish	Canopy Finish
CRD	48		SB	UNV		
	30 - 30"+30" 36 - 36"+36" 40 - 40"+40" 48 - 48"+48" CU - Custom	22 - 2200K 25 - 2500K 27 - 2700K 30 - 3000K 35 - 3500K 40 - 4000K 50 - 5000K	SB - Standard Brightness	UNV - TRIAC/ ELV or 0-10 V Control	SN - Satin Nickel PN - Polished Nickel BB - Brushed Brass PB - Polished Brass MB - Mottled Brass BR - Bronze BS - Blackened Steel GB - Gunmetal	SN - Satin Nickel PN - Polished Nickel BB - Brushed Brass PB - Polished Brass MB - Mottled Brass BR - Bronze BS - Blackened Steel GB - Gunmetal SW - Satin White

