

**AlexAllen
Studio**

AlexAllen Studio LLC
302 3rd Avenue
Brooklyn, NY 11215
T: +1 (917) 909-0405
info@alexallenstudio.com
www.alexallenstudio.com

Chord Cluster (30")



Shown: Satin White



Canopy in Bronze

PRODUCT INFORMATION

Year of Design:
2017

Country of Manufacture:
Brooklyn, NY, USA

Materials:
LED, Rectangular Steel Tube,
and Acrylic

Certifications:
Damp Location
UL listed (US and Canada)

Warranty: 5 years

Fixture Weight:
25 lbs / 11.3kg

Shipping Size and Weight:
48" L x 36" W x 36" H
123 cm x 92 cm x 92 cm
120lbs / 54.4 kg
ships LTL Freight

SPECIFICATIONS

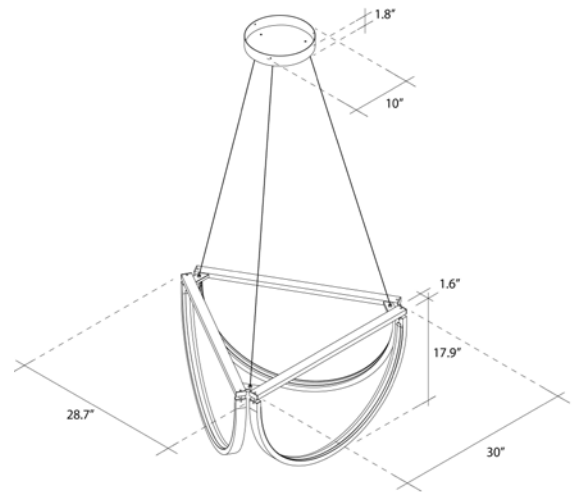
Flexible LED Module (>60,000 Hour Lifespan)
Universal Voltage 120V-277V, 50Hz/60Hz

Dimming Options:
TRIAC/ELV or 0-10 V Control*
*SEE ASSEMBLY GUIDE FOR COMPATIBLE
DIMMERS

Output: 2380 Lumens, 96 CRI, 69W

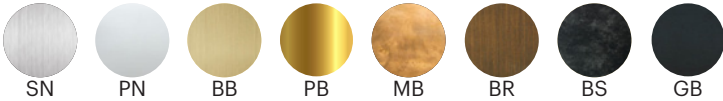
LED Temperatures (K): 2200, 2500, 2700,
3000, 3500, 4000, 5000

Cord Length*:
120" / 304.8 cm, Field Adjustable*



FINISH OPTIONS

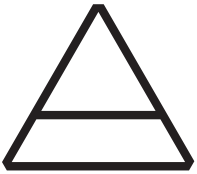
Metal Finishes: Satin Nickel, Polished Nickel, Brushed Brass, Polished Brass, Mottled Brass, Bronze, Blackened Steel, Gunmetal Black.



SPECIFICATION CODE

Fixture	Size	LED Temperature	Brightness	Dimming	Metal Finish	Canopy Finish
CLU	30		SB	UNV		
	30 - 30"	22 - 2200K	SB - Standard Brightness	UNV - TRIAC/ ELV or 0-10 V Control	SN - Satin Nickel PN - Polished Nickel BB - Brushed Brass PB - Polished Brass MB - Mottled Brass BR - Bronze BS - Blackened Steel GB - Gunmetal	SN - Satin Nickel PN - Polished Nickel BB - Brushed Brass PB - Polished Brass MB - Mottled Brass BR - Bronze BS - Blackened Steel GB - Gunmetal SW - Satin White
	36 - 36"	25 - 2500K				
	40 - 40"	27 - 2700K				
	48 - 48"	30 - 3000K 35 - 3500K 40 - 4000K 50 - 5000K				





**AlexAllen
Studio**

AlexAllen Studio LLC
302 3rd Avenue
Brooklyn, NY 11215
T: +1 (917) 909-0405
info@alexallenstudio.com
www.alexallenstudio.com

Chord Cluster (36")



Shown: Bronze



Canopy in Bronze

PRODUCT INFORMATION

Year of Design:
2017

Country of Manufacture:
Brooklyn, NY, USA

Materials:
LED, Rectangular Steel Tube,
and Acrylic

Certifications:
Damp Location
UL listed (US and Canada)

Warranty: 5 years

Fixture Weight:
27 lbs / 12.3kg

Shipping Size and Weight:
48"L x 36"W x 36" H
123 cm x 92 cm x 92 cm
125lbs / 56.7 kg
ships LTL Freight

SPECIFICATIONS

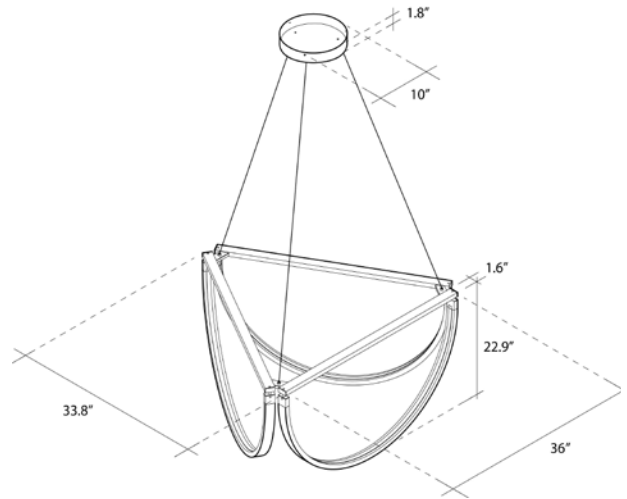
Flexible LED Module (>60,000 Hour Lifespan)
Universal Voltage 120V-277V, 50Hz/60Hz

Dimming Options:
TRIAC/ELV or 0-10 V Control*
*SEE ASSEMBLY GUIDE FOR COMPATIBLE
DIMMERS

Output: 2960 Lumens, 96 CRI, 85W

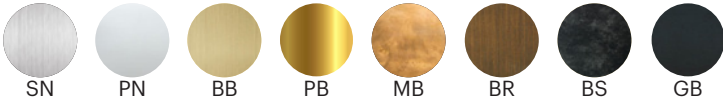
LED Temperatures (K): 2200, 2500, 2700,
3000, 3500, 4000, 5000

Cord Length*:
120" / 304.8 cm, Field Adjustable*



FINISH OPTIONS

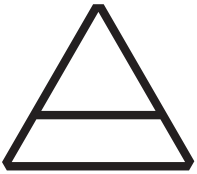
Metal Finishes: Satin Nickel, Polished Nickel, Brushed Brass, Polished Brass, Mottled Brass, Bronze, Blackened Steel, Gunmetal Black.



SPECIFICATION CODE

Fixture	Size	LED Temperature	Brightness	Dimming	Metal Finish	Canopy Finish
CLU	36		SB	UNV		
	30 - 30"	22 - 2200K	SB - Standard Brightness	UNV - TRIAC/ ELV or 0-10 V Control	SN - Satin Nickel	SN - Satin Nickel
	36 - 36"	25 - 2500K			PN - Polished Nickel	PN - Polished Nickel
	40 - 40"	27 - 2700K			BB - Brushed Brass	BB - Brushed Brass
	48 - 48"	30 - 3000K			PB - Polished Brass	PB - Polished Brass
		35 - 3500K			MB - Mottled Brass	MB - Mottled Brass
		40 - 4000K			BR - Bronze	BR - Bronze
		50 - 5000K	BS - Blackened Steel	BS - Blackened Steel		
			GB - Gunmetal	GB - Gunmetal	SW - Satin White	





**AlexAllen
Studio**

AlexAllen Studio LLC
302 3rd Avenue
Brooklyn, NY 11215
T: +1 (917) 909-0405
info@alexallenstudio.com
www.alexallenstudio.com

Chord Cluster (40")



Shown: Bronze



Canopy in Bronze

PRODUCT INFORMATION

Year of Design:
2017

Country of Manufacture:
Brooklyn, NY, USA

Materials:
LED, Rectangular Steel Tube,
and Acrylic

Certifications:
Damp Location
UL listed (US and Canada)

Warranty: 5 years

Fixture Weight:
30 lbs / 13.6 kg

Shipping Size and Weight:
48"L x 40"W x 36"H
123 cm x 102 cm x 92 cm
145lbs / 65.7 kg
ships LTL Freight

SPECIFICATIONS

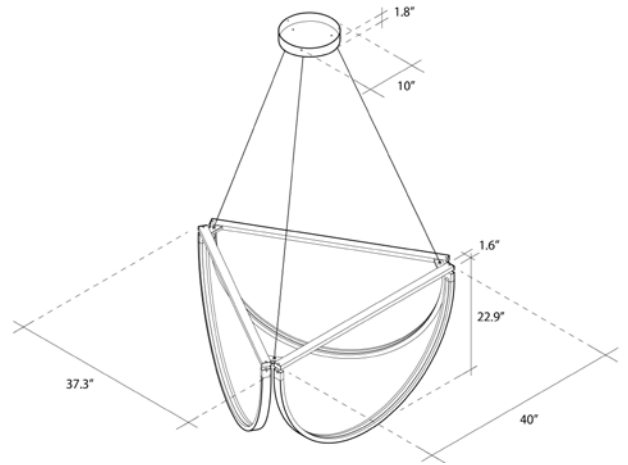
Flexible LED Module (>60,000 Hour Lifespan)
Universal Voltage 120V-277V, 50Hz/60Hz

Dimming Options:
TRIAC/ELV or 0-10 V Control*
*SEE ASSEMBLY GUIDE FOR COMPATIBLE
DIMMERS

Output: 3330 Lumens, 96 CRI, 94W

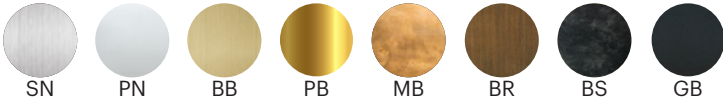
LED Temperatures (K): 2200, 2500, 2700,
3000, 3500, 4000, 5000

Cord Length*:
120" / 304.8 cm, Field Adjustable*



FINISH OPTIONS

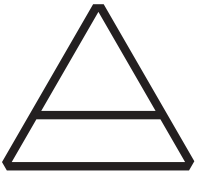
Metal Finishes: Satin Nickel, Polished Nickel, Brushed Brass, Polished Brass, Mottled Brass, Bronze, Blackened Steel, Gunmetal Black.



SPECIFICATION CODE

Fixture	Size	LED Temperature	Brightness	Dimming	Metal Finish	Canopy Finish
CLU	40		SB	UNV		
	30 - 30"	22 - 2200K	SB - Standard Brightness	UNV - TRIAC/ ELV or 0-10 V Control	SN - Satin Nickel	SN - Satin Nickel
	36 - 36"	25 - 2500K			PN - Polished Nickel	PN - Polished Nickel
	40 - 40"	27 - 2700K			BB - Brushed Brass	BB - Brushed Brass
	48 - 48"	30 - 3000K			PB - Polished Brass	PB - Polished Brass
		35 - 3500K			MB - Mottled Brass	MB - Mottled Brass
		40 - 4000K		BR - Bronze	BR - Bronze	
		50 - 5000K		BS - Blackened Steel	BS - Blackened Steel	
				GB - Gunmetal	GB - Gunmetal	
					SW - Satin White	





**AlexAllen
Studio**

AlexAllen Studio LLC
302 3rd Avenue
Brooklyn, NY 11215
T: +1 (917) 909-0405
info@alexallenstudio.com
www.alexallenstudio.com

Chord Cluster (48")



Shown: Bronze



Canopy in Bronze

PRODUCT INFORMATION

Year of Design:
2017

Country of Manufacture:
Brooklyn, NY, USA

Materials:
LED, Rectangular Steel Tube,
and Acrylic

Certifications:
Damp Location
UL listed (US and Canada)

Warranty: 5 years

Fixture Weight:
35 lbs / 15.8kg

Shipping Size and Weight:
60"L x 48"W x 48" H
152 cm x 122 cm x 122 cm
160 lbs / 56.7 kg
ships LTL Freight

SPECIFICATIONS

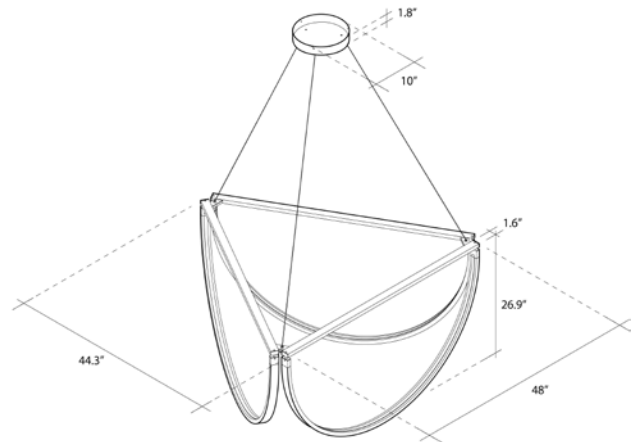
Flexible LED Module (>60,000 Hour Lifespan)
Universal Voltage 120V-277V, 50Hz/60Hz

Dimming Options:
TRIAC/ELV or 0-10 V Control*
*SEE ASSEMBLY GUIDE FOR COMPATIBLE
DIMMERS

Output: 4010 Lumens, 96 CRI, 115W

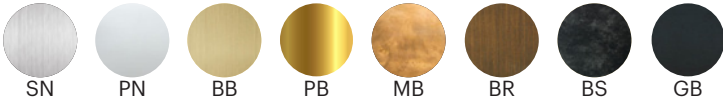
LED Temperatures (K): 2200, 2500, 2700,
3000, 3500, 4000, 5000

Cord Length*:
120" / 304.8 cm, Field Adjustable*



FINISH OPTIONS

Metal Finishes: Satin Nickel, Polished Nickel, Brushed Brass, Polished Brass, Mottled Brass, Bronze, Blackened Steel, Gunmetal Black.



SPECIFICATION CODE

Fixture	Size	LED Temperature	Brightness	Dimming	Metal Finish	Canopy Finish
CLU	48		SB	UNV		
	30 - 30"	22 - 2200K	SB - Standard Brightness	UNV - TRIAC/ ELV Control 010 - 0-10V	SN - Satin Nickel PN - Polished Nickel BB - Brushed Brass PB - Polished Brass MB - Mottled Brass BR - Bronze BS - Blackened Steel GB - Gunmetal	SN - Satin Nickel PN - Polished Nickel BB - Brushed Brass PB - Polished Brass MB - Mottled Brass BR - Bronze BS - Blackened Steel GB - Gunmetal SW - Satin White
	36 - 36"	25 - 2500K				
	40 - 40"	27 - 2700K	HB - High Brightness			
	48 - 48"	30 - 3000K 35 - 3500K 40 - 4000K 50 - 5000K				

