

**AlexAllen  
Studio**

AlexAllen Studio LLC  
302 3rd Avenue  
Brooklyn, NY 11215  
T: +1 (917) 909-0405  
info@alexallenstudio.com

www.alexallenstudio.com

## 2x4 Leather (4ft)



Shown: Black Leather, Blackened Steel Hardware



### PRODUCT INFORMATION

**Year of Design:**  
2013

**Country of Manufacture:**  
Brooklyn, NY, USA

**Materials:**  
LED, Sustainably Harvested  
Eastern White Pine, Genuine  
Leather, Steel, Brass,  
Aluminum, and Acrylic

**Certifications:**  
Damp Location  
UL listed (US and Canada)

**Warranty:** 5 years

**Fixture Weight:**  
5lbs / 2.25kg

**Shipping Size and Weight:**  
60"L x 10"W x 10" H  
152 cm x 25 cm x 25 cm  
10lbs / 4.5 kg

### FINISH OPTIONS

**Metal Finishes:** Satin Nickel, Polished Nickel, Brushed Brass, Polished Brass, Mottled Brass, Bronze, Blackened Steel, Gunmetal Black.



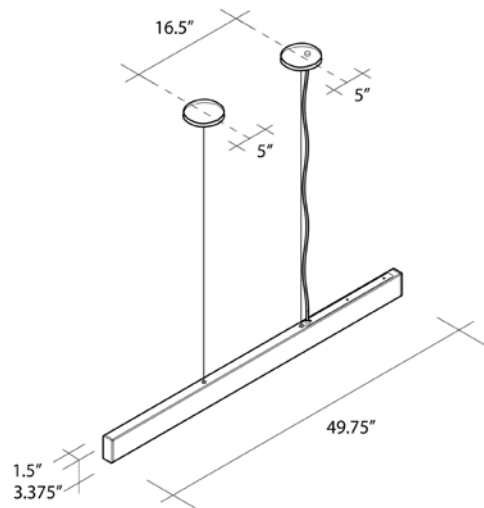
**Leather Finishes:** Cobalt, Dark Brown, Black, Cognac

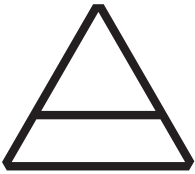


**Cord Colors:** Black, Brown, Houndstooth

### SPECIFICATION CODE

Fixture	Size	LED Temperature	Brightness	Dimming	Metal Finish	Leather Color	Cord Color
<b>2x4L</b>	<b>048</b>						
	<b>048</b> - 4'	<b>22</b> - 2200K	<b>SB</b> - Standard Brightness	<b>UNV</b> - TRIAC/ELV Control	<b>SN</b> - Satin Nickel	<b>CO</b> - Cobalt	<b>BK</b> - Black
	<b>072</b> - 6'	<b>25</b> - 2500K	<b>HB</b> - High Brightness	<b>010</b> - 0-10V	<b>PN</b> - Polished Nickel	<b>DB</b> - Dark Brown	<b>BR</b> - Brown
	<b>096</b> - 8'	<b>27</b> - 2700K			<b>BB</b> - Brushed Brass	<b>BK</b> - Black	<b>HT</b> - Houndstooth
	<b>120</b> - 10'	<b>30</b> - 3000K			<b>BB</b> - Brushed Brass	<b>CG</b> - Cognac	
	<b>144</b> - 12'	<b>35</b> - 3500K			<b>PB</b> - Polished Brass		
		<b>40</b> - 4000K			<b>MB</b> - Mottled Brass		
		<b>50</b> - 5000K			<b>BR</b> - Bronze		
					<b>BS</b> - Blackened Steel		
					<b>GB</b> - Gunmetal		





**AlexAllen  
Studio**

AlexAllen Studio LLC  
302 3rd Avenue  
Brooklyn, NY 11215  
T: +1 (917) 909-0405  
info@alexallenstudio.com

www.alexallenstudio.com

## 2x4 Leather (6ft)



Shown: Brown Leather, Mottled Brass Hardware



### PRODUCT INFORMATION

**Year of Design:**  
2013

**Country of Manufacture:**  
Brooklyn, NY, USA

**Materials:**  
LED, Sustainably Harvested  
Eastern White Pine, Genuine  
Leather, Steel, Brass,  
Aluminum, and Acrylic

**Certifications:**  
Damp Location  
UL listed (US and Canada)

**Warranty:** 5 years

**Fixture Weight:**  
7.5 lbs / 3.4 kg

**Shipping Size and Weight:**  
84"L x 10"W x 10" H  
213 cm x 25 cm x 25 cm  
15 lbs / 6.8 kg

### FINISH OPTIONS

**Metal Finishes:** Satin Nickel, Polished Nickel, Brushed Brass, Polished Brass, Mottled Brass, Bronze, Blackened Steel, Gunmetal Black.



**Leather Finishes:** Cobalt, Dark Brown, Black, Cognac



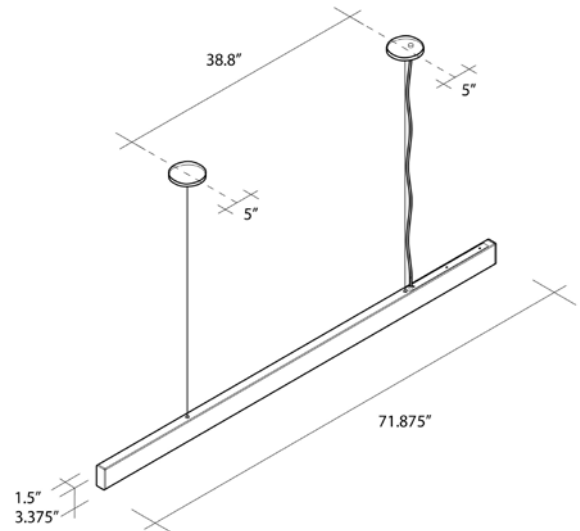
**Cord Colors:** Black, Brown, Houndstooth

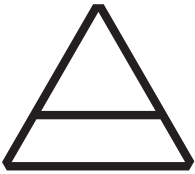
### SPECIFICATION CODE

Fixture	Size	LED Temperature	Brightness	Dimming	Metal Finish	Leather Color	Cord Color
---------	------	-----------------	------------	---------	--------------	---------------	------------

**2x4L - 072**

	<b>048</b> - 4' <b>072</b> - 6' <b>096</b> - 8' <b>120</b> - 10' <b>144</b> - 12'	<b>22</b> - 2200K <b>25</b> - 2500K <b>27</b> - 2700K <b>30</b> - 3000K <b>35</b> - 3500K <b>40</b> - 4000K <b>50</b> - 5000K	<b>SB</b> - Standard Brightness <b>HB</b> - High Brightness	<b>UNV</b> - TRIAC/ ELV Control <b>010</b> - 0-10V	<b>SN</b> - Satin Nickel <b>PN</b> - Polished Nickel <b>BB</b> - Brushed Brass <b>PB</b> - Polished Brass <b>MB</b> - Mottled Brass <b>BR</b> - Bronze <b>BS</b> - Blackened Steel <b>GB</b> - Gunmetal	<b>CO</b> - Cobalt <b>DB</b> - Dark Brown <b>BK</b> - Black <b>CG</b> - Cognac	<b>BK</b> - Black <b>BR</b> - Brown <b>HT</b> - Houndstooth
--	---	---	--	--	---	---	---



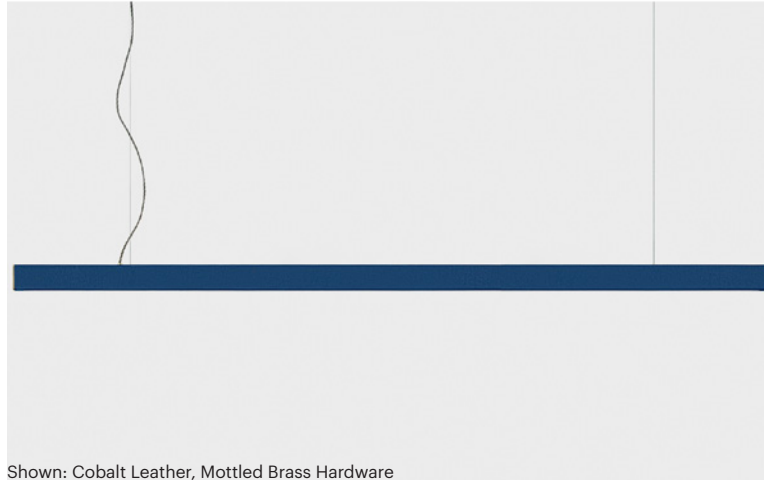


**AlexAllen  
Studio**

AlexAllen Studio LLC  
302 3rd Avenue  
Brooklyn, NY 11215  
T: +1 (917) 909-0405  
info@alexallenstudio.com

www.alexallenstudio.com

## 2x4 Leather (8ft)



Shown: Cobalt Leather, Mottled Brass Hardware



### PRODUCT INFORMATION

**Year of Design:**  
2013

**Country of Manufacture:**  
Brooklyn, NY, USA

**Materials:**  
LED, Sustainably Harvested  
Eastern White Pine, Genuine  
Leather, Steel, Brass,  
Aluminum, and Acrylic

**Certifications:**  
Damp Location  
UL listed (US and Canada)

**Warranty:** 5 years

**Fixture Weight:**  
7.5 lbs / 3.4 kg

**Shipping Size and Weight:**  
84"L x 10"W x 10" H  
213 cm x 25 cm x 25 cm  
15 lbs / 6.8 kg

### SPECIFICATIONS

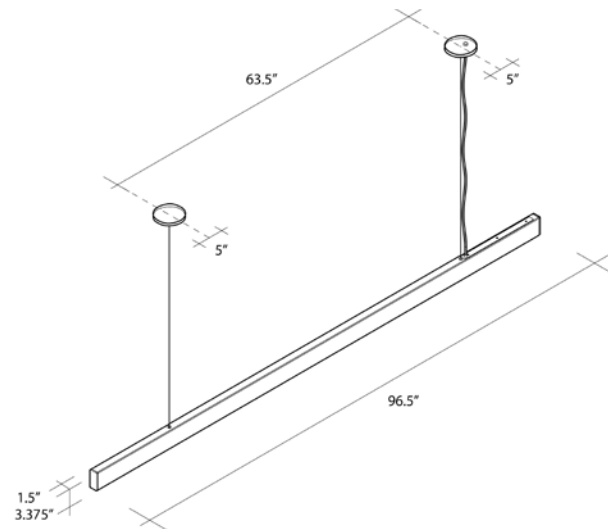
Flexible LED Module (>60,000 Hour Lifespan)  
Universal Voltage 120V-277V, 50Hz/60Hz

**Dimming Options:**  
TRIAC/ELV or 0-10 V Control\*  
\*SEE ASSEMBLY GUIDE FOR COMPATIBLE  
DIMMERS

**Standard Output** 1088 Lumens, 96 CRI,  
30W

**LED Temperatures (K):** 2200, 2500, 2700,  
3000, 3500, 4000, 5000

**Cord Length\*:**  
120" / 304.8 cm, Field Adjustable\*



### FINISH OPTIONS

**Metal Finishes:** Satin Nickel, Polished Nickel, Brushed Brass, Polished Brass, Mottled Brass, Bronze, Blackened Steel, Gunmetal Black.



**Leather Finishes:** Cobalt, Dark Brown, Black, Cognac

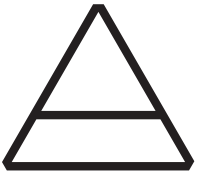


**Cord Colors:** Black, Brown, Houndstooth

### SPECIFICATION CODE

Fixture	Size	LED Temperature	Brightness	Dimming	Metal Finish	Leather Color	Cord Color
<b>2x4L</b>	<b>096</b>		<b>SB</b>				
	<b>048</b> - 4'	<b>22</b> - 2200K	<b>SB</b> - Standard Brightness	<b>UNV</b> - TRIAC/ELV Control	<b>SN</b> - Satin Nickel	<b>CO</b> - Cobalt	<b>BK</b> - Black
	<b>072</b> - 6'	<b>25</b> - 2500K		<b>010</b> - 0-10V	<b>PN</b> - Polished Nickel	<b>DB</b> - Dark Brown	<b>BR</b> - Brown
	<b>096</b> - 8'	<b>27</b> - 2700K			<b>BB</b> - Brushed Brass	<b>BK</b> - Black	<b>HT</b> - Houndstooth
	<b>120</b> - 10'	<b>30</b> - 3000K			<b>BB</b> - Brushed Brass	<b>CG</b> - Cognac	
	<b>144</b> - 12'	<b>35</b> - 3500K			<b>PB</b> - Polished Brass		
		<b>40</b> - 4000K			<b>MB</b> - Mottled Brass		
		<b>50</b> - 5000K			<b>BR</b> - Bronze		
					<b>BS</b> - Blackened Steel		
					<b>GB</b> - Gunmetal		





**AlexAllen  
Studio**

AlexAllen Studio LLC  
302 3rd Avenue  
Brooklyn, NY 11215  
T: +1 (917) 909-0405  
info@alexallenstudio.com  
www.alexallenstudio.com

# 2x4 Leather (10ft)



Shown: Cobalt Leather, Mottled Brass Hardware



## PRODUCT INFORMATION

**Year of Design:**  
2013

**Country of Manufacture:**  
Brooklyn, NY, USA

**Materials:**  
LED, Sustainably Harvested  
Eastern White Pine, Genuine  
Leather, Steel, Brass,  
Aluminum, and Acrylic

**Certifications:**  
Damp Location  
UL listed (US and Canada)

**Warranty:** 5 years

**Fixture Weight:**  
12.5 lbs / 5.7 kg

**Shipping Size and Weight:**  
130"L x 10"W x 10" H  
330 cm x 25 cm x 25 cm  
22.5 lbs / 10.2 kg

## SPECIFICATIONS

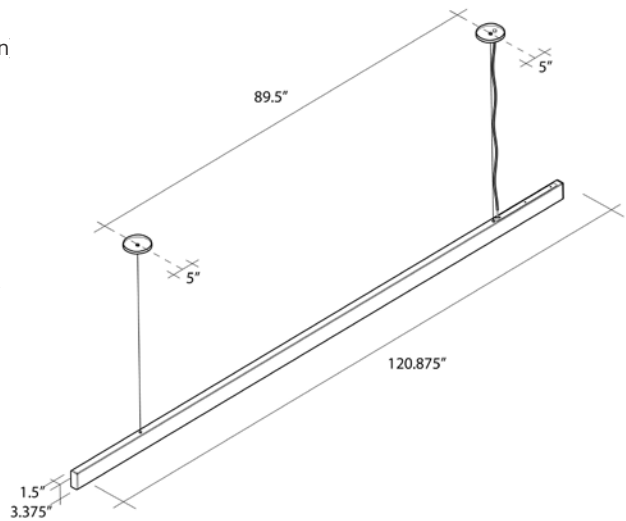
Flexible LED Module (>60,000 Hour Lifespan)  
Universal Voltage 120V-277V, 50Hz/60Hz

**Dimming Options:**  
TRIAC/ELV or 0-10 V Control\*  
\*SEE ASSEMBLY GUIDE FOR COMPATIBLE  
DIMMERS

**Standard Output** 1374 Lumens, 96 CRI,  
41.6W

**LED Temperatures (K):** 2200, 2500, 2700,  
3000, 3500, 4000, 5000

**Cord Length\*:**  
120" / 304.8 cm, Field Adjustable\*



## FINISH OPTIONS

**Metal Finishes:** Satin Nickel, Polished Nickel, Brushed Brass, Polished Brass, Mottled Brass, Bronze, Blackened Steel, Gunmetal Black.



**Leather Finishes:** Cobalt, Dark Brown, Black, Cognac

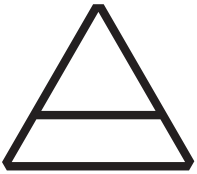


**Cord Colors:** Black, Brown, Houndstooth

## SPECIFICATION CODE

Fixture	Size	LED Temperature	Brightness	Dimming	Metal Finish	Leather Color	Cord Color
<b>2x4L</b>	<b>120</b>		<b>SB</b>				
	<b>048</b> - 4'	<b>22</b> - 2200K	<b>SB</b> - Standard Brightness	<b>UNV</b> - TRIAC/ELV Control	<b>SN</b> - Satin Nickel	<b>CO</b> - Cobalt	<b>BK</b> - Black
	<b>072</b> - 6'	<b>25</b> - 2500K		<b>010</b> - 0-10V	<b>PN</b> - Polished Nickel	<b>DB</b> - Dark Brown	<b>BR</b> - Brown
	<b>096</b> - 8'	<b>27</b> - 2700K			<b>BB</b> - Brushed Brass	<b>BK</b> - Black	<b>HT</b> - Houndstooth
	<b>120</b> - 10'	<b>30</b> - 3000K			<b>BR</b> - Bronze	<b>CG</b> - Cognac	
	<b>144</b> - 12'	<b>35</b> - 3500K			<b>PB</b> - Polished Brass		
		<b>40</b> - 4000K			<b>MB</b> - Mottled Brass		
		<b>50</b> - 5000K			<b>BS</b> - Blackened Steel		
					<b>GB</b> - Gunmetal		



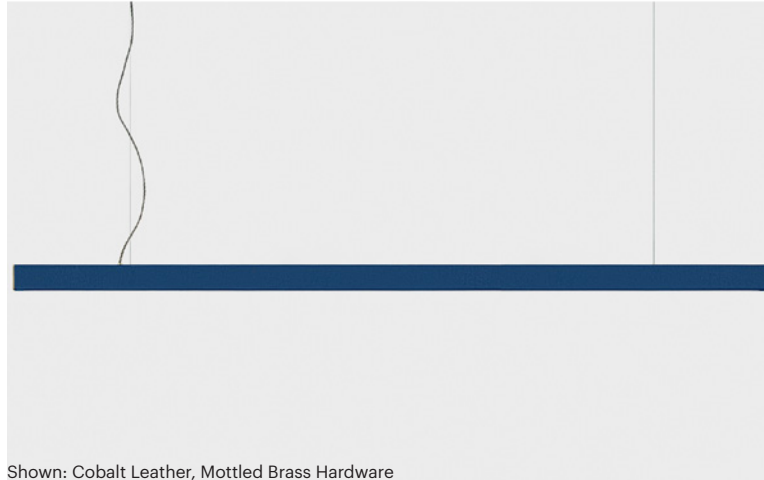


**AlexAllen  
Studio**

AlexAllen Studio LLC  
302 3rd Avenue  
Brooklyn, NY 11215  
T: +1 (917) 909-0405  
info@alexallenstudio.com

www.alexallenstudio.com

## 2x4 Leather (12ft)



Shown: Cobalt Leather, Mottled Brass Hardware



### PRODUCT INFORMATION

**Year of Design:**  
2013

**Country of Manufacture:**  
Brooklyn, NY, USA

**Materials:**  
LED, Sustainably Harvested  
Eastern White Pine, Genuine  
Leather, Steel, Brass,  
Aluminum, and Acrylic

**Certifications:**  
Damp Location  
UL listed (US and Canada)

**Warranty:** 5 years

**Fixture Weight:**  
15 lbs / 6.8 kg

**Shipping Size and Weight:**  
150"L x 10"W x 10" H  
381 cm x 25 cm x 25 cm  
25 lbs / 11.3 kg

### SPECIFICATIONS

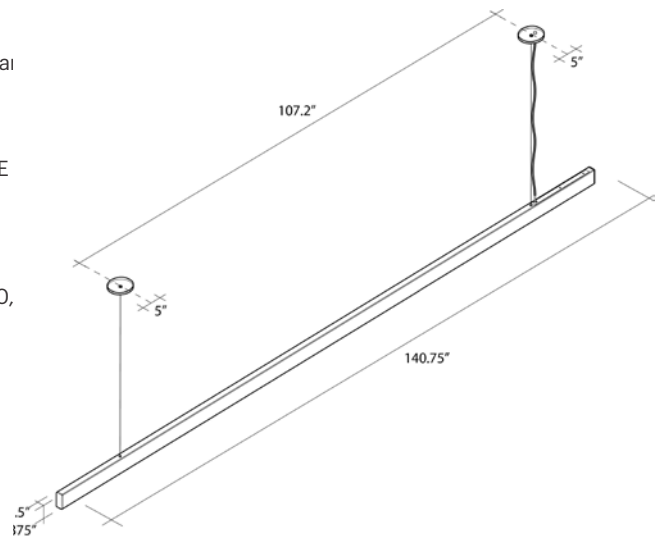
Flexible LED Module (>60,000 Hour Lifespan)  
Universal Voltage 120V-277V, 50Hz/60Hz

**Dimming Options:**  
TRIAC/ELV or 0-10 V Control\*  
\*SEE ASSEMBLY GUIDE FOR COMPATIBLE  
DIMMERS

**Standard Output** 1603 Lumens, 96 CRI,  
48.5W

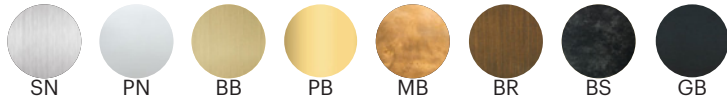
**LED Temperatures (K):** 2200, 2500, 2700,  
3000, 3500, 4000, 5000

**Cord Length\*:**  
120" / 304.8 cm, Field Adjustable\*



### FINISH OPTIONS

**Metal Finishes:** Satin Nickel, Polished Nickel, Brushed Brass, Polished Brass, Mottled Brass, Bronze, Blackened Steel, Gunmetal Black.



**Leather Finishes:** Cobalt, Dark Brown, Black, Cognac



**Cord Colors:** Black, Brown, Houndstooth

### SPECIFICATION CODE

Fixture	Size	LED Temperature	Brightness	Dimming	Metal Finish	Leather Color	Cord Color
<b>2x4L</b>	<b>144</b>		<b>SB</b>				
	<b>048</b> - 4'	<b>22</b> - 2200K	<b>SB</b> - Standard Brightness	<b>UNV</b> - TRIAC/ELV Control	<b>SN</b> - Satin Nickel	<b>CO</b> - Cobalt	<b>BK</b> - Black
	<b>072</b> - 6'	<b>25</b> - 2500K		<b>010</b> - 0-10V	<b>PN</b> - Polished Nickel	<b>DB</b> - Dark Brown	<b>BR</b> - Brown
	<b>096</b> - 8'	<b>27</b> - 2700K			<b>BB</b> - Brushed Brass	<b>BK</b> - Black	<b>HT</b> - Houndstooth
	<b>120</b> - 10'	<b>30</b> - 3000K			<b>BR</b> - Bronze	<b>CG</b> - Cognac	
	<b>144</b> - 12'	<b>35</b> - 3500K			<b>PB</b> - Polished Brass		
		<b>40</b> - 4000K			<b>MB</b> - Mottled Brass		
		<b>50</b> - 5000K			<b>BR</b> - Bronze		
					<b>BS</b> - Blackened Steel		
					<b>GB</b> - Gunmetal		

