

## TREAD

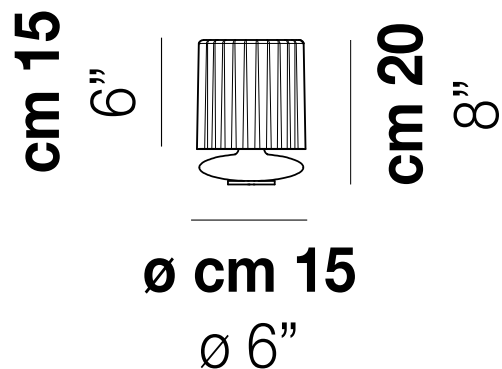
Design Chiaramonte & Marin

## TREAD LT



The “technicity” of the metal element combined with the blown glass diffuser gives Tread an “industrial” style. An object reminiscent of vintage electrical equipment for its particular shape, in which the finned heat sink, combined with blown glass, becomes a distinctive element. Tread creates an avant-garde and stylish atmosphere by combining crystal, smoky, burned earth and transparent old green glass with copper, gold and bronze matt finishes.

## TREAD LT



### TECHNICAL DATA:



### CERTIFICATIONS:



### LIGHT SOURCES

1x40W 220-240 V  
50/60 Hz

VOLUME Mc 0,05  
 GROSS WEIGHT Kg 4  
 NET WEIGHT Kg 3

download



### SHADE FINISHING



CRTR



FUTR

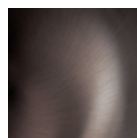


TBTR

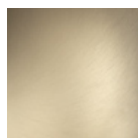


VATR

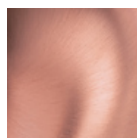
### FRAME FINISHING



BHS



BKS



RAS