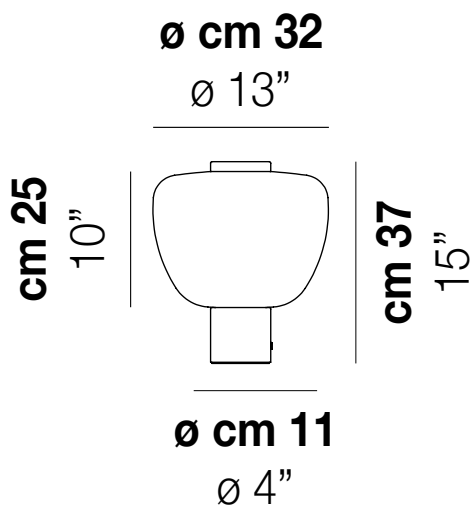


## RIFLESSO LT 3



### TECHNICAL DATA:

### CERTIFICATIONS:



1x10.5w 120V/60HZ LED

VOLUME Mc 0,13  
 GROSS WEIGHT Kg 8  
 NET WEIGHT Kg 4,5

download



### SHADE FINISHING



AA/TR

CR/TR

### FRAME FINISHING



BKS

RAV