

## JUBE

Design Favaretto&Partners

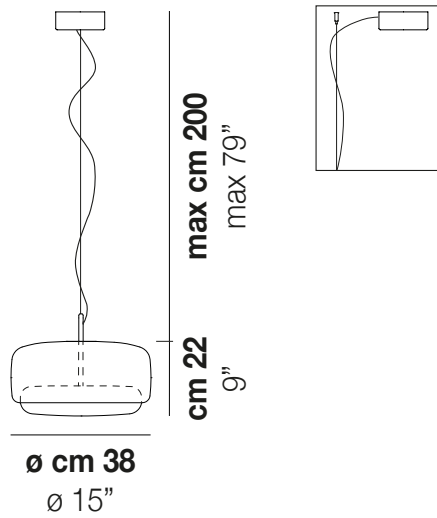
## JUBE SP G



The elegant and delicate look of the blown glass finds a new dimension in Jube. Two glass units placed side by side, so perfectly assembled, that they look like a unique piece. A sinuous lamp, with tone-on-tone colours that give it a precious, vintage mood.



## JUBE SP G



### TECHNICAL DATA:



LED 2700K DIM2	1x13W	37 V
LED 2700K DIM3	1x13W	37 V
LED 3000K DIM2	1x13 W	37 V
LED 3000K DIM3	1x13W	37 V

### CERTIFICATIONS:

Led 2700 K 13 W 37 V 2000 lm DIM2 Phase Cut  
 Led 2700 K 13 W 37 V 2000 lm DIM3 0-10V, Push  
 Led 3000 K 13 W 37 V 2000 lm DIM2 Phase Cut  
 Led 3000 K 13 W 37 V 2000 lm DIM3 0-10V, Push

VOLUME Mc 0,14  
 GROSS WEIGHT Kg 10  
 NET WEIGHT Kg 6

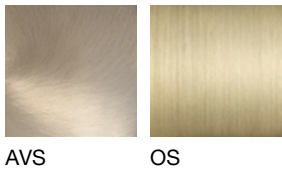
download



### SHADE FINISHING

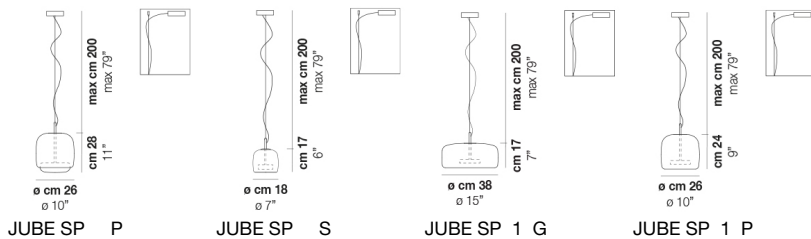


### FRAME FINISHING



### OTHER VERSION AVAILABLE

Click on the version to go to the web version of the product



## JUBE

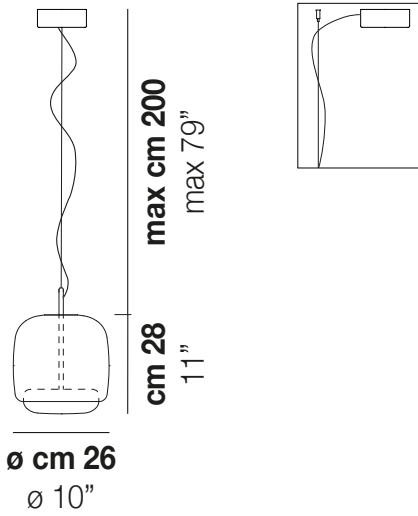
Design Favaretto&Partners

## JUBE SP P

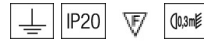


The elegant and delicate look of the blown glass finds a new dimension in Jube. Two glass units placed side by side, so perfectly assembled, that they look like a unique piece. A sinuous lamp, with tone-on-tone colours that give it a precious, vintage mood.

## JUBE SP P



### TECHNICAL DATA:



LED 2700K DIM2	1x13 W	37 V
LED 2700K DIM3	1x13 W	37 V
LED 3000K DIM2	1x13 W	37 V
LED 3000K DIM3	1x13 W	37 V

### CERTIFICATIONS:

- Led 2700 K 13 W 37 V 2000 lm DIM2 Phase Cut
- Led 2700 K 13 W 37 V 2000 lm DIM3 0-10V, Push
- Led 3000 K 13 W 37 V 2000 lm DIM2 Phase Cut
- Led 3000 K 13 W 37 V 2000 lm DIM3 0-10V, Push

VOLUME	Mc 0,1
GROSS WEIGHT	Kg 5
NET WEIGHT	Kg 2

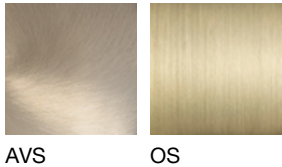
download



### SHADE FINISHING

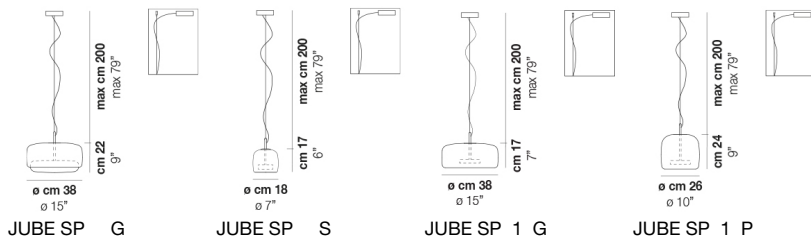


### FRAME FINISHING



### OTHER VERSION AVAILABLE

Click on the version to go to the web version of the product





## JUBE

Design Favaretto&Partners

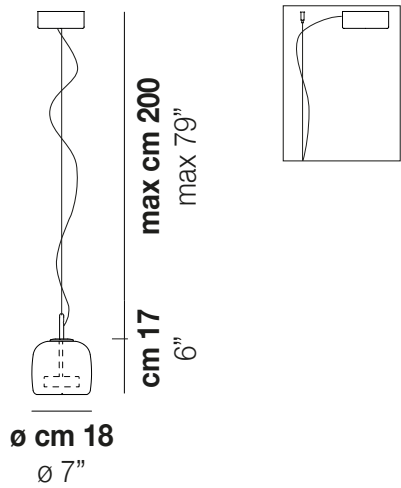
## JUBE SP S



The elegant and delicate look of the blown glass finds a new dimension in Jube. Two glass units placed side by side, so perfectly assembled, that they look like a unique piece. A sinuous lamp, with tone-on-tone colours that give it a precious, vintage mood.



## JUBE SP S



### TECHNICAL DATA:

### CERTIFICATIONS:

VOLUME Mc 0  
 GROSS WEIGHT Kg 4  
 NET WEIGHT Kg 2

[download](#)

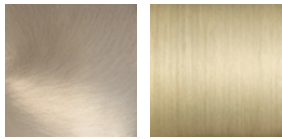


### SHADE FINISHING



AATR CRTR FUTR TBTR VATR

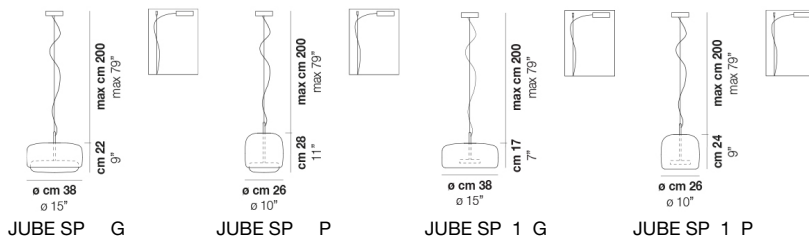
### FRAME FINISHING



AVS OS

### OTHER VERSION AVAILABLE

Click on the version to go to the web version of the product



JUBE SP G JUBE SP P JUBE SP 1 G JUBE SP 1 P