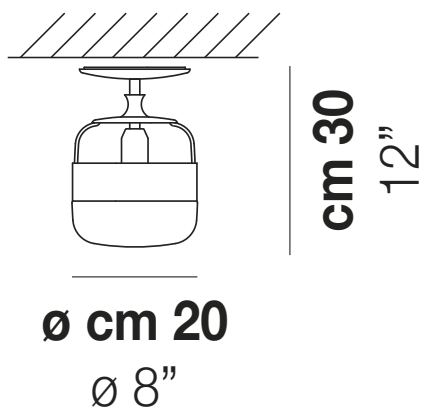


FUTURA PL P




TECHNICAL DATA:

CERTIFICATIONS:



LIGHT SOURCES

E26  1x60w 120V/60HZ E26

VOLUME Mc 0,16
GROSS WEIGHT Kg 0
NET WEIGHT Kg 0

download



SHADE FINISHING



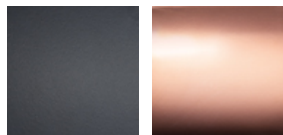
AM/OT

BC/NE

CR/RA

FU/MA

FRAME FINISHING

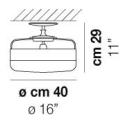


NE

RA

OTHER VERSION AVAILABLE

Click on the version to go to the web version of the product



FUTUR PL G

FUTURA

Design HANGAR DESIGN GROUP SRL

FUTURA PL G



Collection of lamps in blown glass available in three exclusive colors combined with different finishes of the metal ring. The glass is blown in one piece but the particular handcraft process makes the colour transparent in the upper part and diffuser in the bottom part.


FUTURA PL G

TECHNICAL DATA:

CERTIFICATIONS:



LIGHT SOURCES

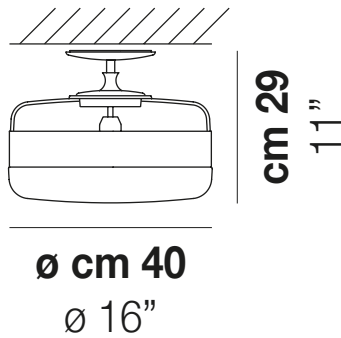
E26  1x60w 120V/60HZ E26

VOLUME Mc 0

GROSS WEIGHT Kg 0

NET WEIGHT Kg 0

download



SHADE FINISHING



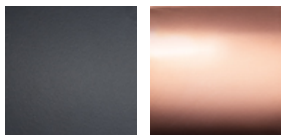
AM/OT

BC/NE

CR/RA

FU/MA

FRAME FINISHING

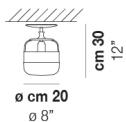


NE

RA

OTHER VERSION AVAILABLE

Click on the version to go to the web version of the product



FUTUR PL P