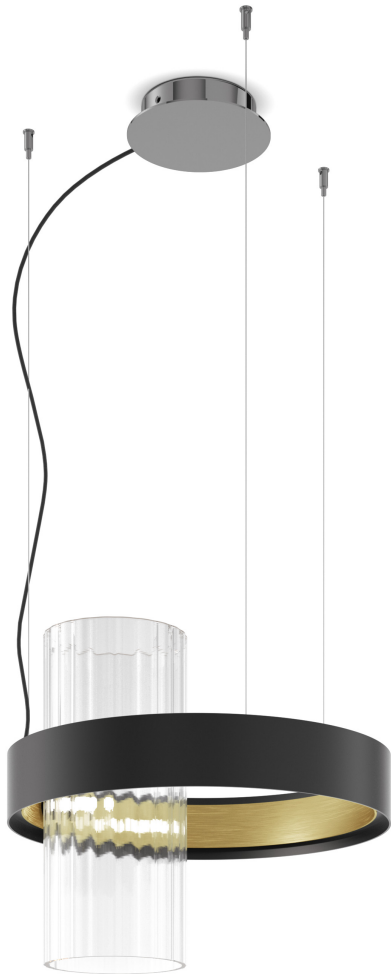
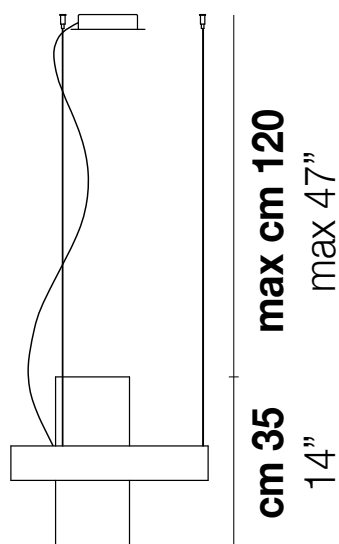


## ARMONIA

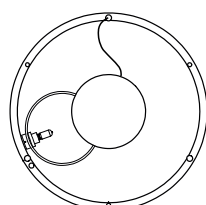
Design LUCCHESI FRANCESCO

## ARMONIA SP 40





**ø cm 40**  
ø 16"



**ø cm 40**  
ø 16"

## ARMONIA SP 40

TECHNICAL DATA:

CERTIFICATIONS:

LIGHT SOURCES

**ALO** ⇒ 1x60w 120V/60HZ G9

VOLUME Mc 0,22  
GROSS WEIGHT Kg 0  
NET WEIGHT Kg 0

download

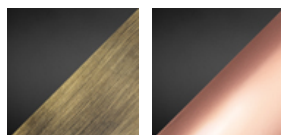


### SHADE FINISHING



AM/BT CR/BT

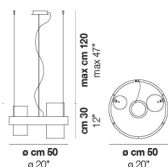
### FRAME FINISHING



N-O N-R

### OTHER VERSION AVAILABLE

Click on the version to go to the web version of the product

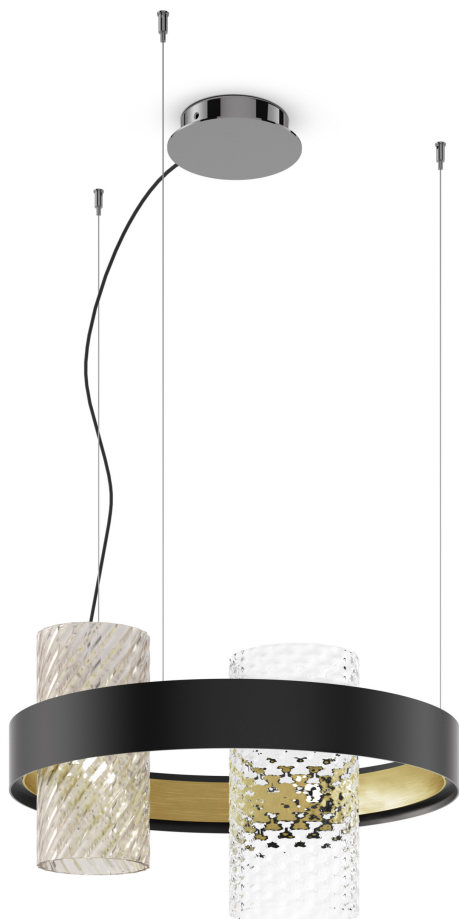


ARMON SP 50

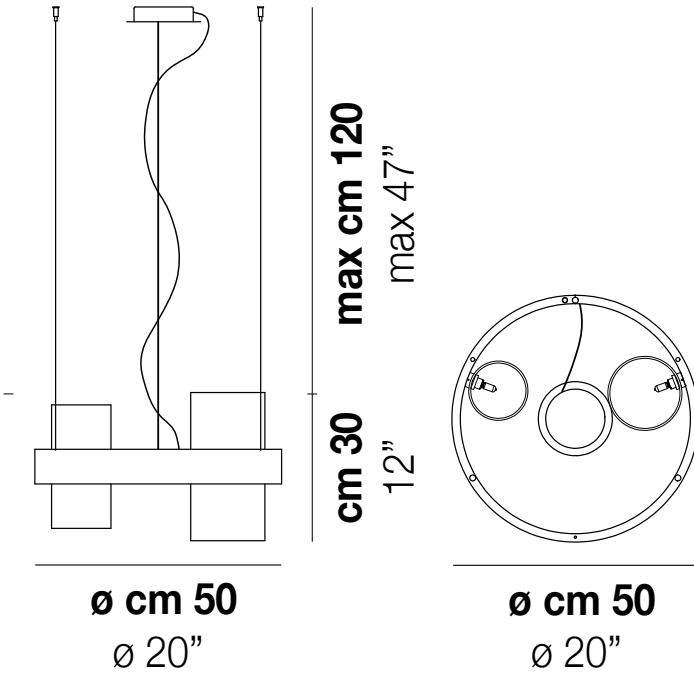
## ARMONIA

Design LUCCHESI FRANCESCO

## ARMONIA SP 50



## ARMONIA SP 50



### TECHNICAL DATA:

### CERTIFICATIONS:

### LIGHT SOURCES

ALO 2x60w 120V/60HZ G9

VOLUME Mc 0,44

GROSS WEIGHT Kg 0

NET WEIGHT Kg 0

download



### SHADE FINISHING



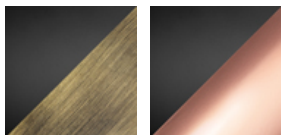
CR/RI

CR/TB

FU/CR

FU/TB

### FRAME FINISHING

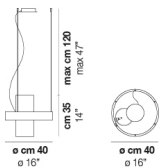


N-O

N-R

### OTHER VERSION AVAILABLE

Click on the version to go to the web version of the product



ARMON SP 40