



# Akūt 22492

project name:

project location:

specifier name:

specifier location:

quantity:

fixture type:

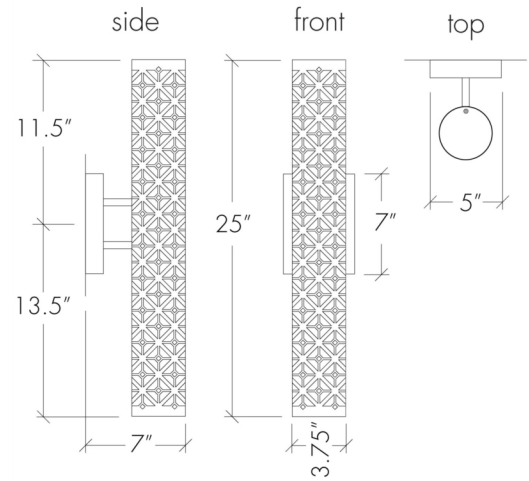
modifications:

### Base Specs

25"h x 5"w x 7"d  
Opal Acrylic Internal Diffuser

### Notes

Marine grade primer available — **±\$ Inquire.**





## Akūt 22492

### standard finish:

BA - Bronze Age  
BK - Black  
BP - Black Pearl  
CB - Cast Bronze  
CH - Chestnut  
CR - Chrome  
DI - Dark Iron  
EB - Empire Bronze  
MB - Medieval Bronze  
NB - New Brass  
SB - Smokey Brass  
SP - Satin Pewter  
SS - Smoked Silver

### lampping:

**02:** 16.8w Integrated LED, 2362 Initial Lumens, 3000K, 90 CRI, 120V, Standard Phase Dimming, UL/cUL Wet

**04:** 16.8w Integrated LED, 2362 Initial Lumens, 3000K, 90 CRI, 120V-277V, 0-10V Dimming, UL/cUL Dry/Damp

**14:** 16.8w Integrated LED, 2362 Initial Lumens, 3000K, 90 CRI, 120V, Standard Phase Dimming, UL/cUL Dry/Damp

### standard diffuser:

OA - Opal Acrylic

