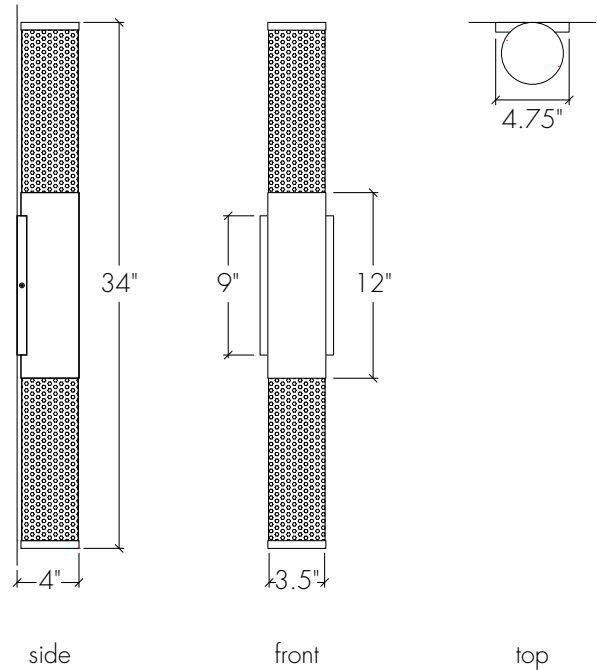
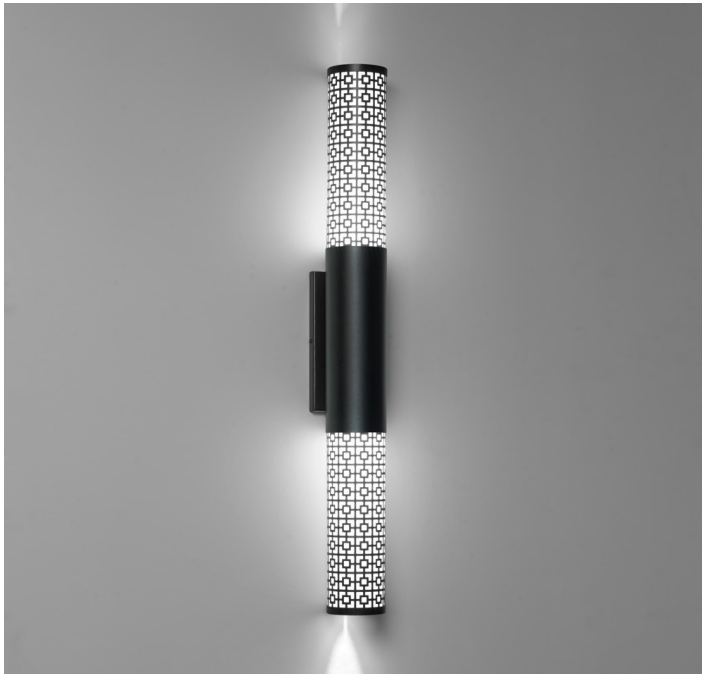


ULTRALIGHTS



PROFILES 20467

Complies with Americans with Disabilities Act

Base Specifications:

34"h x 4.75"w x 4"d

10: WRL - 2 x E26 - for LED Retro 20W max ea

Opal Acrylic Diffuser




ADA

Notes:

Horizontal mounting available

Opal Acrylic Diffuser Optional

Shown in: A1 - Angles

20467	-	-	-	-	-
MODEL	PERF	FINISH	DIFFUSER	LAMPING	
<p>Modifications:</p> <input type="checkbox"/> Horizontal mounting <input type="checkbox"/> No diffuser	<p>A1 - Angles</p>  <p>CL - Cloverleaf</p>  <p>RD - Round</p> 	<p>BA - Bronze Age BK - Black BP - Black Pearl CB - Cast Bronze CH - Chestnut CR - Chrome DI - Dark Iron EB - Empire Bronze MB - Medieval Bronze NB - New Brass SB - Smokey Brass SP - Satin Pewter SS - Smoked Silver</p> <p>DIFFUSER</p> <p>OA - Opal</p>		<p>10: WRL - 2 x E26 - for LED Retro 20W max ea (Par 20) 120V</p>	
<p>Other Modifications:</p> <div style="border: 1px solid black; height: 100px; width: 100%;"></div>					

Project Name:
Project Location:

Specifier Name:
Specifier Location:

Quantity:
Fixture Type:

WWW.ULTRALIGHTSLIGHTING.COM



320 S Plumer Avenue • Tucson, AZ 85719 • p +1 520 623 9829 • ir

425 Peachtree Hills Ave. NE #3 Atlanta, GA 30305
404.876.1064 sales@illumco.com