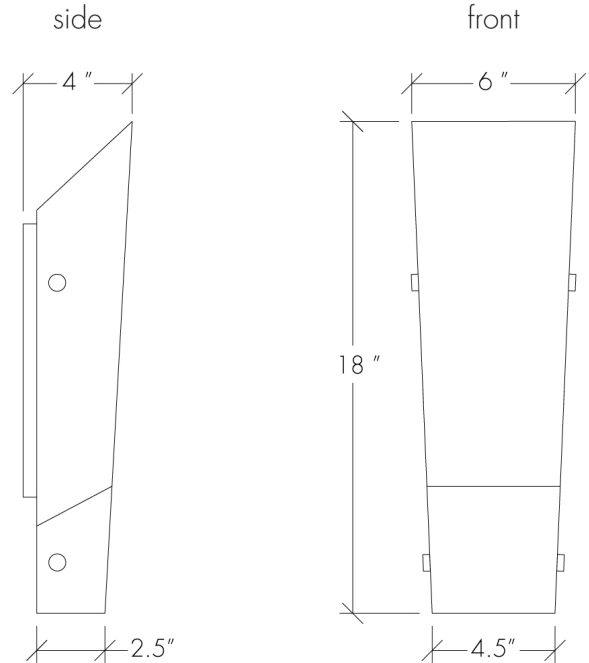


ULTRALIGHTS



EO 20450-18

Complies with Americans with Disabilities Act

Base Specifications:

18" h x 6" w x 4" d
 04: LED - 8.4W (Dim w/ 0-10V dim system)
 Opal Acrylic Diffuser
 ADA

Notes:

04 / 14 Lamping: Wattage and Lumens - Initial at the source

20450-18	-	-	-	-
MODEL		FINISH	DIFFUSER	LAMPING

Modifications:

- BA - Bronze Age
- BK - Black
- BP - Black Pearl
- CB - Cast Bronze
- CH - Chestnut
- CR - Chrome
- DI - Dark Iron
- EB - Empire Bronze
- MB - Medieval Bronze
- NB - New Brass
- SB - Smokey Brass
- SP - Satin Pewter
- SS - Smoked Silver

- OA - Opal
- PREMIUM
- CO - Caramel Onyx
- FA - Faux Alabaster
- TS - Tea Stained
- WS - White Swirl

- 04: Dry / Damp LED - 8.4W - 1181 Lumens (Non-Dim or Dim w/ 0-10V Dim system) - Universal
- 14: Dry / Damp LED - 8.4W - 1181 Lumens (Dim w/ Std Phase Dim) - 120V

COLOR TEMPERATURE / CRI

- 3000K (Standard) - CRI available upon request
- 2700K - CRI available upon request
- 3500K - CRI available upon request
- 4000K - CRI available upon request

Project Name:
Project Location:

Specifier Name:
Specifier Location:

Quantity:
Fixture Type:

WWW.ULTRALIGHTSLIGHTING.COM



320 S Plumer Avenue • Tucson, AZ 85719 • p +1 520 623 9829 • ir

425 Peachtree Hills Ave. NE #3 Atlanta, GA 30305
404.876.1064 sales@illumco.com