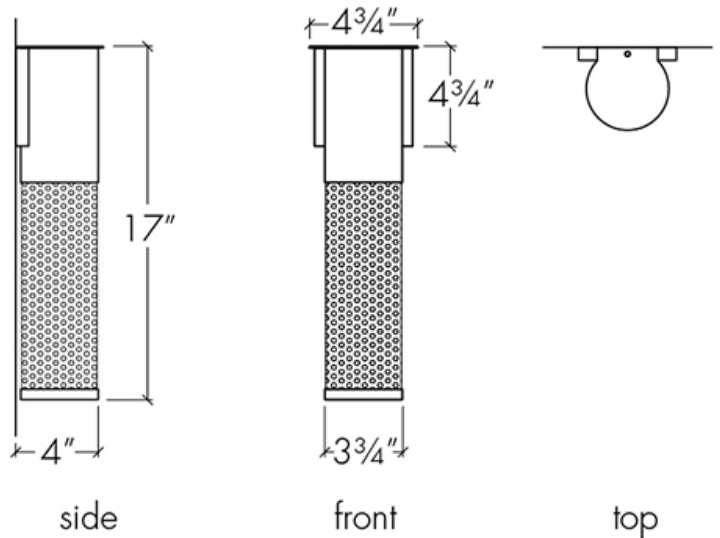


# ULTRALIGHTS



## PROFILES 19423

Complies with Americans with Disabilities Act

### Base Specifications:

17" h x 4.75" w x 4" d

10: WRL - 1 x E26 - for LED Retro 20W max

Opal Acrylic Diffuser

ADA

### Notes:

Uplight mounting available\*

<b>19423</b>	-	-	-
<b>MODEL</b>		<b>FINISH</b>	<b>DIFFUSER</b>
		<b>LAMPING</b>	

#### \*Modifications:

Uplight mounting

#### Other Modifications:

- BA - Bronze Age
- BK - Black
- BP - Black Pearl
- CB - Cast Bronze
- CH - Chestnut
- CR - Chrome
- DI - Dark Iron
- EB - Empire Bronze
- MB - Medieval Bronze
- NB - New Brass
- SB - Smokey Brass
- SP - Satin Pewter
- SS - Smoked Silver

- PREMIUM
- ANI - Ancient Iron

OA - Opal

10: WRL - 1 x E26 - for LED Retro 20W max (Par 20)  
120V

#### COLOR TEMPERATURE / CRI

- 3000K (Standard) - CRI available upon request
- 2700K - CRI available upon request
- 3500K - CRI available upon request
- 4000K - CRI available upon request

Project Name

Specifier Name  
Specifier Location

Quantity

WWW.ULTRALIGHTSLIGHTING.COM



320 S Plumer Avenue • Tucson, AZ 85719 • p +1 520 623 9829 • ir

425 Peachtree Hills Ave. NE #3 Atlanta, GA 30305  
404.876.1064 sales@illumco.com