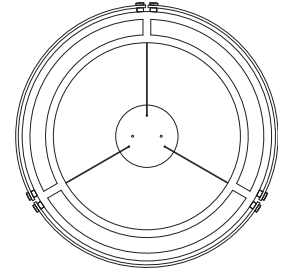


side



below

## STRATA 17375-24

### Base Specifications:

24" dia x 3"h x 22" - 96" adj OAH  
 04: LED - 35.7W (Dim w/ 0-10V dim system)  
 Opal Acrylic Top & Bottom Diffusers

### Notes:

Metal body, metal belt  
 Cable hung\*  
 04: Wattage / Lumens (Actual) at the source

<b>17375-24</b>	-	-	-
<b>MODEL</b>		<b>FINISH</b>	<b>DIFFUSER</b>

#### \*Modifications:

- Cable hung (Standard)
- Semi-flush mount (1" - 1.5" from ceiling to top of fixture)

#### Other Modifications:

- BA - Bronze Age
- BK - Black
- BP - Black Pearl
- CB - Cast Bronze
- CH - Chestnut
- CR - Chrome
- DI - Dark Iron
- EB - Empire Bronze
- MB - Medieval Bronze
- NB - New Brass
- SB - Smokey Brass
- SP - Satin Pewter
- SS - Smoked Silver

- PREMIUM
- ANI - Ancient Iron

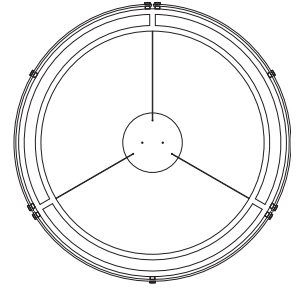
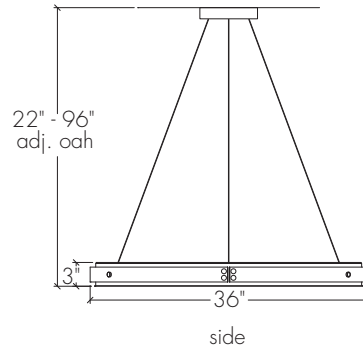
- OA - Opal
- PREMIUM
- CO - Caramel Onyx
- FA - Faux Alabaster
- TS - Tea Stained
- WS - White Swirl

- 04: Damp / Dry LED - 35.7W - 6069 Lumens (Non-Dim or Dim w/ 0-10V Dim system) - Universal

#### COLOR TEMPERATURE / CRI

- 3000K (Standard) - CRI available upon request
- 3500K - CRI available upon request
- 4000K - CRI available upon request
- 4500K - CRI available upon request

Project Name	Specifier Name Specifier Location	Quantity
--------------	--------------------------------------	----------



below

## STRATA 17375-36

### Base Specifications:

36" dia x 3"h x 22" - 96" adj OAH  
 04: LED - 58.4W (Dim w/ 0-10V dim system)  
 Opal Acrylic Top & Bottom Diffusers

### Notes:

Metal body, metal belt  
 Cable hung\*  
 04: Wattage / Lumens (Actual) at the source

<b>17375-36</b>	-	-	-
<b>MODEL</b>		<b>FINISH</b>	<b>DIFFUSER</b>

#### \*Modifications:

- Cable hung (Standard)
- Semi-flush mount (1" - 1.5" from ceiling to top of fixture)

#### Other Modifications:

- BA - Bronze Age
- BK - Black
- BP - Black Pearl
- CB - Cast Bronze
- CH - Chestnut
- CR - Chrome
- DI - Dark Iron
- EB - Empire Bronze
- MB - Medieval Bronze
- NB - New Brass
- SB - Smokey Brass
- SP - Satin Pewter
- SS - Smoked Silver

- PREMIUM
- ANI - Ancient Iron

OA - Opal

- PREMIUM
- CO - Caramel Onyx
- FA - Faux Alabaster
- TS - Tea Stained
- WS - White Swirl

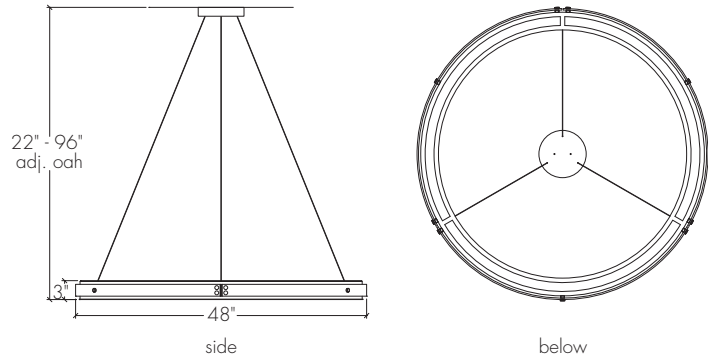
04: Damp / Dry LED - 58.4W - 9928 Lumens  
 (Non-Dim or Dim w/ 0-10V Dim system) - Universal

#### COLOR TEMPERATURE / CRI

- 3000K (Standard) - CRI available upon request
- 3500K - CRI available upon request
- 4000K - CRI available upon request
- 4500K - CRI available upon request

Project Name	Specifier Name Specifier Location	Quantity
--------------	--------------------------------------	----------

# ULTRALIGHTS



## STRATA 17375-48

### Base Specifications:

48"dia x 3"h x 22" - 96"adj OAH  
 04: LED - 80.4W (Dim w/ 0-10V dim system)  
 Opal Acrylic Top & Bottom Diffusers

### Notes:

Metal body, acrylic belt  
 Cable hung\*  
 04: Wattage / Lumens (Actual) at the source

<b>17375-48</b>	-	-	-
<b>MODEL</b>		<b>FINISH</b>	<b>DIFFUSER</b>

#### \*Modifications:

- Cable hung (Standard)
- Semi-flush mount (1" - 1.5" from ceiling to top of fixture)

#### Other Modifications:

- BA - Bronze Age
- BK - Black
- BP - Black Pearl
- CB - Cast Bronze
- CH - Chestnut
- CR - Chrome
- DI - Dark Iron
- EB - Empire Bronze
- MB - Medieval Bronze
- NB - New Brass
- SB - Smokey Brass
- SP - Satin Pewter
- SS - Smoked Silver
  
- PREMIUM
- ANI - Ancient Iron

- OA - Opal
  
- PREMIUM
- CO - Caramel Onyx
- FA - Faux Alabaster
- TS - Tea Stained
- WS - White Swirl

04: Damp / Dry LED - 80.4W - 13668 Lumens  
 (Non-Dim or Dim w/ 0-10V Dim system) - Universal

#### COLOR TEMPERATURE / CRI

- 3000K (Standard) - CRI available upon request
- 3500K - CRI available upon request
- 4000K - CRI available upon request
- 4500K - CRI available upon request

Project Name	Specifier Name Specifier Location	Quantity
--------------	--------------------------------------	----------

WWW.ULTRALIGHTSLIGHTING.COM



1936 E 18<sup>th</sup> St • Tucson, AZ 85719 • p +1 520 623 9829 • f +1 520 623 0088

425 Peachtree Hills Ave. NE #3 Atlanta, GA 30305  
 404.876.1064 sales@illumco.com