

INVIVTA 16354-24

Base Specifications:

24" dia x 5.75" d x 14" - 96" adj OAH
10: WRL - 4 x E26 - for LED retro 20W max ea

Notes:

Metal body, metal belt
Stem or semi-flush mount available

16354-24				
MODEL	FINISH (BODY)	FINISH (BELT)	LAMPING	VOLTAGE

Note of Modifications

BA - Bronze Age
BK - Black
BP - Black Pearl
CB - Cast Bronze
CH - Chestnut
CR - Chrome
DI - Dark Iron
EB - Empire Bronze
MB - Medieval Bronze
NB - New Brass
SB - Smokey Brass
SP - Satin Pewter
SS - Smoked Silver

PREMIUM
ANI - Ancient Iron
BCP - Burled Copper Plate
RCU - Raw Copper Unfinished

BA - Bronze Age
BK - Black
BP - Black Pearl
CB - Cast Bronze
CH - Chestnut
CR - Chrome
DI - Dark Iron
EB - Empire Bronze
MB - Medieval Bronze
NB - New Brass
SB - Smokey Brass
SP - Satin Pewter
SS - Smoked Silver

PREMIUM
ANI - Ancient Iron
BCP - Burled Copper Plate
RCU - Raw Copper Unfinished

03: Incan - 4 x E26 - 60W max ea
04: LED - 25W
(Non-Dim or Dim w/ 0-10V Dim system)
3850 Lumens
10: WRL - 4 x E26 - for LED Retro
20W max ea

03: 120V
04: Universal
10: 120V

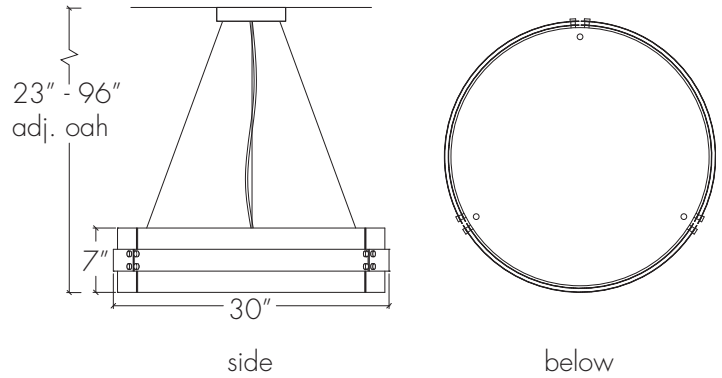
COLOR TEMPERATURE

- 3000K (Standard)
- 2700K
- 3500K
- 4000K

Project Name

Specifier Name
Specifier Location

Quantity



INVIVTA 16354-30

Base Specifications:

30" dia x 7" h x 23" - 96" adj OAH
 10: WRL - 4 x E26 - for LED retro 20W max ea

Notes:

Metal body, metal belt
 Stem or semi-flush mount available

16354-30				
MODEL	FINISH (BODY)	FINISH (BELT)	LAMPING	VOLTAGE

Note of Modifications

BA - Bronze Age
 BK - Black
 BP - Black Pearl
 CB - Cast Bronze
 CH - Chestnut
 CR - Chrome
 DI - Dark Iron
 EB - Empire Bronze
 MB - Medieval Bronze
 NB - New Brass
 SB - Smokey Brass
 SP - Satin Pewter
 SS - Smoked Silver

PREMIUM
 ANI - Ancient Iron
 BCP - Burled Copper Plate
 RCU - Raw Copper Unfinished

BA - Bronze Age
 BK - Black
 BP - Black Pearl
 CB - Cast Bronze
 CH - Chestnut
 CR - Chrome
 DI - Dark Iron
 EB - Empire Bronze
 MB - Medieval Bronze
 NB - New Brass
 SB - Smokey Brass
 SP - Satin Pewter
 SS - Smoked Silver

PREMIUM
 ANI - Ancient Iron
 BCP - Burled Copper Plate
 RCU - Raw Copper Unfinished

03: Incan - 4 x E26 - 60W max ea
 04: LED - 25W
 (Non-Dim or Dim w/ 0-10V Dim system)
 3850 Lumens
 10: WRL - 4 x E26 - for LED Retro
 20W max ea

03: 120V
 04: Universal
 10: 120V

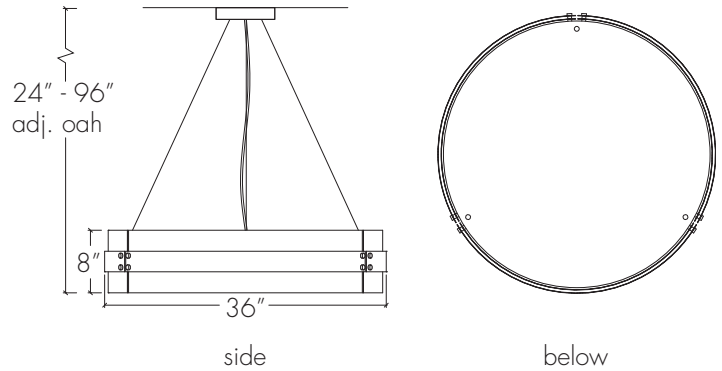
COLOR TEMPERATURE

- 3000K (Standard)
- 2700K
- 3500K
- 4000K

Project Name

Specifier Name
Specifier Location

Quantity



INVIVTA 16354-36

Base Specifications:

36" dia x 8"h x 24" - 96" adj OAH
 10: WRL - 8 x E26 - for LED retro 20W max ea

Notes:

Metal body, metal belt
 Stem or semi-flush mount available

16354-36				
MODEL	FINISH (BODY)	FINISH (BELT)	LAMPING	VOLTAGE

Note of Modifications

BA - Bronze Age
 BK - Black
 BP - Black Pearl
 CB - Cast Bronze
 CH - Chestnut
 CR - Chrome
 DI - Dark Iron
 EB - Empire Bronze
 MB - Medieval Bronze
 NB - New Brass
 SB - Smokey Brass
 SP - Satin Pewter
 SS - Smoked Silver

PREMIUM
 ANI - Ancient Iron
 BCP - Burled Copper Plate
 RCU - Raw Copper Unfinished

BA - Bronze Age
 BK - Black
 BP - Black Pearl
 CB - Cast Bronze
 CH - Chestnut
 CR - Chrome
 DI - Dark Iron
 EB - Empire Bronze
 MB - Medieval Bronze
 NB - New Brass
 SB - Smokey Brass
 SP - Satin Pewter
 SS - Smoked Silver

PREMIUM
 ANI - Ancient Iron
 BCP - Burled Copper Plate
 RCU - Raw Copper Unfinished

03: Incan - 8 x E26 - 60W max ea
 04: LED - 44.4W
 (Non-Dim or Dim w/ 0-10V Dim system)
 6960 Lumens
 10: WRL - 8 x E26 - for LED Retro
 20W max ea

03: 120V
 04: Universal
 10: 120V

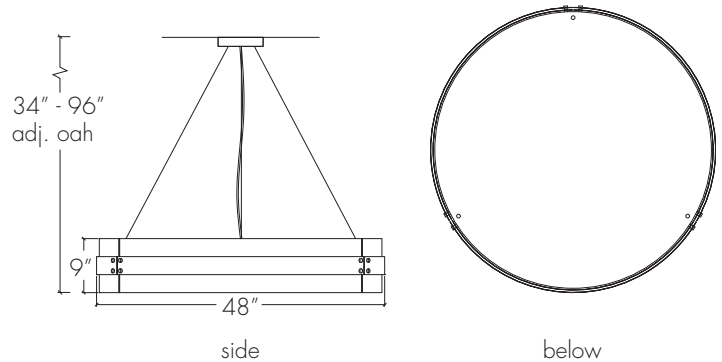
COLOR TEMPERATURE

- 3000K (Standard)
- 2700K
- 3500K
- 4000K

Project Name

Specifier Name
Specifier Location

Quantity



INVIVTA 16354-48

Base Specifications:

48" dia x 9"h x 34" - 96" adj OAH
 10: WRL - 8 x E26 - for LED retro 20W max ea

Notes:

Metal body, metal belt
 Stem or semi-flush mount available

16354-48				
MODEL	FINISH (BODY)	FINISH (BELT)	LAMPING	VOLTAGE

Note of Modifications

BA - Bronze Age
 BK - Black
 BP - Black Pearl
 CB - Cast Bronze
 CH - Chestnut
 CR - Chrome
 DI - Dark Iron
 EB - Empire Bronze
 MB - Medieval Bronze
 NB - New Brass
 SB - Smokey Brass
 SP - Satin Pewter
 SS - Smoked Silver

PREMIUM
 ANI - Ancient Iron
 BCP - Burled Copper Plate
 RCU - Raw Copper Unfinished

BA - Bronze Age
 BK - Black
 BP - Black Pearl
 CB - Cast Bronze
 CH - Chestnut
 CR - Chrome
 DI - Dark Iron
 EB - Empire Bronze
 MB - Medieval Bronze
 NB - New Brass
 SB - Smokey Brass
 SP - Satin Pewter
 SS - Smoked Silver

PREMIUM
 ANI - Ancient Iron
 BCP - Burled Copper Plate
 RCU - Raw Copper Unfinished

03: Incan - 8 x E26 - 60W max ea
 04: LED - 44.4W
 (Non-Dim or Dim w/ 0-10V Dim system)
 6960 Lumens
 10: WRL - 8 x E26 - for LED Retro
 20W max ea

03: 120V
 04: Universal
 10: 120V

COLOR TEMPERATURE

- 3000K (Standard)
- 2700K
- 3500K
- 4000K

Project Name

Specifier Name
Specifier Location

Quantity