

## CLARUS 14315

### Base Specifications:

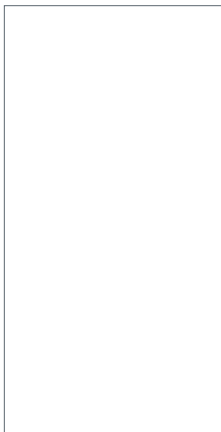
12"square x 12"h x 22" - 96"adj OAH  
 10: WRL - 1 x E26 - for LED retro 20W max  
 Retro Style Filament Bulb Recommended

### Notes:

Stem or semi-flush mount available  
 Shown in: Squares / Black

14315	-		-		-		-	
MODEL		PERF		FINISH		LAMPING		VOLTAGE

### Note of Modifications



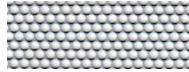
#### A1 - Angles



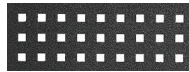
#### CL - Cloverleaf



#### RD - Round



#### SQ - Squares



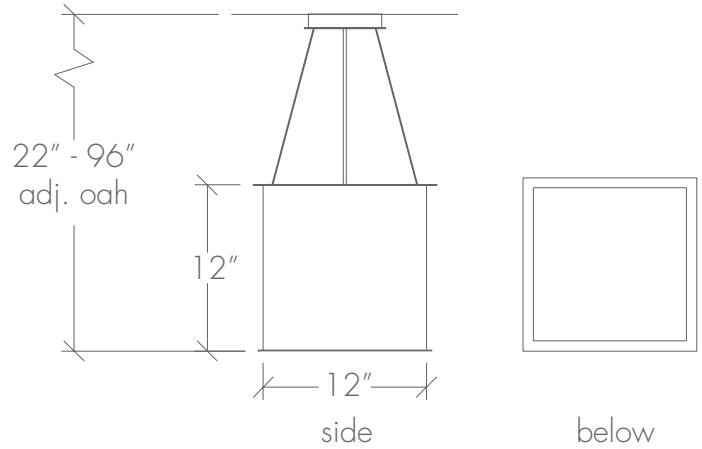
- BA - Bronze Age
- BK - Black
- BP - Black Pearl
- CB - Cast Bronze
- CH - Chestnut
- CR - Chrome
- DI - Dark Iron
- EB - Empire Bronze
- MB - Medieval Bronze
- NB - New Brass
- SB - Smokey Brass
- SP - Satin Pewter
- SS - Smoked Silver

- 03: Incan - 1 x E26 - 60W max ea
- 10: WRL - 1 x E26 - for LED Retro 20W max ea

- 03: 120V
- 10: 120V

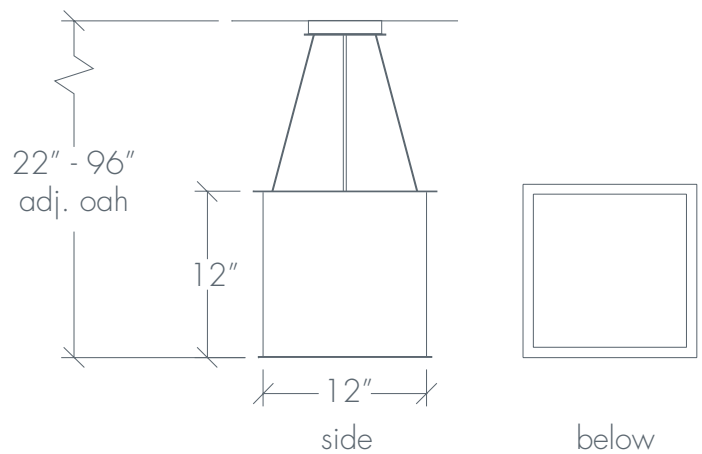
Project Name	Specifier Name Specifier Location	Quantity
--------------	--------------------------------------	----------

# ULTRALIGHTS



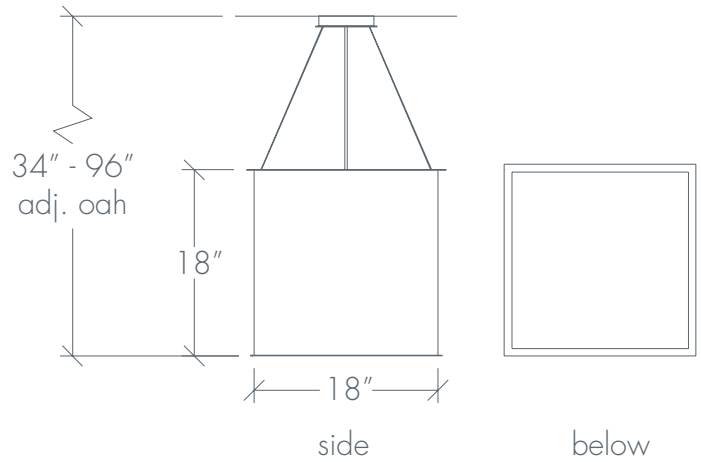
CLARUS 14315

Shown in: Angles / Bronze Age



CLARUS 14315

Shown in: Cloverleaf / Dark Iron



## CLARUS 14317

### Base Specifications:

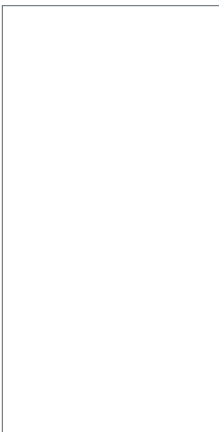
18"square x 18"h x 34" - 96"adj OAH  
 10: WRL - 4 x E26 - for LED retro 20W max ea  
 Retro Style Filament Bulb Recommended

### Notes:

Stem or semi-flush mount available  
 Shown in: Cloverleaf / Satin Pewter

14317	-		-		-		-	
MODEL		PERF		FINISH		LAMPING		VOLTAGE

### Note of Modifications



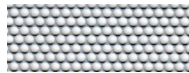
A1 - Angles



CL - Cloverleaf



RD - Round



SQ - Squares



- BA - Bronze Age
- BK - Black
- BP - Black Pearl
- CB - Cast Bronze
- CH - Chestnut
- CR - Chrome
- DI - Dark Iron
- EB - Empire Bronze
- MB - Medieval Bronze
- NB - New Brass
- SB - Smokey Brass
- SP - Satin Pewter
- SS - Smoked Silver

- 03: Incan - 4 x E26 - 60W max ea
- 10: WRL - 4 x E26 - for LED Retro 20W max ea

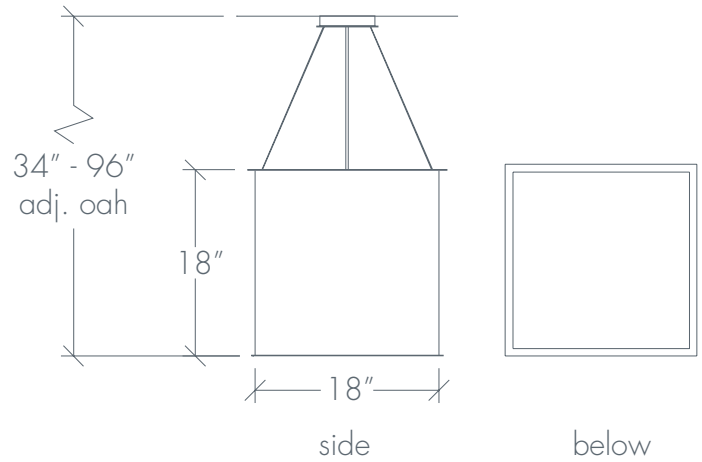
- 03: 120V
- 10: 120V

Project Name

Specifier Name  
 Specifier Location

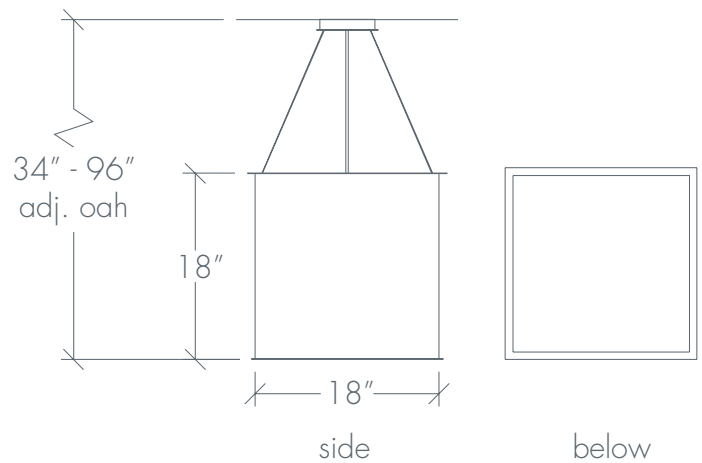
Quantity

# ULTRALIGHTS



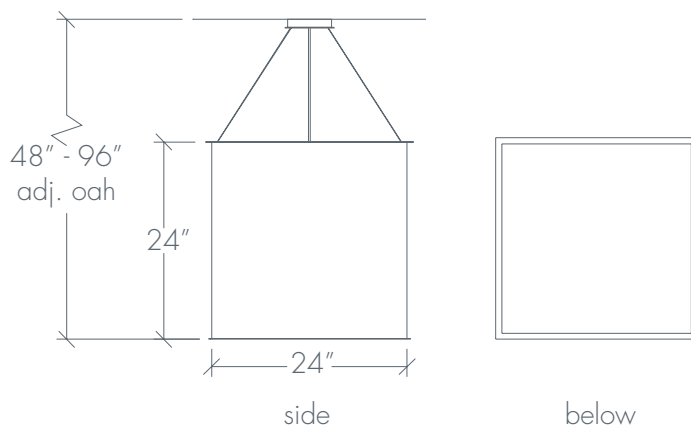
CLARUS 14317

Shown in: Squares / Satin Pewter



CLARUS 14317

Shown in: Angles / Chestnut



## CLARUS 14319

### Base Specifications:

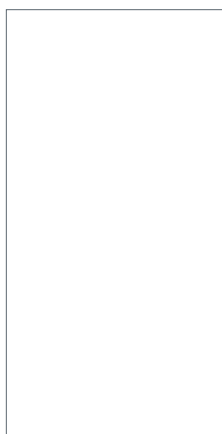
24"square x 24"h x 48" - 96"adj OAH  
 10: WRL - 4 x E26 - for LED retro 20W max ea  
 Retro Style Filament Bulb Recommended

### Notes:

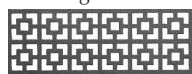
Stem or semi-flush mount available  
 Shown in: Angles / Bronze Age

14319	-		-		-		-	
MODEL		PERF		FINISH		LAMPING		VOLTAGE

### Note of Modifications



A1 - Angles



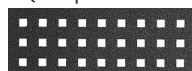
CL - Cloverleaf



RD - Round



SQ - Squares

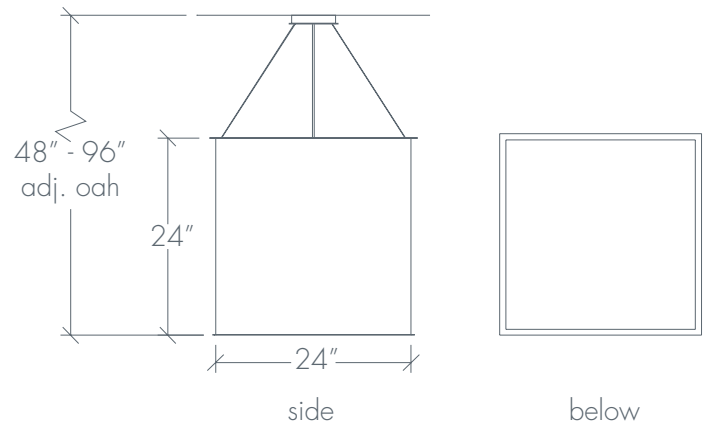


- BA - Bronze Age
- BK - Black
- BP - Black Pearl
- CB - Cast Bronze
- CH - Chestnut
- CR - Chrome
- DI - Dark Iron
- EB - Empire Bronze
- MB - Medieval Bronze
- NB - New Brass
- SB - Smokey Brass
- SP - Satin Pewter
- SS - Smoked Silver

- 03: Incan - 4 x E26 - 60W max ea
- 10: WRL - 4 x E26 - for LED Retro 20W max ea

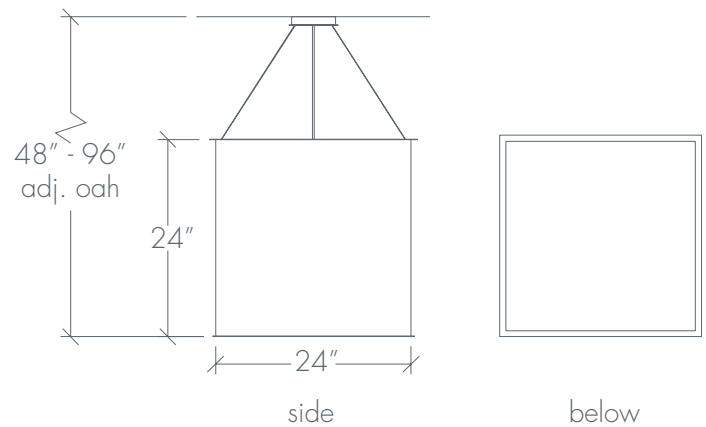
- 03: 120V
- 10: 120V

# ULTRALIGHTS



CLARUS 14319

Shown in: Cloverleaf / Black



CLARUS 14319

Shown in: Squares / Cast Bronze