

SYNERGY 0482-18

Base Specifications:

18"dia x 4.75"h x 47.5" OAH
 03: Incan - 2 x E12 candelabra - 60W max ea
 Opal Acrylic Diffuser

Notes:

Chain hung*
 04 Lamping: Lumens (Actual) at the source

0482-18			
MODEL	FINISH	DIFFUSER	LAMPING

*Modifications:

- Cable hung
- Stem mount: ____ OAH
- Semi-flush mount (1" - 1.5" from ceiling to top of fixture)
- Top diffuser (LED only)

Other Modifications:

- BA - Bronze Age
- BK - Black
- BP - Black Pearl
- CB - Cast Bronze
- CH - Chestnut
- CR - Chrome
- DI - Dark Iron
- EB - Empire Bronze
- MB - Medieval Bronze
- NB - New Brass
- SB - Smokey Brass
- SP - Satin Pewter
- SS - Smoked Silver

- PREMIUM
- ANI - Ancient Iron

- OA - Opal

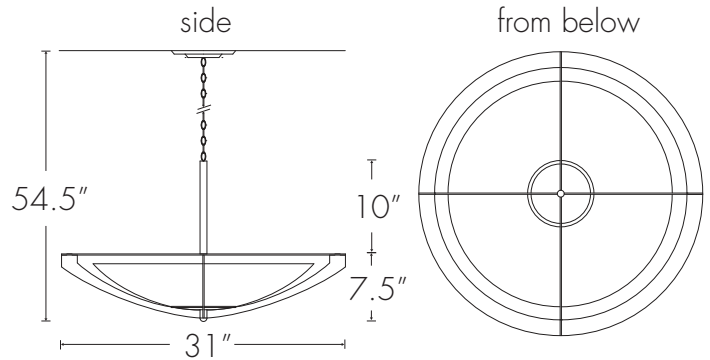
- PREMIUM
- CO - Caramel Onyx
- FA - Faux Alabaster
- TS - Tea Stained
- WS - White Swirl

- 03: Damp / Dry Loc Incan - 2 x E12 candelabra
60W max ea - 120V
- 04: Damp / Dry LED - 18.56W - 2859 Lumens
(Non-Dim or Dim w/ 0-10V Dim system) - Universal

COLOR TEMPERATURE / CRI

- 3000K (Standard) - CRI available upon request
- 2700K - CRI available upon request
- 3500K - CRI available upon request
- 4000K - CRI available upon request

Project Name	Specifier Name Specifier Location	Quantity
--------------	--------------------------------------	----------



SYNERGY 0482-31

Base Specifications:

31" dia x 7.5"h x 54.5" OAH

10: WRL - 4 x E26 - for LED Retro 20W max ea
Opal Acrylic Diffuser

Notes:

Chain hung*

04 Lamping: Wattage / Lumens (Actual) at the source

0482-31	-	-	-
MODEL	FINISH	DIFFUSER	LAMPING

*Modifications:

- Cable hung
- Stem mount (___ OAH)
- Semi-flush mount (1" - 1.5" from ceiling to top of fixture)
- Top diffuser (LED only)

Other Modifications:

- BA - Bronze Age
- BK - Black
- BP - Black Pearl
- CB - Cast Bronze
- CH - Chestnut
- CR - Chrome
- DI - Dark Iron
- EB - Empire Bronze
- MB - Medieval Bronze
- NB - New Brass
- SB - Smokey Brass
- SP - Satin Pewter
- SS - Smoked Silver

- PREMIUM
- ANI - Ancient Iron

- OA - Opal
- PREMIUM
- CO - Caramel Onyx
- FA - Faux Alabaster
- TS - Tea Stained
- WS - White Swirl

- 03: Damp / Dry Loc Incan - 4 x E26 - 60W max ea - 120V
- 04: Damp / Dry LED - 40.5W - 6232 Lumens (Non-Dim or Dim w/ 0-10V Dim system) - Universal
- 10: WRL - 4 x E26 - for LED Retro 20W max ea - 120V

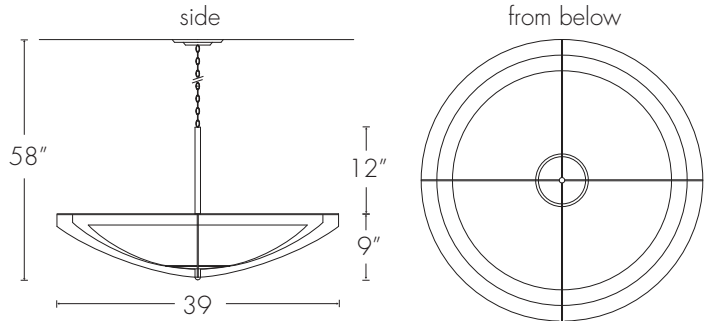
COLOR TEMPERATURE / CRI

- 3000K (Standard) - CRI available upon request
- 2700K - CRI available upon request
- 3500K - CRI available upon request
- 4000K - CRI available upon request

Project Name

Specifier Name
Specifier Location

Quantity



SYNERGY 0482-39

Base Specifications:

39" dia x 9"h x 58" OAH

10: WRL - 4 x E26 - for LED Retro 20W max ea
Opal Acrylic Diffuser

Notes:

Chain hung*

04 Lamping: Wattage / Lumens (Actual) at the source

0482-39	-	-	-
MODEL	FINISH	DIFFUSER	LAMPING

*Modifications:

- Cable hung
- Stem mount (___ OAH)
- Semi-flush mount (1" - 1.5" from ceiling to top of fixture)
- Top diffuser (LED only)

Other Modifications:

- BA - Bronze Age
- BK - Black
- BP - Black Pearl
- CB - Cast Bronze
- CH - Chestnut
- CR - Chrome
- DI - Dark Iron
- EB - Empire Bronze
- MB - Medieval Bronze
- NB - New Brass
- SB - Smokey Brass
- SP - Satin Pewter
- SS - Smoked Silver

- PREMIUM
- ANI - Ancient Iron

- OA - Opal
- PREMIUM
- CO - Caramel Onyx
- FA - Faux Alabaster
- TS - Tea Stained
- WS - White Swirl

- 03: Damp / Dry Loc Incan - 4 x E26 - 60W max ea - 120V
- 04: Damp / Dry LED - 40.5W - 6232 Lumens (Non-Dim or Dim w/ 0-10V Dim system) - Universal
- 10: WRL - 4 x E26 - for LED Retro 20W max ea - 120V

COLOR TEMPERATURE / CRI

- 3000K (Standard) - CRI available upon request
- 2700K - CRI available upon request
- 3500K - CRI available upon request
- 4000K - CRI available upon request

Project Name	Specifier Name Specifier Location	Quantity
--------------	--------------------------------------	----------