

SYNERGY 0480-18

Base Specifications:

18" dia x 4.75" h

03: Incan - 2 x E12 candelabra - 60W max ea
Opal Acrylic Diffuser

Notes:

Flush ceiling mount

04 Lamping: Lumens (Actual) at the source

0480-18	-		-		-	
MODEL		FINISH		DIFFUSER		LAMPING

Modifications:

- BA - Bronze Age
- BK - Black
- BP - Black Pearl
- CB - Cast Bronze
- CH - Chestnut
- CR - Chrome
- DI - Dark Iron
- EB - Empire Bronze
- MB - Medieval Bronze
- NB - New Brass
- SB - Smokey Brass
- SP - Satin Pewter
- SS - Smoked Silver

- PREMIUM
- ANI - Ancient Iron

- OA - Opal
- PREMIUM
- CO - Caramel Onyx
- FA - Faux Alabaster
- TS - Tea Stained
- WS - White Swirl

- 03: Damp / Dry Loc Incan - 2 x E12 candelabra
60W max ea - 120V
- 04: Damp / Dry LED - 18.56W - 2859 Lumens
(Non-Dim or Dim w/ 0-10V Dim system) - Universal

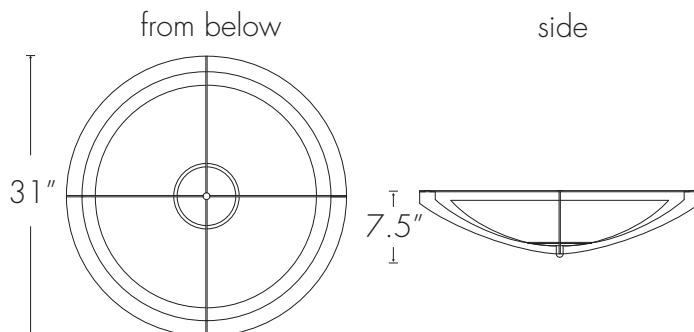
COLOR TEMPERATURE / CRI

- 3000K (Standard) - CRI available upon request
- 2700K - CRI available upon request
- 3500K - CRI available upon request
- 4000K - CRI available upon request

Project Name

Specifier Name
Specifier Location

Quantity



SYNERGY 0480-31

Base Specifications:

31" dia x 7.5" h

10: WRL - 4 x E26 - for LED Retro 20W max ea

Opal Acrylic Diffuser

Notes:

Flush ceiling mount

04 Lamping: Lumens (Actual) at the source

0480-31	-		-		-	
MODEL		FINISH		DIFFUSER		LAMPING

<p>Modifications:</p>

- BA - Bronze Age
- BK - Black
- BP - Black Pearl
- CB - Cast Bronze
- CH - Chestnut
- CR - Chrome
- DI - Dark Iron
- EB - Empire Bronze
- MB - Medieval Bronze
- NB - New Brass
- SB - Smokey Brass
- SP - Satin Pewter
- SS - Smoked Silver

- PREMIUM
- ANI - Ancient Iron

- OA - Opal

- PREMIUM
- CO - Caramel Onyx
- FA - Faux Alabaster
- TS - Tea Stained
- WS - White Swirl

- 03: Damp / Dry Loc Incan - 4 x E26 - 60W max ea - 120V
- 04: Damp / Dry LED - 40.5W - 6232 Lumens
(Non-Dim or Dim w/ 0-10V Dim system) - Universal
- 10: WRL - 4 x E26 - for LED Retro 20W max ea - 120V

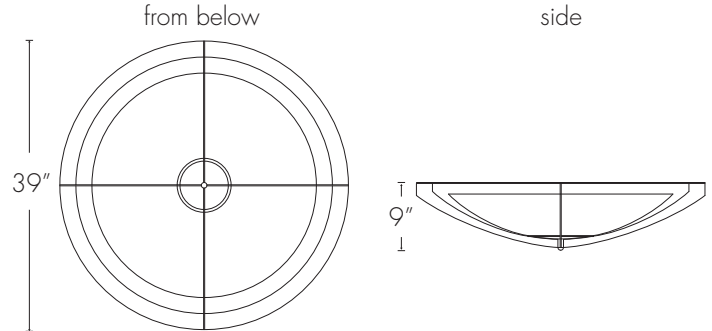
COLOR TEMPERATURE / CRI

- 3000K (Standard) - CRI available upon request
- 2700K - CRI available upon request
- 3500K - CRI available upon request
- 4000K - CRI available upon request

Project Name

Specifier Name
Specifier Location

Quantity



SYNERGY 0480-39

Base Specifications:

39" dia x 9"h

10: WRL - 4 x E26 - for LED Retro 20W max ea
Opal Acrylic Diffuser

Notes:

Flush ceiling mount

04 Lamping: Lumens (Actual) at the source

0480-39	-		-		-	
MODEL		FINISH		DIFFUSER		LAMPING

<p>Modifications:</p>

- BA - Bronze Age
- BK - Black
- BP - Black Pearl
- CB - Cast Bronze
- CH - Chestnut
- CR - Chrome
- DI - Dark Iron
- EB - Empire Bronze
- MB - Medieval Bronze
- NB - New Brass
- SB - Smokey Brass
- SP - Satin Pewter
- SS - Smoked Silver

- PREMIUM
- ANI - Ancient Iron

- OA - Opal

- PREMIUM
- CO - Caramel Onyx
- FA - Faux Alabaster
- TS - Tea Stained
- WS - White Swirl

- 03: Damp / Dry Loc Incan - 4 x E26 - 60W max ea - 120V
- 04: Damp / Dry LED - 40.5W - 6232 Lumens
(Non-Dim or Dim w/ 0-10V Dim system) - Universal
- 10: WRL - 4 x E26 - for LED Retro 20W max ea - 120V

COLOR TEMPERATURE / CRI

- 3000K (Standard) - CRI available upon request
- 2700K - CRI available upon request
- 3500K - CRI available upon request
- 4000K - CRI available upon request

Project Name

Specifier Name
Specifier Location

Quantity