

Mizu, flowing *light*.

design Nicolas Terzani
terzani.com

TERZANI
LA LUCE PENSATA



Product Name
Mizu
3 light pendant

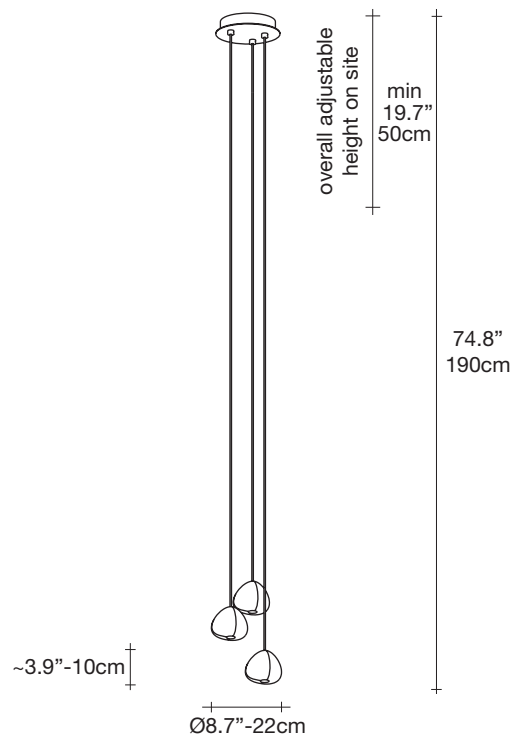
Materials
crystal



Finishes | Code

-  clear
OR03S H4 A9
-  champagne
OR03S E8 H1
-  cognac
OR03S E8 H4
-  silver dust
OR03S H4 F4
-  gold
OR03S E8 A4

Body



Light source options

120V ~ 50/60Hz

 XENON
3 x 10W G4 12V

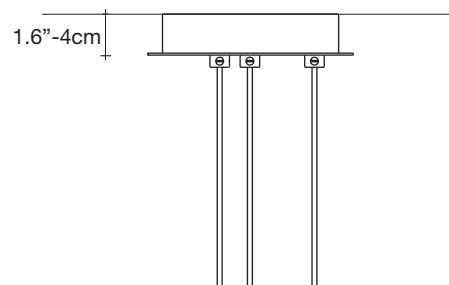
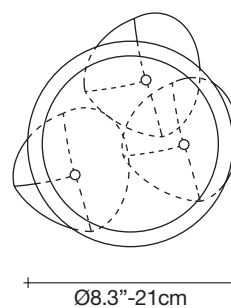
or

 LED
3 x 2W G4 12V

dimnable options

 ELV

Canopy | white or brushed nickel



Inspired by the tranquil and mesmerizing light refractions created by water, Mizu is a customizable pendant light from Terzani. Like water droplets, no two Mizu are alike, each crystal shape is unique and made meticulously by hand. Using only the clearest crystal, Mizu perfectly emulates water's refraction of light, casting amazing patterns around the room, reminiscent of flowing water. Also available in gold leaf. Design Nicolas Terzani