

Frame, Nature's, *Imprint.*

design Terzani Lab
terzani.com



Type | Pendant
Materials | Clear

Finishes | **Code**

White Clear  0Q01S E8 A9

Coral Clear  0Q01S H1 A9

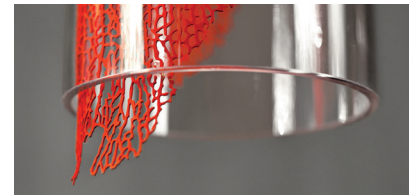
Silver Clear  0Q01S G7 A9

Gold Clear  0Q01S L6 A9

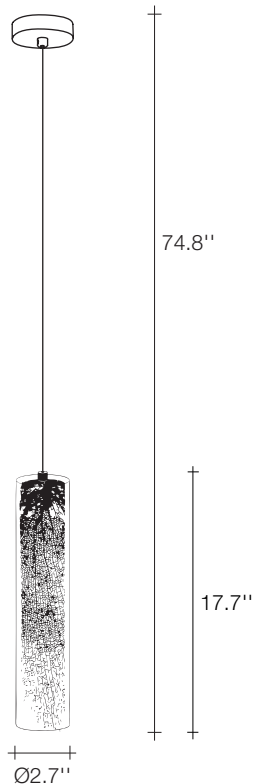
Light Source |



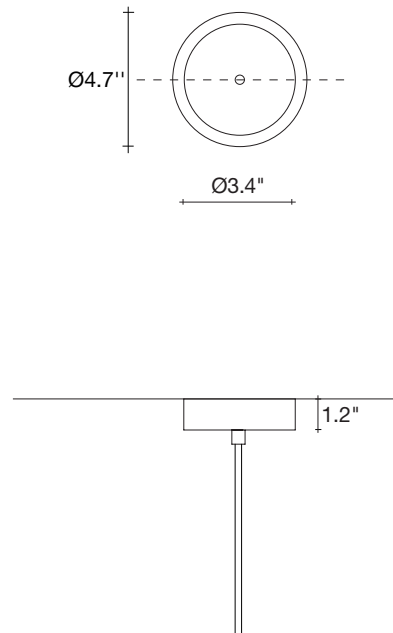
Capturing a moment in time, Frame features a metal coral leaf, enclosed inside a borosilicate glass preserving a delicate imprint of nature. Hidden inside is a single bulb which glows from within. Creating a stirring light that projects a dynamic shadow due to the permeable coral. Frame is available in white, red, gold plated or silver plated. Design Terzani Lab.



Body |



Canopy |



Frame, Nature's, *Imprint.*

design Terzani Lab
terzani.com



Type | Pendant
Materials | Clear

Finishes | **Code**

White Clear  0QQ2S E8 A9

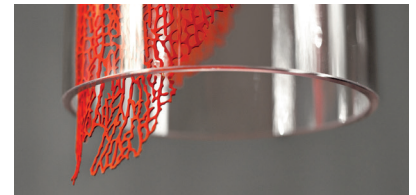
Coral Clear  0QQ2S H1 A9

Silver Clear  0QQ2S G7 A9

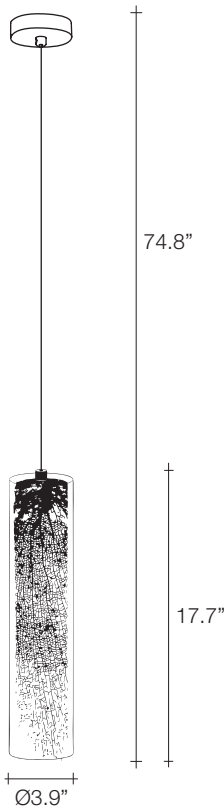
Gold Clear  0QQ2S L6 A9

Capturing a moment in time, Frame features a metal coral leaf, enclosed inside a borosilicate glass preserving a delicate imprint of nature. Hidden inside is a single bulb which glows from within. Creating a stirring light that projects a dynamic shadow due to the permeable coral. Frame is available in white, red, gold plated or silver plated. Design Terzani Lab.

Light Source |



Body |



Canopy |

