

HUGO FLOOR

DESIGN BY SLAMP CREATIVE DEPARTMENT

TECHNICAL SPECIFICATIONS

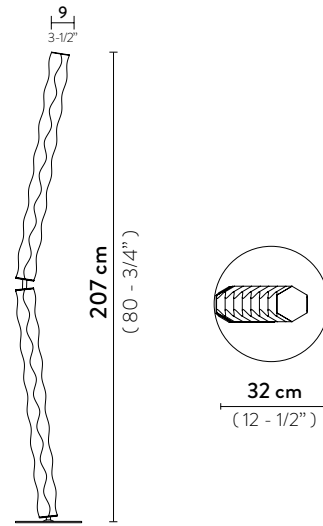


FLOOR LAMP

LED: 40W -100~240Vac/24Vdc - 7.000 lumen - 3000 K

With: Dimmer

Made of: Lentiflex® - Stainless steel

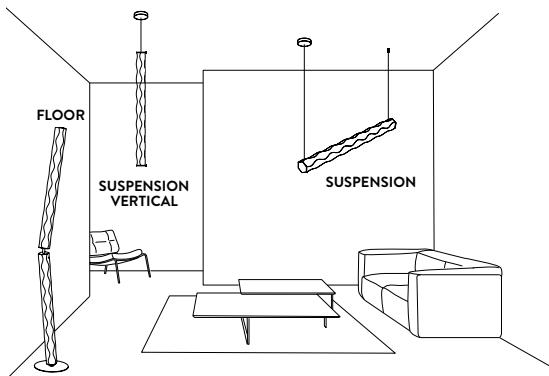


Made of: Lentiflex®

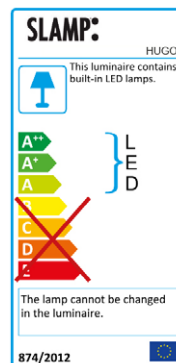
CE IP 20

Color: PRISMA

HUGO ENTIRE COLLECTION



ENERGY CLASS



DETAILS

