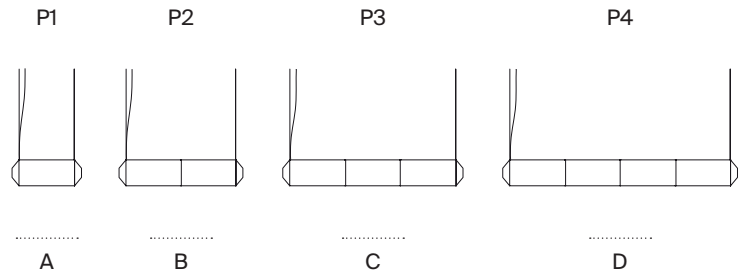


## Tekiò Horizontal

Anthony Dickens. 2017  
Pendant lamps

  
SANTA & COLE



Tekiò ('adaptation' in Japanese) consists of a lighting system based on LED wstructures covered with paper modules. By combining various modules, Tekiò presents vertical pendant lamps, horizontal lines and circles.

In its design Anthony Dickens was inspired by the traditional Japanese paper lantern that is ubiquitous throughout Asia, and in its production Santa & Cole has worked with some of Japan's best craftsmen, combining traditional processes, high quality materials and new technologies.

Paper is a ductile, even malleable material; its folds makes it more resistant and time alters and improves its translucence.

### General description:

White S&C metal structure with matte finish.

Washi Japanese paper shade.

2 options of white S&C metal canopy with power supply incorporated: circular or rectangular.

Methacrylate inner diffuser.

Electric cable length: 5 m / 196.8"

### Light source:

Light source included.

(A) Strip of 204 LEDs  
Power system: 43 W / UL-34 W  
Luminous flux: 1.251 lm

(B) Strip of 368 LEDs  
Power system: 73 W / UL-56 W  
Luminous flux: 2.190 lm

(C) Strip of 532 LEDs  
Power system: 100 W / UL-73 W  
Luminous flux: 3.128 lm

(D) Strip of 696 LEDs  
Power system: 120 W / UL-87 W  
Luminous flux: 4.067 lm

(A, B, C, D)  
Operating voltage: 24VDC  
T<sup>a</sup> Colour: 2.200K - 2.700K  
CRI: 85  
Lifetime: 40.000 h

Built-in LED  
Suitable for dimming 1-10V / UL 0-10V. (Not included external dimmer switch 1-10V / UL 0-10V). Warm dim control 2200K - 2700K.  
Energy efficiency class (E.E.C): A<sup>++</sup>... A.  
Suitable only for indoor use.  
Always use this light source.

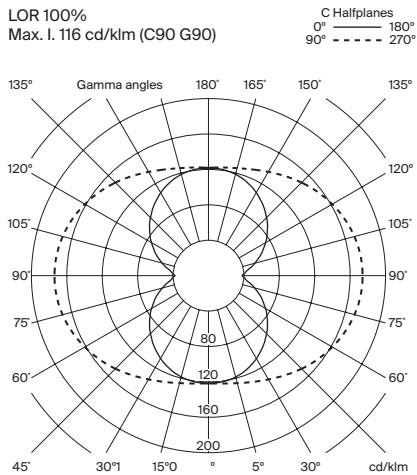
Input voltage:  
CE: 220 ~ 240 Vac.  
UL: 120 ~ 277 Vac.  
Japan: 100 Vac.  
(50 Hz / 60 Hz). According to destination.

## Tekiò Horizontal

Anthony Dickens. 2017

Pendant lamps

  
SANTA & COLE



### Approximate weight (unpacked):

- (A) Tekiò Horizontal P1: 3 Kg / 6.6 lb
- (B) Tekiò Horizontal P2: 4,5 Kg / 9.9 lb
- (C) Tekiò Horizontal P3: 6 Kg / 13.2 lb
- (D) Tekiò Horizontal P4: 7,5 Kg / 16.5 lb

### Regulations:

CE  
UNE-EN 60598  
UNE-EN 55015  
UNE-EN 60529

### UL

Dry location only  
UL-1598  
UL-8750  
E-336377

### Maintenance:

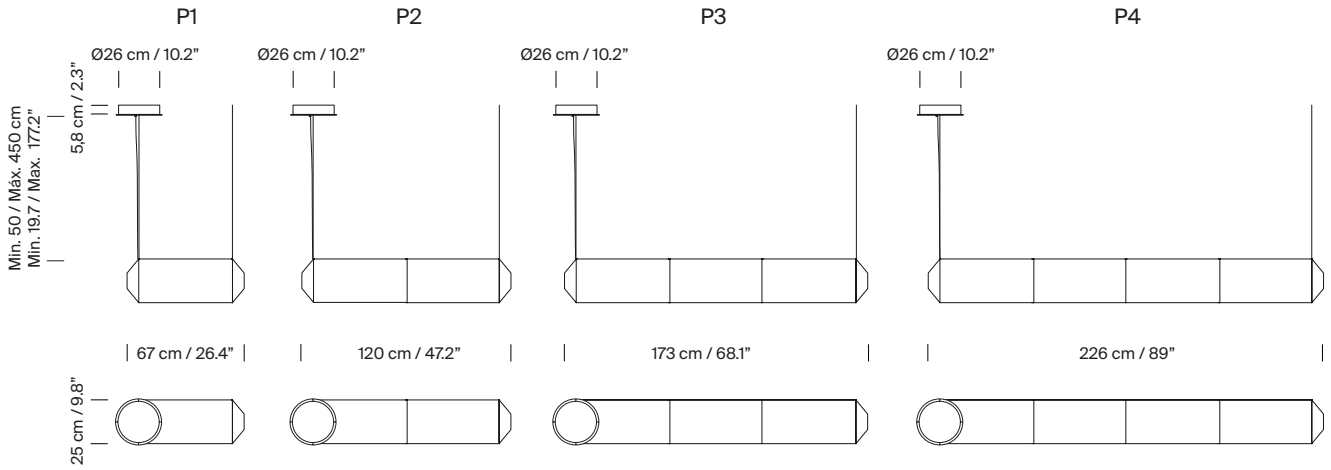
Clean with a smooth cloth. Do not use ammonia, solvents or abrasive cleaning products. Do not expose to oil vapors or fats.

### Others:

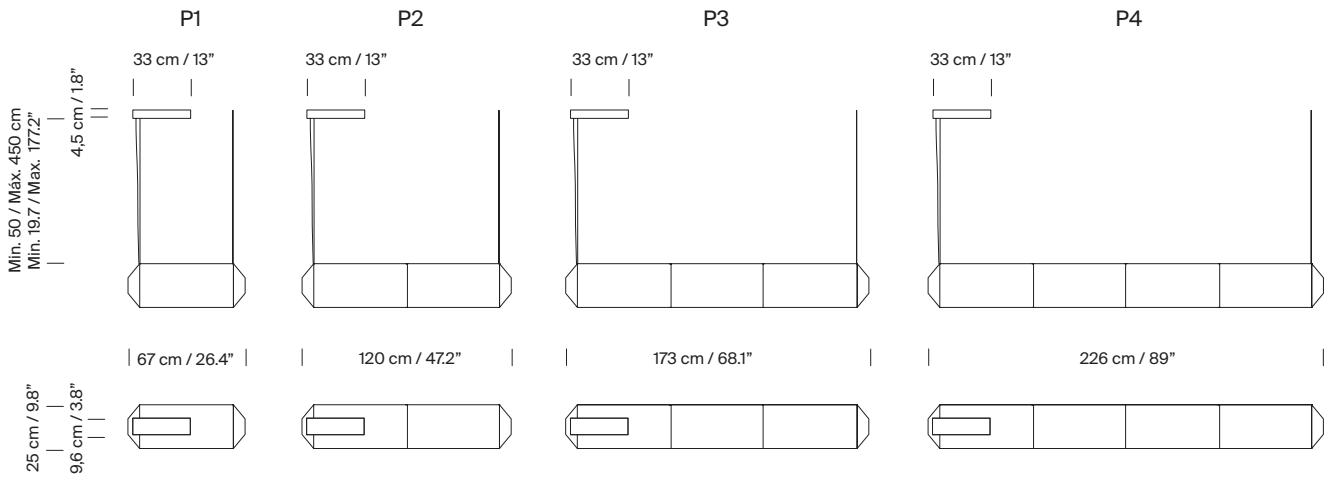
The lamp is delivered in different packages.  
The assembly instructions are delivered with the product.

**Models:** Tekiò Horizontal

Circular canopy



Rectangular canopy



**Collection:**  
 Pendant lamps



Tekiò Vertical



Tekiò Horizontal



Tekiò Circular