

## Cirio Múltiple

Antoni Arola. 2010  
Pendant lamps

  
SANTA & COLE



Porcelain



Glass



Brass



Cirio Múltiple features a single rosette fixture holding a cluster of wires. Shades can be freely hung from hooks wherever they are wanted. Six to twelve points of light come from one ceiling plate and are long enough to cover large halls or stairways, creating various atmospheres within the same space.

The shade, beautifully designed, is reminiscent of a candle for its shape, texture and the warmth of its light. The varying shades combined with LED capsules can be used to create different atmospheres: from the porcelain of Sargadelos (Galicia, Spain) that creates candle-like warmth, to translucent opal glass, and the opaque elegance of brass.

Cirio is a system that provides customisable solutions for vertical lighting by combining structures, shades and light textures. The pendant lamp can be used alone or arranged in rows or clusters to illuminate larger areas, in forms such as the Chandelier, Cascada, Circular, Lineal, Oval or Múltiple. A perfect combination of repeated elements. The fusion of technology and tradition; innovation through craftsmanship. A truly unique lighting experience.

### General description:

Capsule with LED module, translucent white diffuser and heat sink with black matte finish.

3 lampshade options: white porcelain, white opal glass and polished brass.

3 metal circular ceiling plate options with power supply incorporated for a minimum of 6 and a maximum of 12 light sources:

Surface-mounted: white or black with matte finish.

Recessed (CE market): white.

S&C LED capsule suitable with HeadLed System lampshades.

Suitable for Junction Box (UL market).

Electric cable length: 3 m / 118.1" - 8 m / 315"

### Approximate weight (unpacked):

Porcelain lampshade: 8 Kg / 17.5 lb

Lampshades:

Porcelain: 0,5 kg / 1.1 lb

Glass: 0,6 kg / 1.3 lb

Brass: 0,3 Kg / 0.7 lb

## Cirio Múltiple

Antoni Arola. 2010  
Pendant lamps

### Technical information:

Light source included (dimmable):  
LED module

Rated input wattage: 6/12 x 7,7 W  
Operating current: 700 mA  
Colour Temp.: 2.700 K  
CRI: 90  
Lifetime: 40.000 h  
Luminous flux:  
Porcelain: 6/12 x 222 lm  
Glass: 6/12 x 655 lm  
Brass: 6/12 x 237 lm

Built-in LED.

Suitable for dimming 1-10V. (Not included external dimmer switch 1-10V).

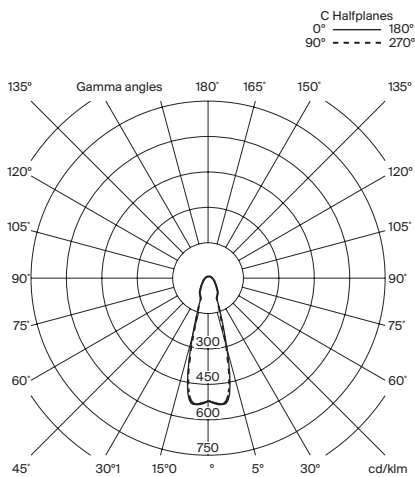
Energy efficiency class (E.E.C): A++...A.

Suitable only for indoor use.

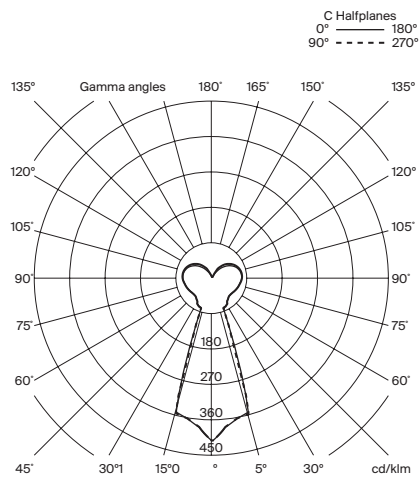
Input voltage: 120 ~ 277 Vac.

(50 Hz / 60 Hz). According to destination.

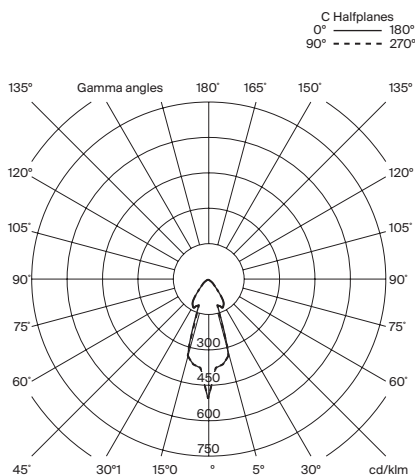
### White porcelain lampshade



### White opal glass lampshade



### Brass lampshade



## Cirio Múltiple

Antoni Arola. 2010  
Pendant lamps

  
SANTA & COLE

### Regulations:

CE  
UNE-EN 60598  
UNE-EN 55015  
UNE-EN 62031  
UNE-EN 61000-3-2

UL  
Dry and damp location  
UL-1598  
UL-8750  
E-336377

### Maintenance:

Clean with a smooth cloth. Do not use ammonia, solvents or abrasive cleaning products.

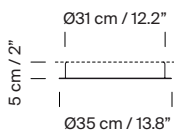
### Others:

The lamp is delivered in different packages.  
The assembly instructions are delivered with the product.

### Model:

#### Canopies

Surface

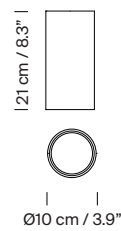


Built-in (CE market)

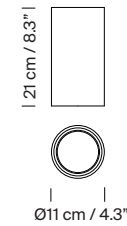


#### Lampshades

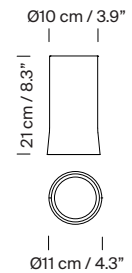
White porcelain



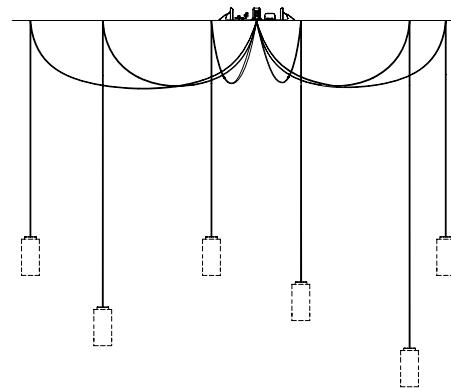
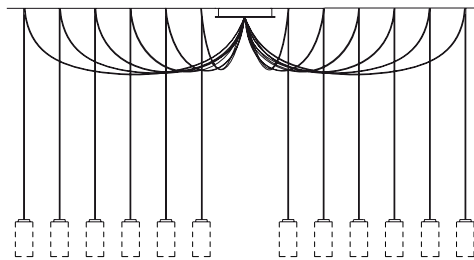
White opal glass



Brass



### Possible arrangements



### Collection:

Pendant lamps



Cirio Simple



Cirio Múltiple



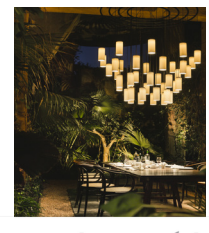
Cirio Cascada



Cirio Circular



Cirio



The technical information provided by Santa & Cole may be modified at any time without prior notice. We protect intellectual property.  
info@santacole.com / +34 938 619 100 / santacole.com

  
425 Peachtree Hills Ave. NE #3 Atlanta, GA 30305  
404.876.1064 sales@illumco.com