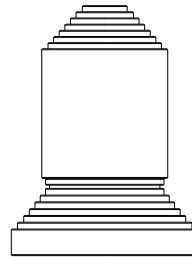




Babel

Àngel Jové, 1971

Table lamp



In the poignant, artisan Barcelona of the early 1970s, still under the rule of late Francoism, a fresh, provocative group of artists and architects began to sow the seeds for what after the Spanish transition to democracy by 1977 would turn out to be the multi-colour explosion of modern night time bars, highly commonplace by the early 1980s. Angel Jové was one of these urban conspirators.

The Babel lamp refers to the unfinished biblical tower where there was a confusion of tongues, victims of their ambition. However, this time the perspective is different: the entire robust body is perfectly finished, the tower is complete and shines with insolent convening power. Solely using solid or hollow alabaster was considered an affront to predominant trends at the time. Alabaster was seen as a distasteful material, without the constructive strength of marble or the translucent nobility of onyx, and it was scantily used to create the small dire kitsch sculptures that flourished as a souvenir among the early tourists.

On account of the process of craftsmanship, no two units are identical; however, every single one stands as a clear illustration of an evening tête-à-tête. A spectacular and superbly striking lamp that evokes all manner of secrets, even among the most hush-hush tongues.

GENERAL DESCRIPTION

Alabaster column.

Electric cable length: 2,25 m / 88.6".

LIGHT SOURCE

Recommended light sources (adjustable):

LED bulb: 10 W

Compact fluorescent: 20W

Incandescent: Máx. 60W

E27-E26

(Max. hgt.: 115 mm / 4.5")

Light source not included.

Dimmer included.

Compatible with bulbs of the Energy efficiency class (E.E.C):

A+... E.

Suitable only for indoor use.

Always use this light sources or equivalent.

Input voltage: 100, 120, 230 Vac.

(50 Hz / 60 Hz) According to destination.

APPROXIMATE WEIGHT (unpacked)

12,6 kg / 27.8 lb



425 Peachtree Hills Ave. NE #3 Atlanta, GA 30305
404.876.1064 sales@illumco.com



SANTA & COLE

REGULATIONS

CE



IP 20

UNE-EN 60598

UNE-EN 55015

UNE-EN 60529



Non-class 2

Dry location only

UL-153

E-352592

MAINTENANCE

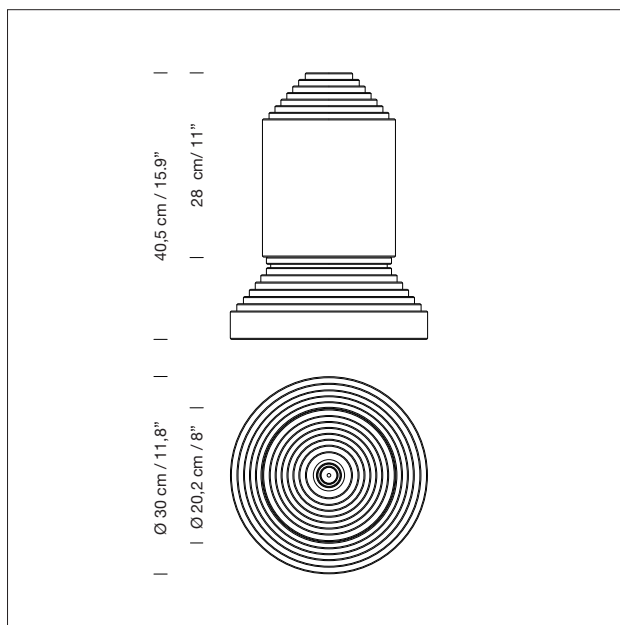
Clean with a smooth cloth. Do not use ammonia, solvents or abrasive cleaning products.

OTHERS

The lamp is delivered in one package.

The assembly instructions are delivered with the product.

MODEL



 **illuminations**

425 Peachtree Hills Ave. NE #3 Atlanta, GA 30305
404.876.1064 sales@illumco.com