

CONTOUR TABLE

DESCRIPTION

Contour's revealing and elegant open framed architecture captures warm LED illumination within a remarkably slender extruded aluminum structure. Intelligent and highly efficient, Contour's minimalist design has been refined to the bare essentials, creating a rich interior space for your personal belongings while providing an unobstructed view of its surroundings. Contour's premium wood and woven fabric interiors provide an inviting resting place for your books, precious objects, or for charging your mobile devices with its integrated USB port.

FIXTURE TYPE

Table

LIGHT SOURCE

(60x) High output LED array

PRODUCT CODES

Contour Table SM White/White Oak:	CONT SML WHT/OAK
Contour Table SM White/Walnut:	CONT SML WHT/WAL
Contour Table SM White/Pearl:	CONT SML WHT/PEARL
Contour Table SM Graphite/White Oak:	CONT SML GPT/OAK
Contour Table SM Graphite/Walnut:	CONT SML GPT/WAL
Contour Table SM Graphite/Coal:	CONT SML GPT/COAL

Contour Table LG White/White Oak:	CONT LRG WHT/OAK
Contour Table LG White/Walnut:	CONT LRG WHT/WAL
Contour Table LG White/Pearl:	CONT LRG WHT/PEARL
Contour Table LG Graphite/White Oak:	CONT LRG WHT/OAK
Contour Table LG Graphite/Walnut:	CONT LRG WHT/WAL
Contour Table LG Graphite/Coal:	CONT LRG WHT/COAL

LIGHT CONTROL

Full range dim control

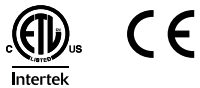
FEATURES

Glare-free illumination
USB charging port

SPECIFICATIONS

Voltage: 120/220V 60Hz
Power Consumption: 8W MAX
Color temperature: 3000K
Luminosity: 585 Lumens
Luminaire efficacy: 76 Lumens/Watt
Color Rendition Index: 80+ CRI
50K hour lifespan
Cord length: 8' (244cm)
Global multi-plug adapter available
1 year warranty

CERTIFICATIONS



PACKAGING WEIGHT AND DIMENSIONS

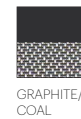
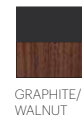
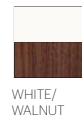
CONTOUR TABLE SM:	11LBS 17.5" X 12" X 6"
	5KGS 44.5cm X 30cm X 15cm
CONTOUR TABLE LG:	13LBS 25" X 13" X 6"
	6KGS 63.5cm X 33cm X 15cm

NOTES

Custom requests can be considered on volume orders



FINISHES



DIMENSIONS

TABLE SM

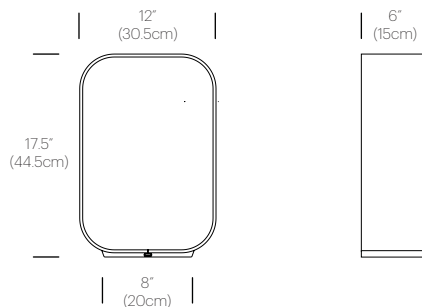


TABLE LG

