

FOLD ONYX PENDANT

Designed by Octavio Amado

DESIGN & INSPIRATION

Fold is a revolutionary construction system made up of 3 polygons with equal sides. Unique three-dimensional shapes can be built by connecting the modules made of a translucent fireproof PVC material. Designers can combine multiple shapes to create large custom installations.

LIGHT SOURCE

1 x E26 LED 25W MAX

Suggested Specs: A21 Frosted

> 90 CRI | 3000K | Dimmable

Omni-directional | 1600+ Lumens

SPECIFICATIONS & TECHNICAL NOTES

UL Listed

Made in France. Constructed in fireproof PVC.

Mounts directly to a standard Junction box.

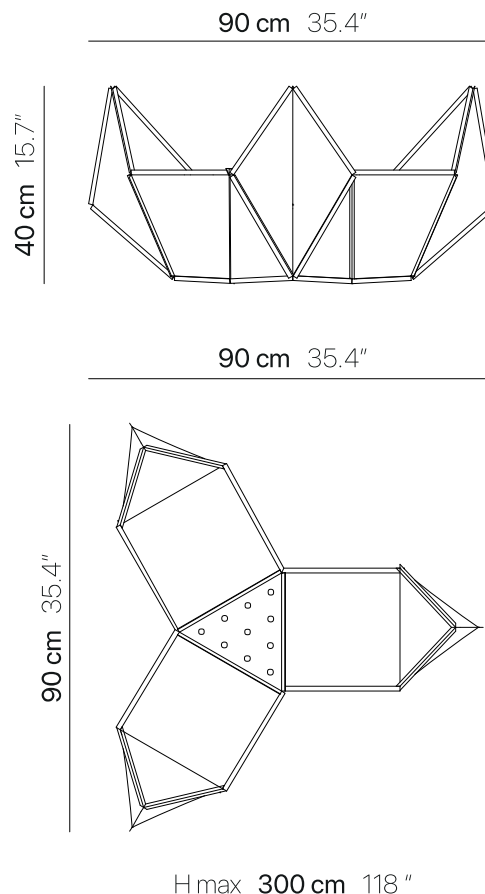
Cable length max. 10' (field adjustable)

PRODUCT CODES

WHITE OA-F.ONYX



DIAGRAM



uplight group.

Uplight Group, LLC 1835 NE Miami Gardens Dr. N. Miami Beach, FL 33179
Tel. +1.305.621.9602 sales@uplightgroup.com www.uplightgroup.com

Fixture Type _____
Project Name _____

illuminations
225 Peachtree Hills Ave. NE #3 Atlanta, GA 30305
404.876.1064 sales@illumco.com



 **illumination**

425 Peachtree Hills Ave. NE #3 Atlanta, GA 30305

404.876.1064

sales@illumco.com