

# CAPRI

Family of indoor spotlights for accent lighting.

The luminaire is rotatable by 90° vertically and 355° horizontally to allow the free orientation of the light in any direction.

The excellent heat dissipation structure and the built-in driver are perfectly combined together in an integrated design with a aesthetic compact and minimal aesthetic.

The light beam angle is adjustable to meet any lighting requirement.



# DIMMABLE TRIAC (ELV) | 2700K

## LAMPING

Source	LED spot
Total power	27W
Emission	Direct adjustable 15°-55°
Switching	Dimmable triac (ELV)
Tension	110V
Color temperature	2700K
Luminous flux	1700lm
Typ CRI	> 90
IP class	20
Dimensions	ø2,8" x 9,13"
Notes	adjustable beam 15°-55°, rotating body 355°, orientable spot 90°, compatible with TRACK 3/DALI~110V
Net lamp weight	2,2 lbs

## Codes

CAP LW2 81 US  
CAP LN2 81 US

## Structure

white  
black

## PACKAGE

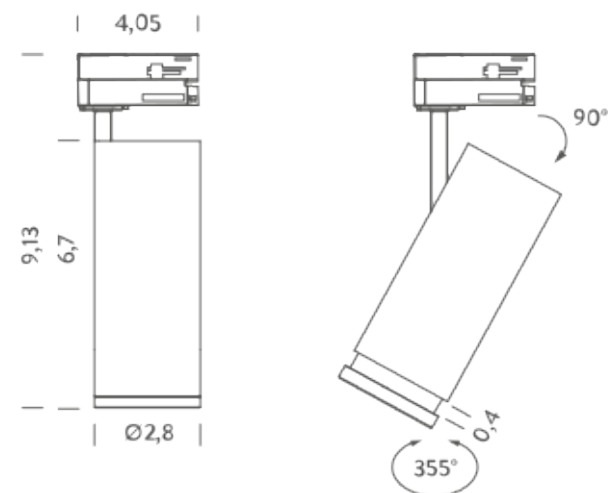
Package 01

Dimension: 15x11,9x14,5in inches / Gross weight: 0,92 lbs

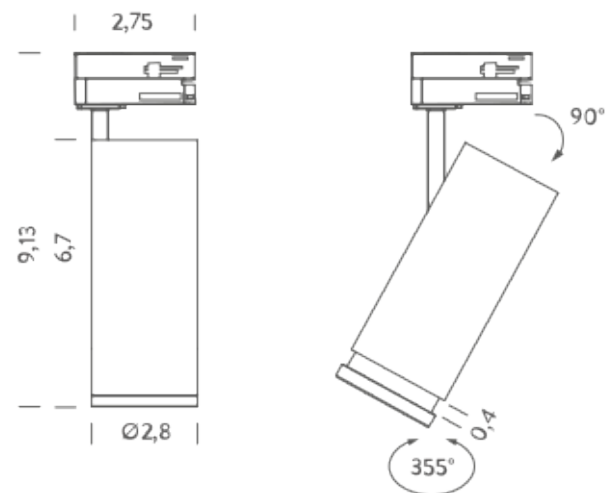
## Certificazioni



CAPRI DALI/1-10V



CAPRI TRIAC



# DIMMABLE TRIAC (ELV) | 3000K

## LAMPING

Source	LED spot
Total power	27W
Emission	Direct adjustable 15°-55°
Switching	Dimmable triac (ELV)
Tension	110V
Color temperature	3000K
Luminous flux	1700lm
Typ CRI	> 90
IP class	20
Dimensions	ø2,8"x 9,13"
Notes	adjustable beam 15°-55°, rotating body 355°, orientable spot 90°, compatible with TRACK 3/DALI~110V
Net lamp weight	2,2 lbs

## Codes

CAP LW3 81 US  
CAP LN3 81 US

## Structure

white  
black

## PACKAGE

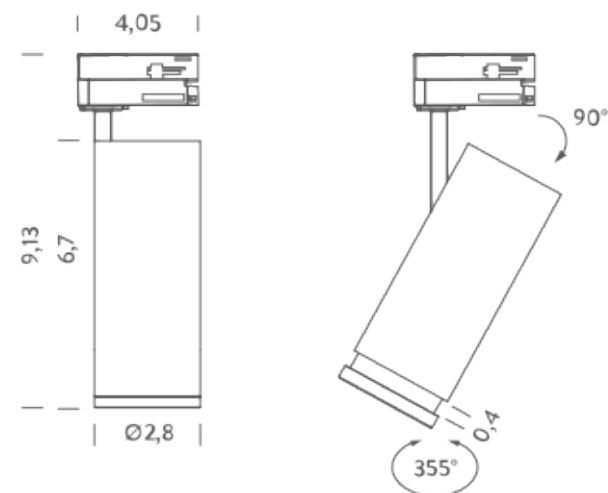
Package 01

Dimension: 15x11,9x14,5in inches / Gross weight: 0,92 lbs

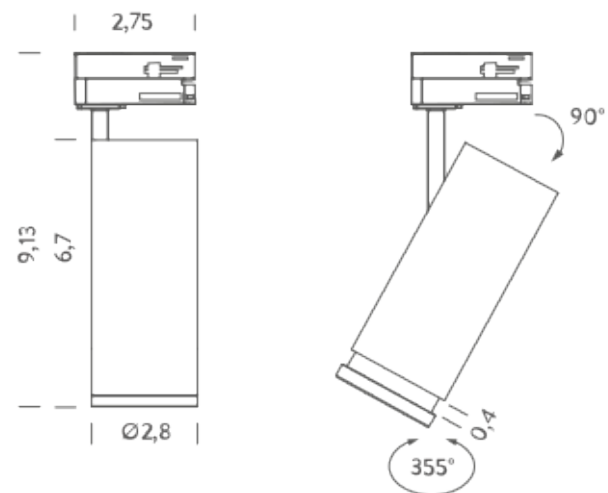
## Certificazioni



CAPRI DALI/1-10V



CAPRI TRIAC



# DIMMABLE TRIAC (ELV) | 4000K

## LAMPING

Source	LED spot
Total power	27W
Emission	Direct adjustable 15°-55°
Switching	Dimmable triac (ELV)
Tension	110V
Color temperature	4000K
Luminous flux	1700lm
Typ CRI	> 90
IP class	20
Dimensions	ø2,8"x9,13"
Notes	adjustable beam 15°-55°, rotating body 355°, orientable spot 90°, compatible with TRACK 3/DALI~110V
Net lamp weight	2,2 lbs

## Codes

CAP LW4 81 US  
CAP LN4 81 US

## Structure

white  
black

## PACKAGE

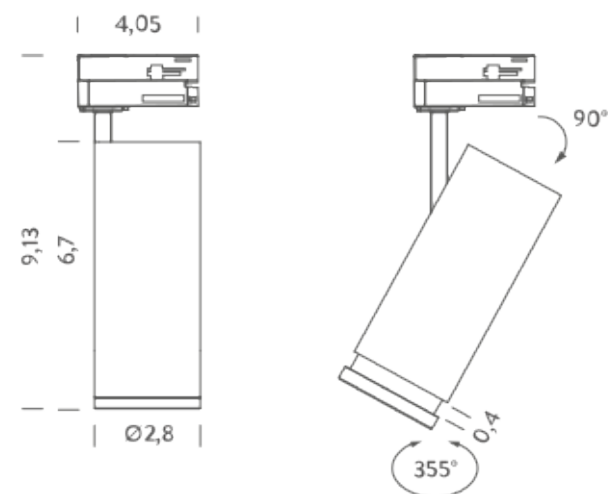
Package 01

Dimension: 15x11,9x14,5in inches / Gross weight: 0,92 lbs

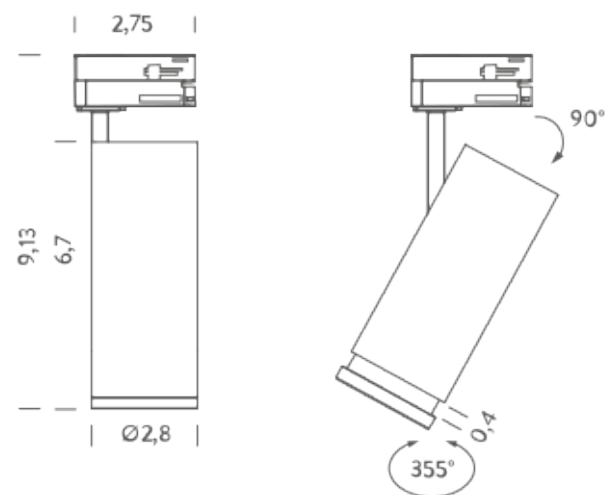
## Certificazioni



CAPRI DALI/1-10V



CAPRI TRIAC



# DIMMABLE 1-10V | 2700K

## LAMPING

Source	LED spot
Total power	27W
Emission	Direct adjustable 15°-55°
Switching	Dimmable 1-10V
Tension	110V
Color temperature	2700K
Luminous flux	1700lm
Typ CRI	> 90
IP class	20
Dimensions	ø2,8"x9,13"
Notes	adjustable beam 15°-55°, rotating body 355°, orientable spot 90°, compatible with TRACK 3/DALI~110V
Net lamp weight	2,2 lbs

## Codes

CAP LW2 82 US  
CAP LN2 82 US

## Structure

white  
black

## PACKAGE

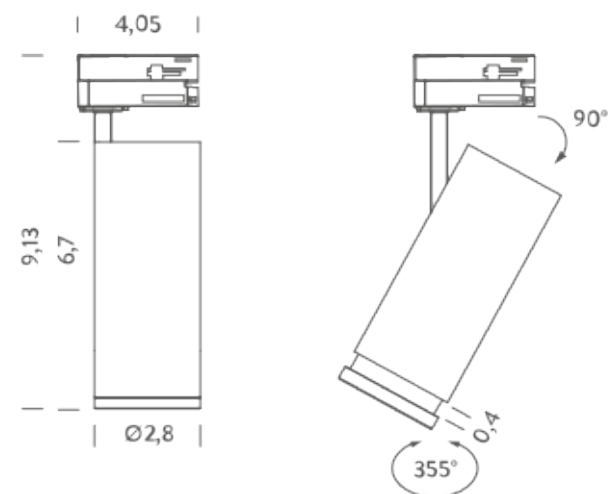
Package 01

Dimension: 15x11,9x14,5in inches / Gross weight: 0,96 lbs

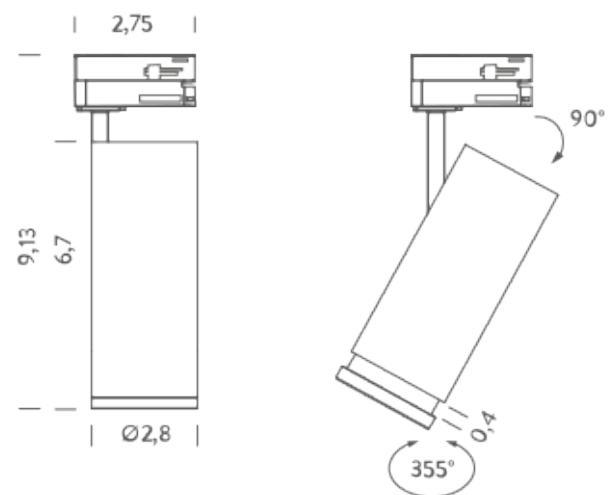
## Certificazioni



CAPRI DALI/1-10V



CAPRI TRIAC



# DIMMABLE 1-10V | 3000K

## LAMPING

Source	LED spot
Total power	27W
Emission	Direct adjustable 15°-55°
Switching	Dimmable 1-10V
Tension	110V
Color temperature	3000K
Luminous flux	1700lm
Typ CRI	> 90
IP class	20
Dimensions	ø2,8"x9,13"
Notes	adjustable beam 15°-55°, rotating body 355°, orientable spot 90°, compatible with TRACK 3/DALI~110V
Net lamp weight	2,2 lbs

## Codes

CAP LW3 82 US  
CAP LN3 82 US

## Structure

white  
black

## PACKAGE

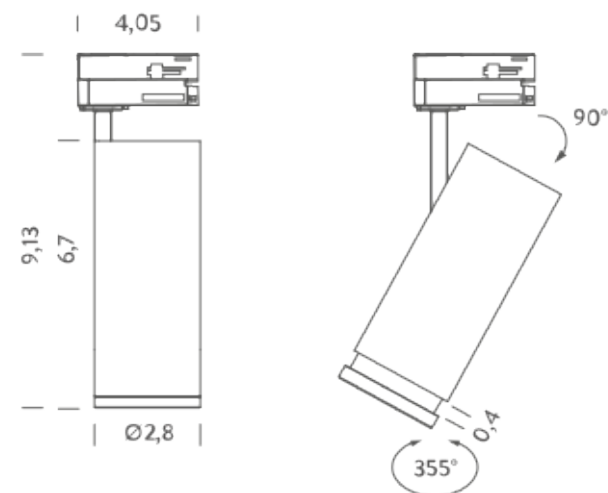
Package 01

Dimension: 15x11,9x14,5in inches / Gross weight: 0,96 lbs

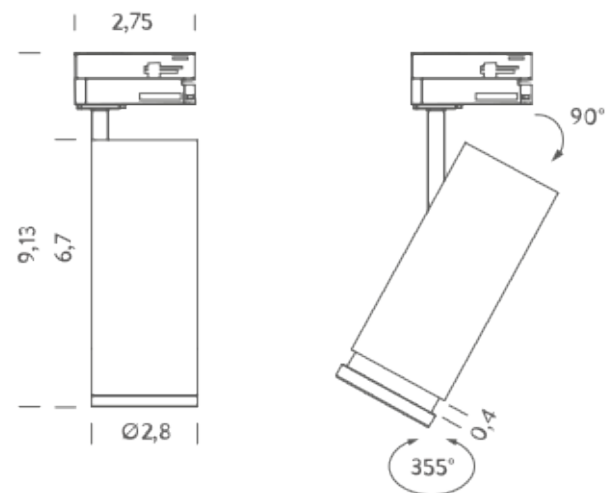
## Certificazioni



CAPRI DALI/1-10V



CAPRI TRIAC



# DIMMABLE 1-10V | 4000K

## LAMPING

Source	LED spot
Total power	27W
Emission	Direct adjustable 15°-55°
Switching	Dimmable 1-10V
Tension	110V
Color temperature	4000K
Luminous flux	1700lm
Typ CRI	> 90
IP class	20
Dimensions	ø2,8"x9,13"
Notes	adjustable beam 15°-55°, rotating body 355°, orientable spot 90°, compatible with TRACK 3/DALI~110V
Net lamp weight	2,2 lbs

## Codes

CAP LW4 82 US  
CAP LN4 82 US

## Structure

white  
black

## PACKAGE

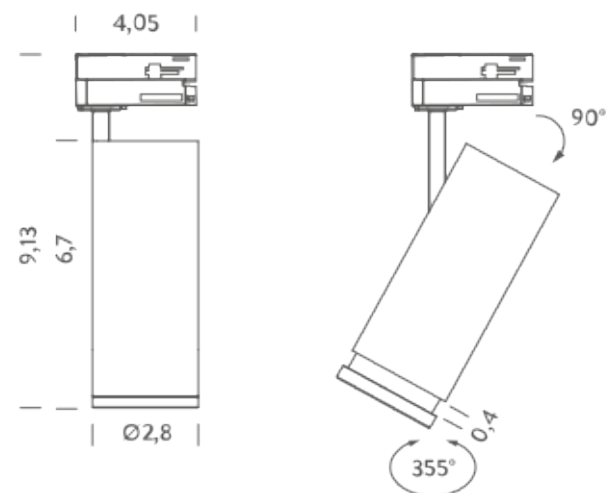
Package 01

Dimension: 15x11,9x14,5in inches / Gross weight: 0,96 lbs

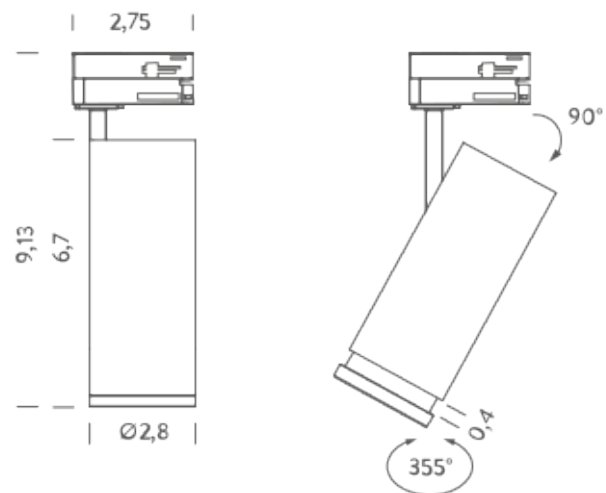
## Certificazioni



### CAPRI DALI/1-10V



### CAPRI TRIAC



# DIMMABLE DALI2 | 2700K

## LAMPING

Source	LED spot
Total power	27W
Emission	Direct adjustable 15°-55°
Switching	Dimmable DALI
Tension	110V
Color temperature	2700K
Luminous flux	1700lm
Typ CRI	> 90
IP class	20
Dimensions	ø2,8"x9,13"
Notes	adjustable beam 15°-55°, rotating body 355°, orientable spot 90°, compatible with TRACK 3/DALI~110V
Net lamp weight	2,2 lbs

## Codes

CAP LW2 83 US  
CAP LN2 83 US

## Structure

white  
black

## PACKAGE

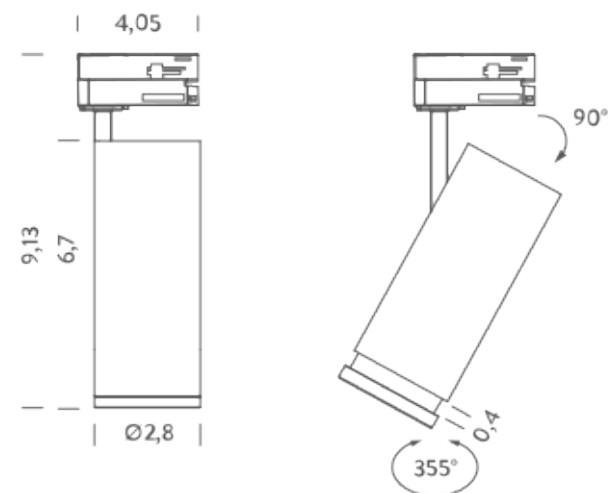
Package 01

Dimension: 15x11,9x14,5in inches / Gross weight: 0,97 lbs

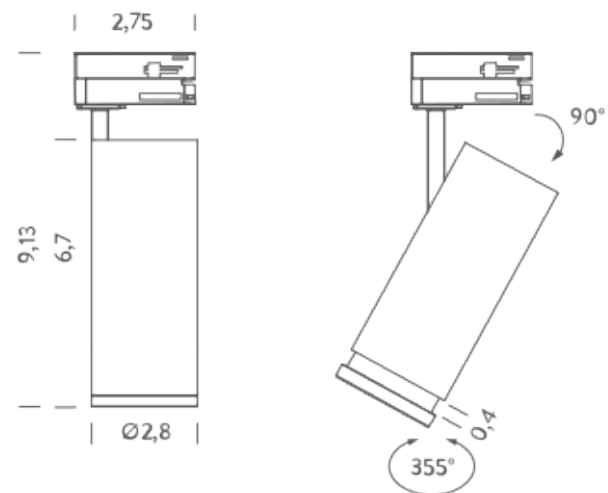
## Certificazioni



CAPRI DALI/1-10V



CAPRI TRIAC





# DIMMABLE DALI2 | 3000K

## LAMPING

Source	LED spot
Total power	27W
Emission	Direct adjustable 15°-55°
Switching	Dimmable DALI
Tension	110V
Color temperature	3000K
Luminous flux	1700lm
Typ CRI	> 90
IP class	20
Dimensions	ø2,8"x9,13"
Notes	adjustable beam 15°-55°, rotating body 355°, orientable spot 90°, compatible with TRACK 3/DALI~110V
Net lamp weight	2,2 lbs

## Codes

CAP LW3 83 US  
CAP LN3 83 US

## Structure

white  
black

## PACKAGE

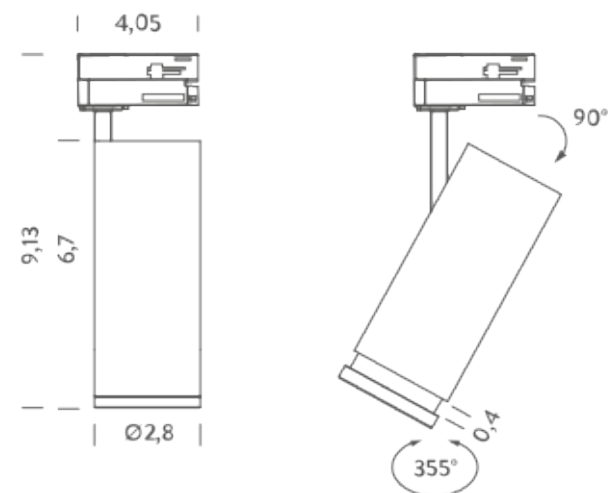
Package 01

Dimension: 15x11,9x14,5in inches / Gross weight: 0,97 lbs

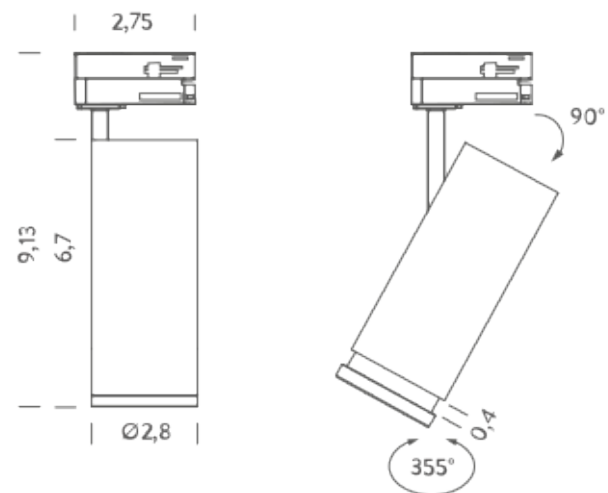
## Certificazioni



### CAPRI DALI/1-10V



### CAPRI TRIAC



# DIMMABLE DALI2 | 4000K

## LAMPING

Source	LED spot
Total power	27W
Emission	Direct adjustable 15°-55°
Switching	Dimmable DALI
Tension	110V
Color temperature	4000K
Luminous flux	1700lm
Typ CRI	> 90
IP class	20
Dimensions	ø2,8"x9,13"
Notes	adjustable beam 15°-55°, rotating body 355°, orientable spot 90°, compatible with TRACK 3/DALI~110V
Net lamp weight	2,2 lbs

## Codes

CAP LW4 83 US  
CAP LN4 83 US

## Structure

white  
black

## PACKAGE

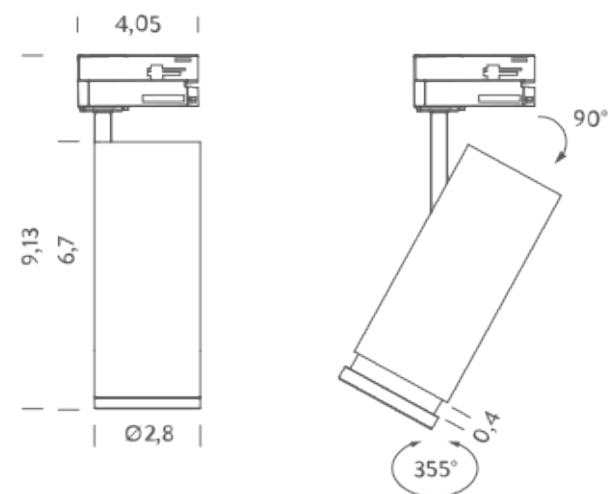
Package 01

Dimension: 15x11,9x14,5in inches / Gross weight: 0,97 lbs

## Certificazioni



CAPRI DALI/1-10V



CAPRI TRIAC

