

GLOBAL 6L PENDANT

Designed by Studio Tecnico Metal Lux

DESIGN & INSPIRATION

Global is the newest collection designed by Studio Tecnico Metallux. The collection comes as a result of several large-scale custom installations. The 6-light pendant features 3 large and 3 medium globes. The adjustable stem has a maximum height of 4 feet. It is available in bronze or black metal frame and clear acrylic diffusers.

LIGHT SOURCE



6 x E26 LED 15W MAX
Suggested Specs: A19 Clear
> 90 CRI / 2700K / Dimmable

SPECIFICATIONS & TECHNICAL NOTES

UL Listed

Made in Italy

Constructed in metal with clear acrylic diffusers

Mounts directly to a standard Junction box

Custom colors available upon request

PRODUCT CODES



Black frame
Clear diffusers

ML-262.180.03

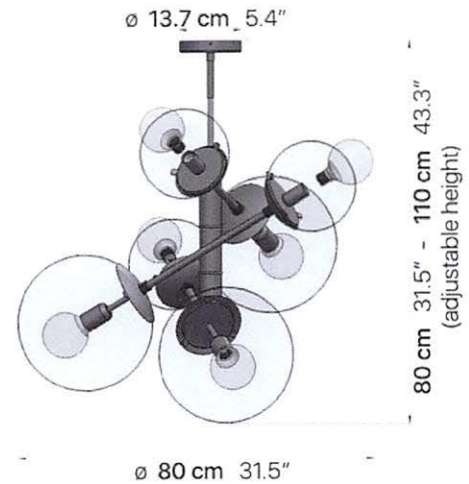


Bronze frame
Clear diffusers

ML-262.180.04



DIAGRAM



uplight group.

Uplight Group, LLC 1835 NE Miami Gardens Dr. N. Miami Beach, FL 33179
Tel. +1.305.621.9602 sales@uplightgroup.com www.uplightgroup.com

Fixture Type _____
Project Name _____

 METAL LUX

 illumination

425 Peachtree Hills Ave. NE #3 Atlanta, GA 30305
404.876.1064 sales@illumco.com