

GLOBAL 4L CEILING

Designed by Studio Tecnico Metal Lux

DESIGN & INSPIRATION

Global is the newest collection designed by Studio Tecnico Metallux. The collection comes as a result of several large-scale custom installations. The 4-light pendant features 2 medium and 2 small globes with a fixed height of 21.7". It is available in bronze or black metal frame and clear acrylic diffusers.

LIGHT SOURCE



4 x E26 LED 15W MAX
Suggested Specs: A19 Clear
> 90 CRI / 2700K / Dimmable

SPECIFICATIONS & TECHNICAL NOTES

UL Listed
Made in Italy
Constructed in metal with clear acrylic diffusers
Mounts directly to a standard Junction box
Custom colors available upon request

PRODUCT CODES



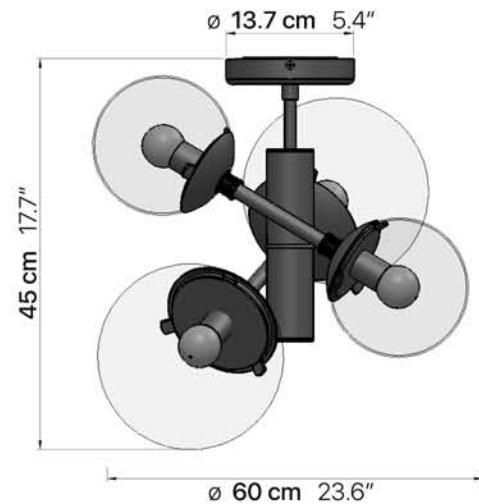
Black frame
Clear diffusers ML-262.350.03



Bronze frame
Clear diffusers ML-262.350.04



DIAGRAM



uplight group.

Uplight Group, LLC 1835 NE Miami Gardens Dr. N. Miami Beach, FL 33179
Tel. +1.305.621.9602 sales@uplightgroup.com www.uplightgroup.com

Fixture Type _____
Project Name _____

METAL LUX
illuminations
425 Peachtree Hills Ave. NE #3 Atlanta, GA 30305
404.876.1064 sales@illumco.com

