



Struttura in metallo ricoperto in vetro, pendagli in cristallo, illuminazione LED.

Metal frame covered with glass, crystal pendants, LED lighting system.

Metallstruktur mit transparentem Glas bedeckt, Kristall-Gehänge, LED Lichtsystem

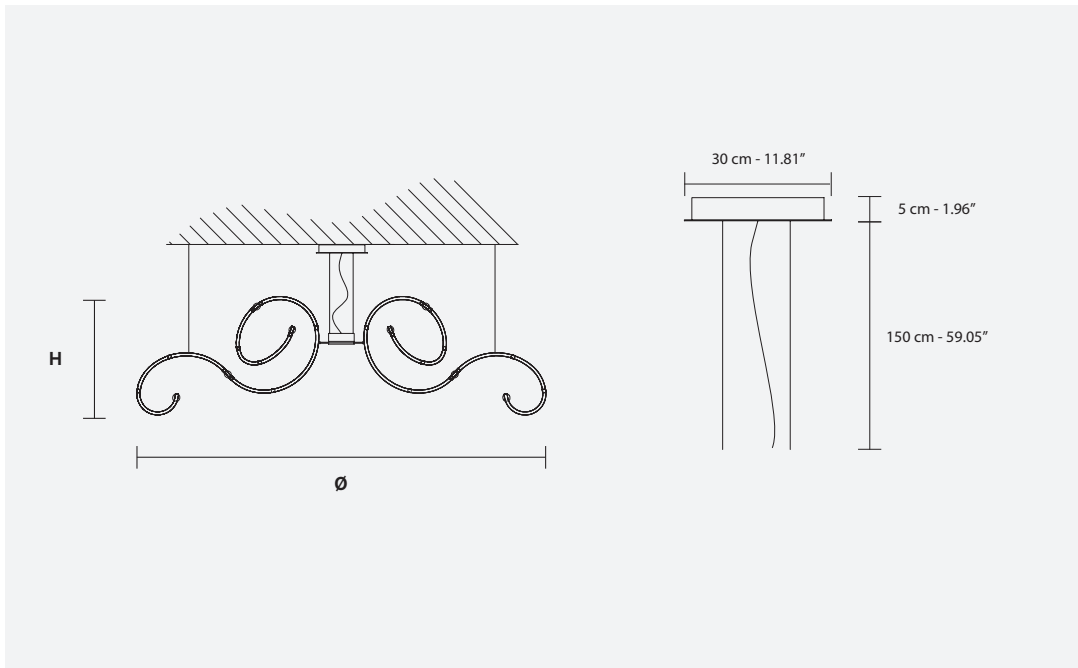
Structure métallique recouverte de verre, pendentifs en cristal, éclairage LED

Металлический каркас, покрытый стеклом, подвесы из хрусталя, светодиодное освещение.

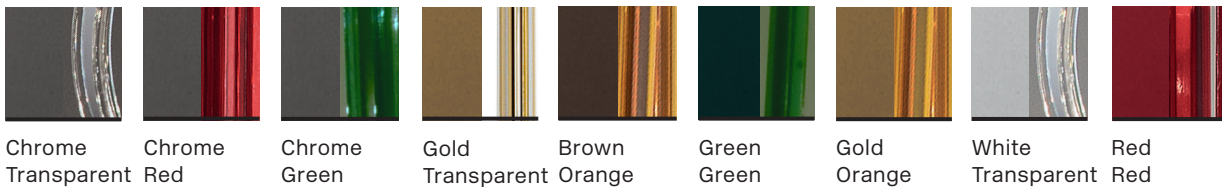


H 70 cm / 27.55"
 Ø 240 cm / 94.48"

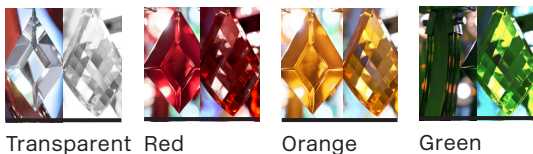
LED x 128 W CRI>80
 3000 K - 13600 lm
Dimmable: PUSH*



FRAME + GLASS



PENDANTS



* "UL" logo refers to articles which can be modified with UL-compliant components. The "UL" listing mark stands for tested and evaluated product to recognized us safety standards.



Struttura in metallo ricoperto in vetro, pendagli in cristallo, illuminazione LED.

Metal frame covered with glass, crystal pendants, LED lighting system.

Metallstruktur mit transparentem Glas bedeckt, Kristall-Gehänge, LED Lichtsystem

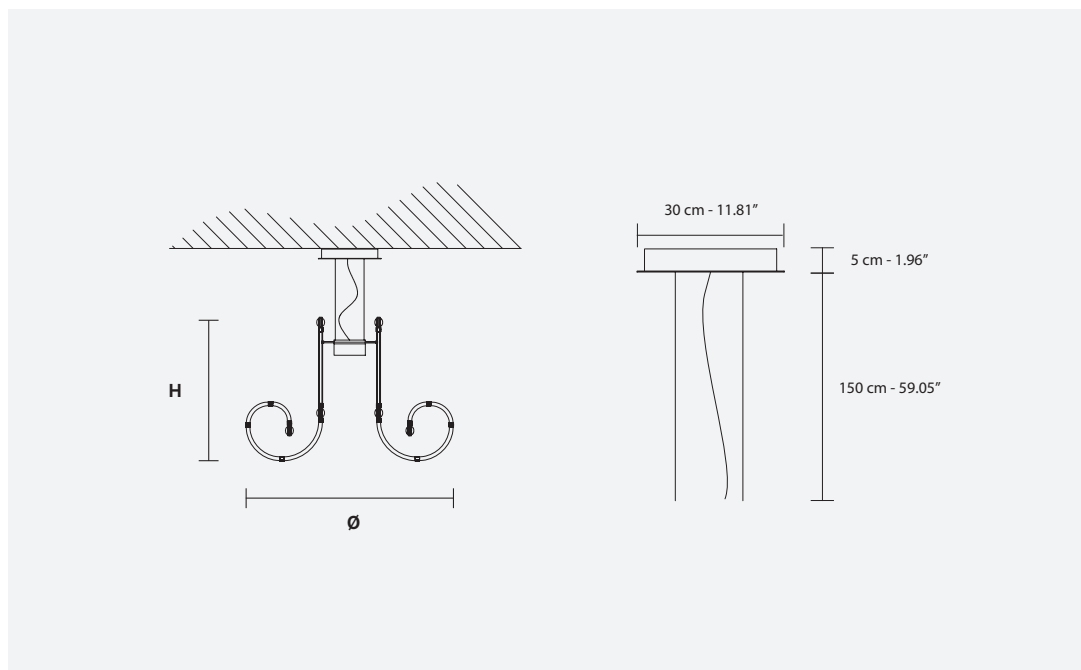
Structure métallique recouverte de verre, pendentifs en cristal, éclairage LED

Металлический каркас, покрытый стеклом, подвесы из хрусталя, светодиодное освещение.

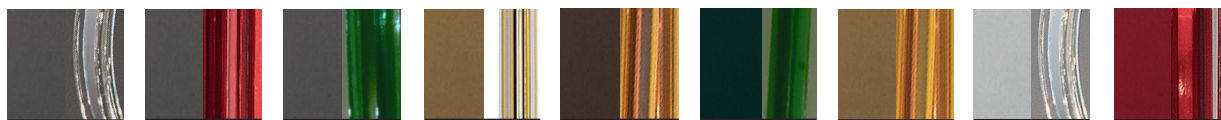


H 70 cm / 27.55"
 Ø 100 cm / 39.37"

LED x 96 W CRI>80
 3000 K - 10200 lm
Dimmable: PUSH*

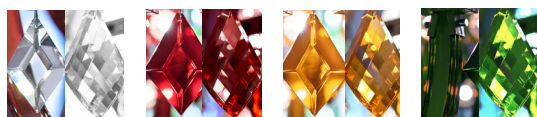


FRAME + GLASS



Chrome Transparent Chrome Red Chrome Green Gold Transparent Brown Orange Green Green Gold Orange White Transparent Red Red

PENDANTS



Transparent Red Orange Green



Struttura in metallo ricoperto in vetro, pendagli in cristallo, illuminazione LED.

Metal frame covered with glass, crystal pendants, LED lighting system.

Metallstruktur mit transparentem Glas bedeckt, Kristall-Gehänge, LED Lichtsystem

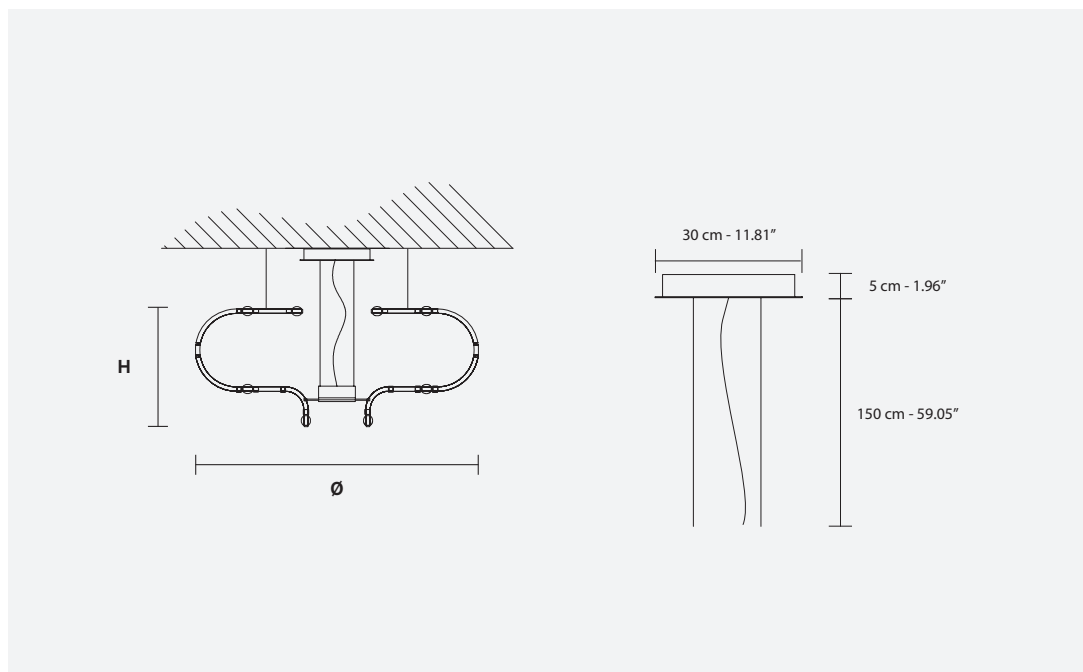
Structure métallique recouverte de verre, pendentifs en cristal, éclairage LED

Металлический каркас, покрытый стеклом, подвесы из хрусталя, светодиодное освещение.

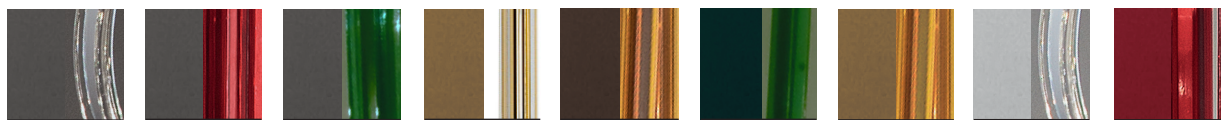


H 50 cm / 19.68"
 Ø 120 cm / 47.24"

LED x 128 W CRI>80
 3000 K - 13600 lm
Dimmable: PUSH*

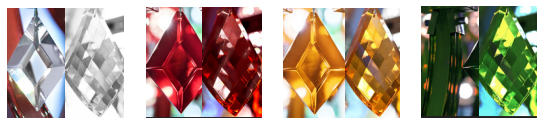


FRAME + GLASS



Chrome Transparent Chrome Red Chrome Green Gold Transparent Brown Orange Green Green Gold Orange White Transparent Red Red

PENDANTS



Transparent Red Orange Green



* "UL" logo refers to articles which can be modified with UL-compliant components. The "UL" listing mark stands for tested and evaluated product to recognized us safety standards.



Struttura in metallo ricoperto in vetro, pendagli in cristallo, illuminazione LED.

Metal frame covered with glass, crystal pendants, LED lighting system.

Metallstruktur mit transparentem Glas bedeckt, Kristall-Gehänge, LED Lichtsystem

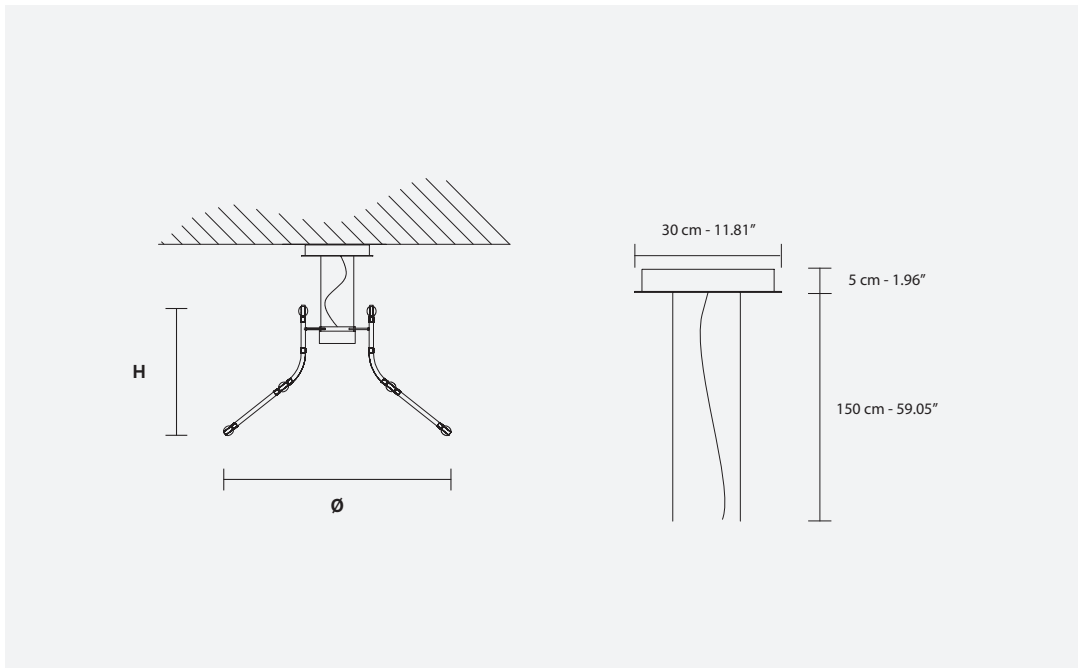
Structure métallique recouverte de verre, pendentifs en cristal, éclairage LED

Металлический каркас, покрытый стеклом, подвесы из хрустала, светодиодное освещение.

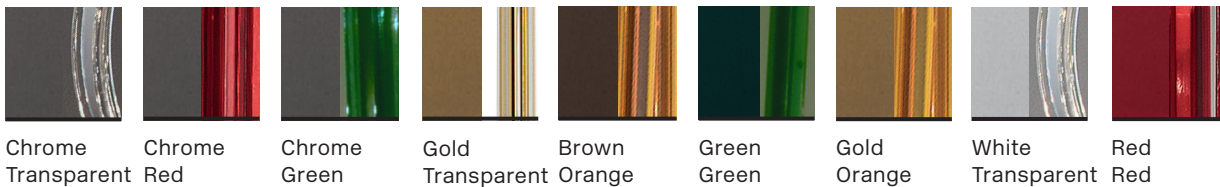


H 55 cm / 21.65"
 Ø 100 cm / 39.37"

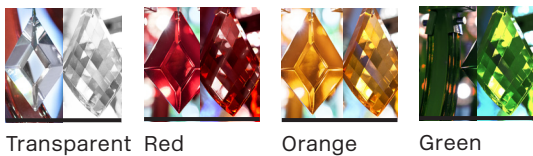
LED x 96 W CRI>80
 3000 K - 10200 lm
Dimmable: PUSH*



FRAME + GLASS



PENDANTS



* "UL" logo refers to articles which can be modified with UL-compliant components. The "UL" listing mark stands for tested and evaluated product to recognized us safety standards.

RAQAM H

Design by: Marc Sadler

MASIERO



Struttura in metallo ricoperto in vetro, pendagli in cristallo, illuminazione LED.

Metal frame covered with glass, crystal pendants, LED lighting system.

Metallstruktur mit transparentem Glas bedeckt, Kristall-Gehänge, LED Lichtsystem

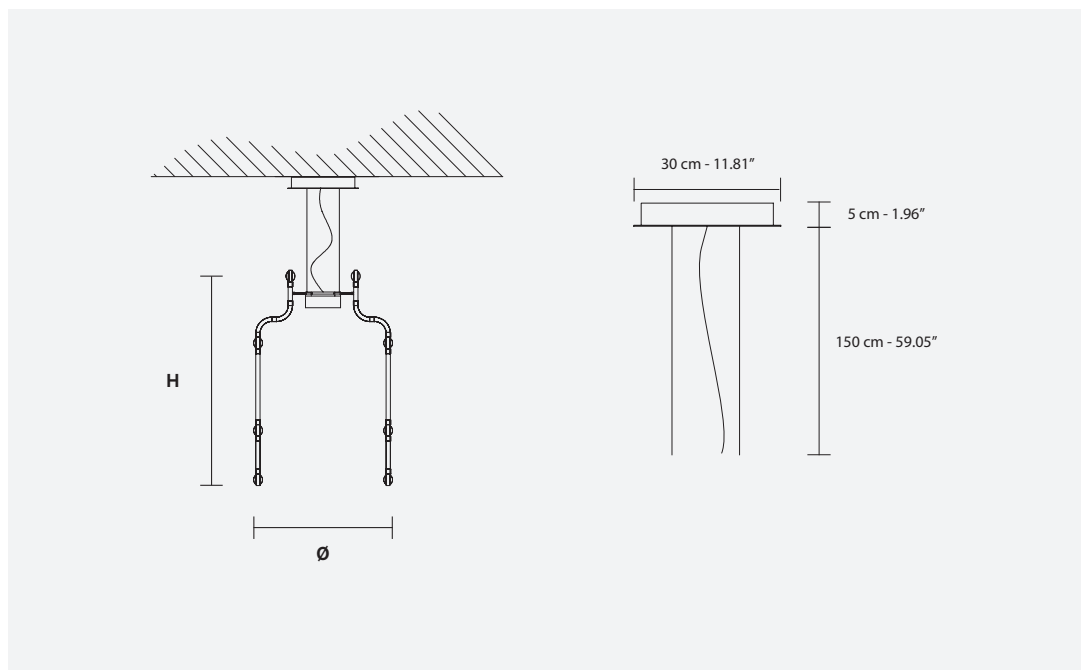
Structure métallique recouverte de verre, pendentifs en cristal, éclairage LED

Металлический каркас, покрытый стеклом, подвесы из хрусталя, светодиодное освещение.

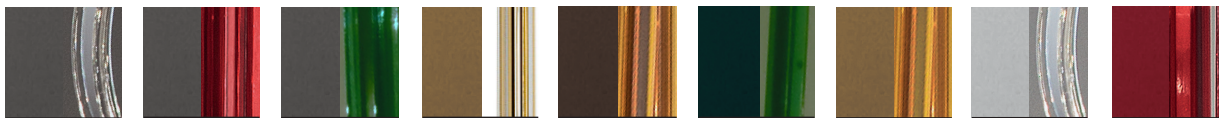


H 95 cm / 37.40"
Ø 60 cm / 23.62"

LED x 128 W CRI>80
3000 K - 13600 lm
Dimmable: PUSH*



FRAME + GLASS



Chrome
Transparent

Chrome
Red

Chrome
Green

Gold
Transparent

Brown
Orange

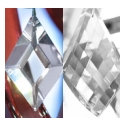
Green
Green

Gold
Orange

White
Transparent

Red
Red

PENDANTS



Transparent Red

Orange

Green

 **illuminaitions**
425 Peachtree Hills Ave. NE #3 Atlanta, GA 30305
404.876.1064 sales@illumco.com

* "UL" logo refers to articles which can be modified with UL-compliant components. The "UL" listing mark stands for tested and evaluated product to recognized us safety standards.

RAQAM M6

Design by: Marc Sadler

MASIERO



Struttura in metallo ricoperto in vetro, pendagli in cristallo, illuminazione LED.

Metal frame covered with glass, crystal pendants, LED lighting system.

Metallstruktur mit transparentem Glas bedeckt, Kristall-Gehänge, LED Lichtsystem

Structure métallique recouverte de verre, pendentifs en cristal, éclairage LED

Металлический каркас, покрытый стеклом, подвесы из хрусталя, светодиодное освещение.



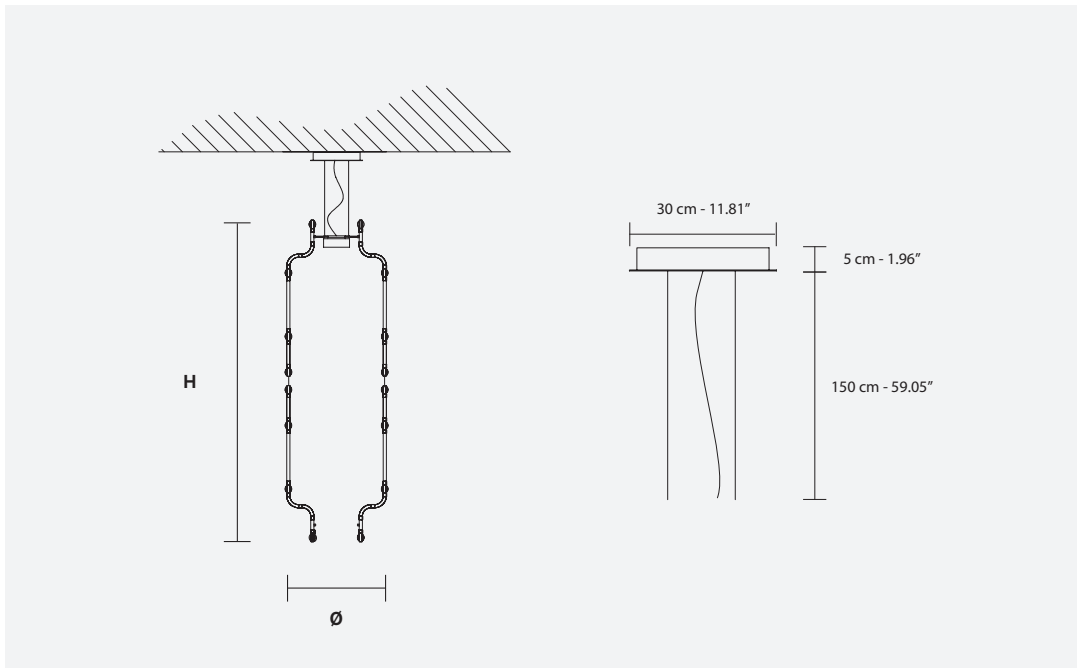
H 200 cm / 78.74"

Ø 60 cm / 23.62"

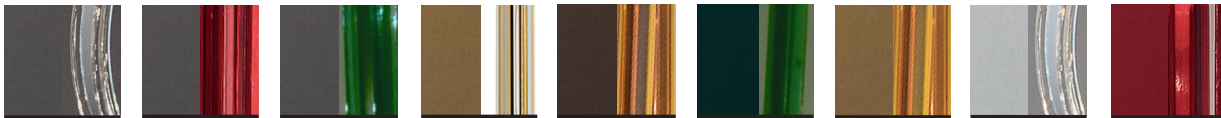
LED x 256 W CRI>80

3000 K - 27200 lm

Dimmable: PUSH*



FRAME + GLASS



Chrome
Transparent

Chrome
Red

Chrome
Green

Gold
Transparent

Brown
Orange

Green
Green

Gold
Orange

White
Transparent

Red
Red

PENDANTS



Transparent Red

Orange

Green


425 Peachtree Hills Ave. NE #3 Atlanta, GA 30305
404.876.1064 sales@illumco.com

* "UL" logo refers to articles which can be modified with UL-compliant components. The "UL" listing mark stands for tested and evaluated product to recognized us safety standards.

RAQAM P4

Design by: Marc Sadler

MASIERO



Struttura in metallo ricoperto in vetro, pendagli in cristallo, illuminazione LED.

Metal frame covered with glass, crystal pendants, LED lighting system.

Metallstruktur mit transparentem Glas bedeckt, Kristall-Gehänge, LED Lichtsystem

Structure métallique recouverte de verre, pendentifs en cristal, éclairage LED

Металлический каркас, покрытый стеклом, подвесы из хрусталя, светодиодное освещение.



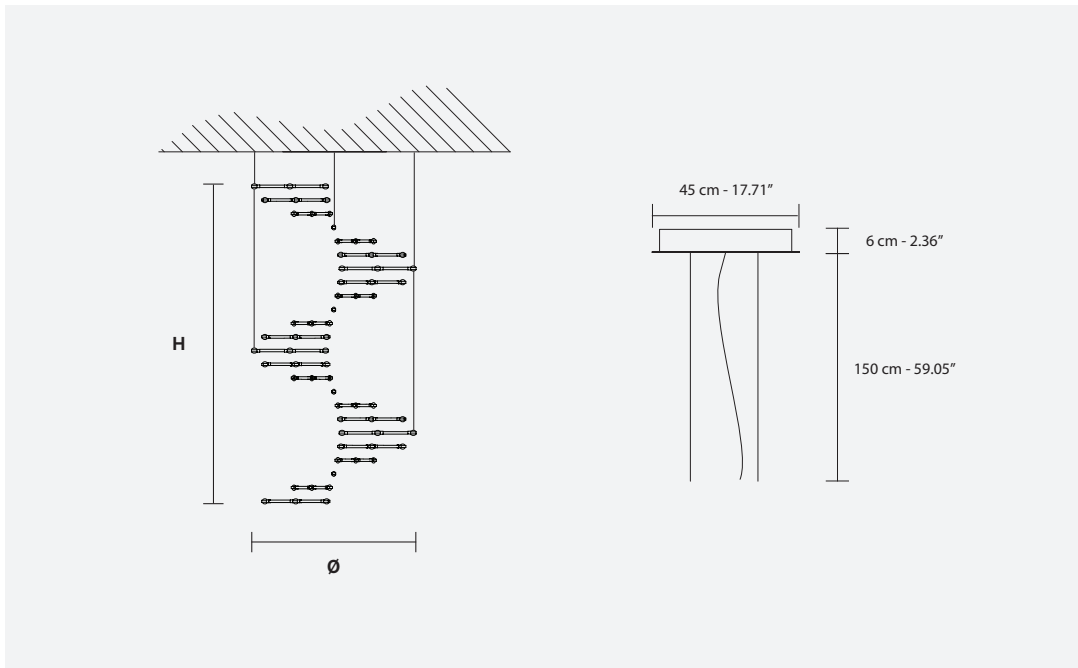
H 220 cm / 86.61"

Ø 130 cm / 51.18"

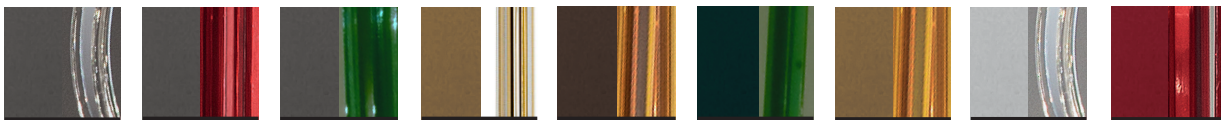
LED x 307 W CRI>80

3000 K - 32640 lm

Dimmable: PUSH*



FRAME + GLASS



Chrome
Transparent

Chrome
Red

Chrome
Green

Gold
Transparent

Brown
Orange

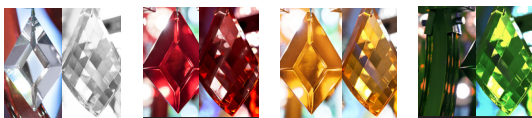
Green
Green

Gold
Orange

White
Transparent

Red
Red

PENDANTS



Transparent Red

Orange

Green



* "UL" logo refers to articles which can be modified with UL-compliant components. The "UL" listing mark stands for tested and evaluated product to recognized us safety standards.