

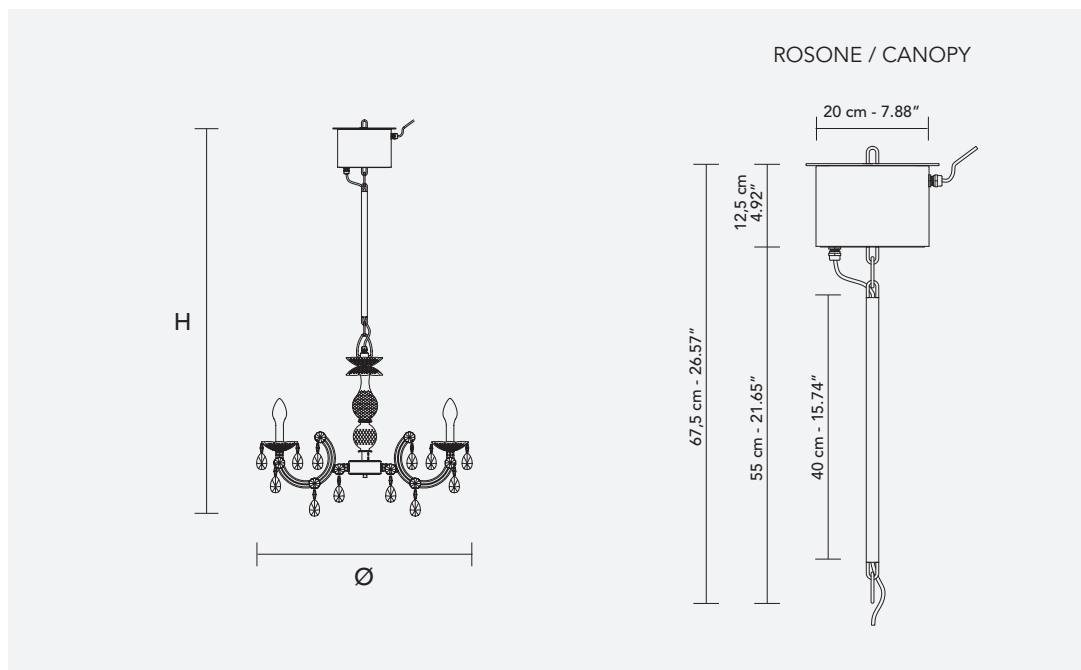
DRYLIGHT S6

Design by: Studio Stile Masiero



Lasciatevi sedurre dalla sorprendente atmosfera di Drylight®, una tecnologia rivoluzionaria, un brevetto internazionale Masiero.

Let yourself be seduced by the surprising atmosphere of DRYLIGHT®, a revolutionary technology, an international MASIERO's patent.



H 125 cm
49.21"

Ø 68 cm
26.77"

Peso: 9,7 kg Imballo: 0,23 m³
Weight: 21,38 lb Packing: 8,14 ft³

Peso netto: 5,3 kg
Net weight: 11,68 lb

LED 6 x LED
LED driver included

CE IP65

MATERIALI MATERIALS

DRYLIGHT EXTREME:
Pendagli in metacrilato
Methacrylate pendants

DRYLIGHT PREMIUM:
Pendagli in cristallo
Crystal pendants

MASIERO

 **illuminaitions**
425 Peachtree Hills Ave. NE #3 Atlanta, GA 30305
404.876.1064 sales@illumco.com

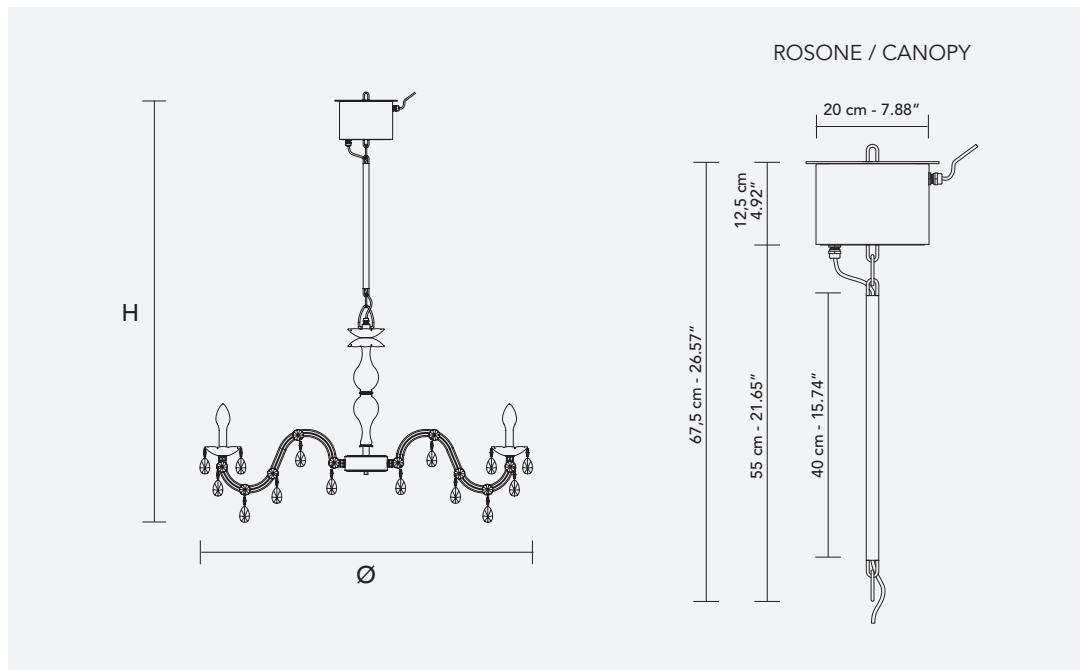
DRYLIGHT S12

Design by: Studio Stile Masiero



Lasciatevi sedurre dalla sorprendente atmosfera di Drylight®, una tecnologia rivoluzionaria, un brevetto internazionale Masiero.

Let yourself be seduced by the surprising atmosphere of DRYLIGHT®, a revolutionary technology, an international MASIERO's patent.



H 135 cm
53.15"

Ø 106 cm
41.73"

Peso: 18,1 kg Imballo: 0,7 m³
Weight: 39,9 lb Packing: 24,72 ft³

Peso netto: 8,6 kg
Net weight: 18,96 lb

LED 12 x LED
LED driver included

CE IP65

MATERIALI MATERIALS

DRYLIGHT EXTREME:

Pendagli in metacrilato
Methacrylate pendants

DRYLIGHT PREMIUM:

Pendagli in cristallo
Crystal pendants

MASIERO

 **illuminaTions**

425 Peachtree Hills Ave. NE #3 Atlanta, GA 30305
404.876.1064 sales@illumco.com

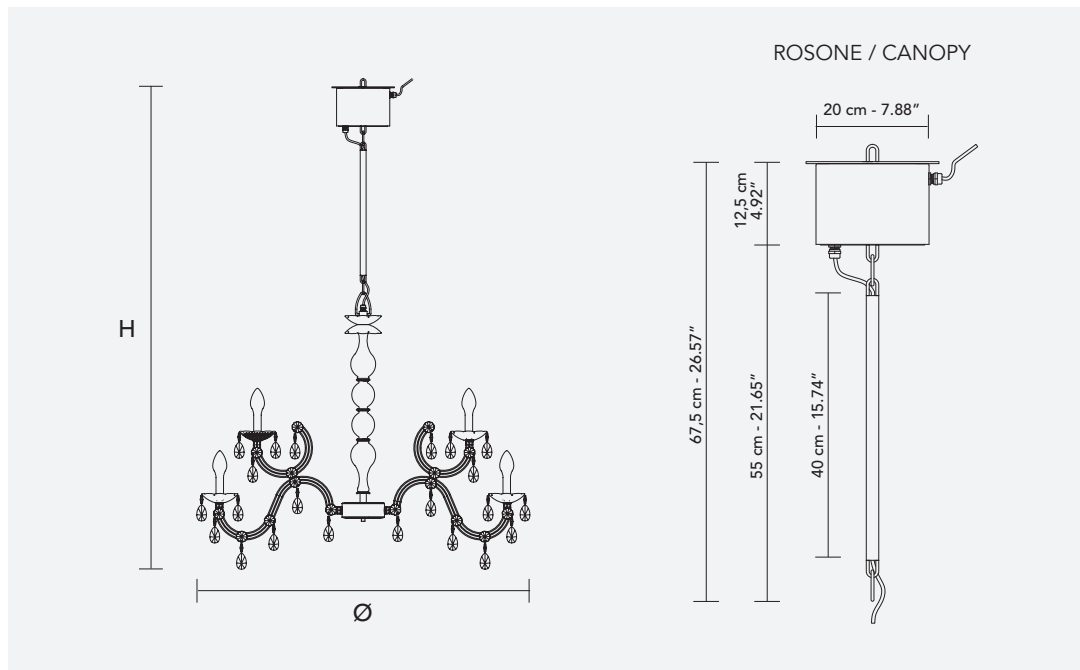
DRYLIGHT S18

Design by: Studio Stile Masiero



Lasciatevi sedurre dalla sorprendente atmosfera di Drylight®, una tecnologia rivoluzionaria, un brevetto internazionale Masiero.

Let yourself be seduced by the surprising atmosphere of DRYLIGHT®, a revolutionary technology, an international MASIERO's patent.



H 150 cm
59.05"

Ø 106 cm
41.73"

Peso: 25,20 kg Imballo: 0,9 m³
Weight: 55,56 lb Packing: 31,78 ft³

Peso netto: 14,1 kg
Net weight: 31,09 lb

LED 18 x LED
LED driver included

CE IP65

MATERIALI MATERIALS

DRYLIGHT EXTREME:
Pendagli in metacrilato
Methacrylate pendants

DRYLIGHT PREMIUM:
Pendagli in cristallo
Crystal pendants

MASIERO

 **illuminaTions**
425 Peachtree Hills Ave. NE #3 Atlanta, GA 30305
404.876.1064 sales@illumco.com

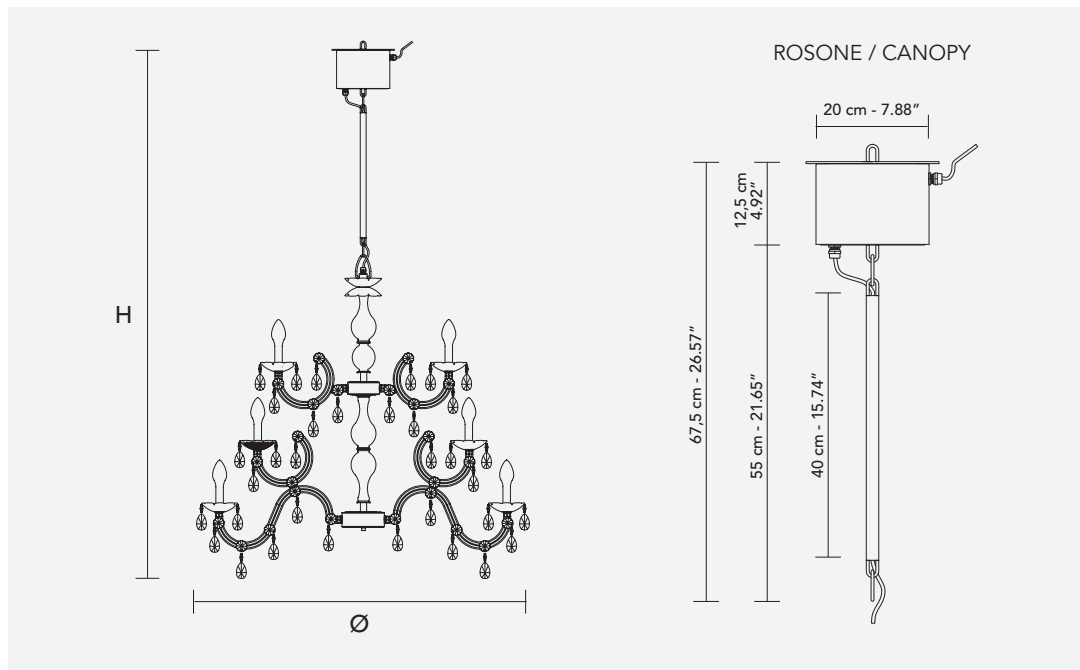
DRYLIGHT S24

Design by: Studio Stile Masiero



Lasciatevi sedurre dalla sorprendente atmosfera di Drylight®, una tecnologia rivoluzionaria, un brevetto internazionale Masiero.

Let yourself be seduced by the surprising atmosphere of DRYLIGHT®, a revolutionary technology, an international MASIERO's patent.



H 190 cm
74.80"

Ø 106 cm
41.73"

Peso: 31 kg Imballo: 1,05 m³
Weight: 68,34 lb Packing: 37,08 ft³

Peso netto: 14,1 kg
Net weight: 31,09 lb

LED 24 x LED
LED driver included

CE IP65

MATERIALI MATERIALS

DRYLIGHT EXTREME:

Pendagli in metacrilato
Methacrylate pendants

DRYLIGHT PREMIUM:

Pendagli in cristallo
Crystal pendants

MASIERO

 **illuminaations**

425 Peachtree Hills Ave. NE #3 Atlanta, GA 30305
404.876.1064 sales@illumco.com