



2886/J/DIM/US/BI Lunaop

design emiliana martinelli, 2017

Ceiling or wall lamp with diffused light, **white lacquered aluminium** structure. White opal methacrylate diffuser.

LED light source integrated and dimmable Push/Dali, triac 5 wires, 0-10V e 1-10V electronic driver to build-in or remote.

Available in three sizes and also in the hanging versions.

2886/J/DIM/US/BI lunaop

family:	lunaop	Body Color:	<input type="radio"/>
Designers:	Emiliana Martinelli	Diffuser Color:	<input type="radio"/>
Utilization:	indoor	Body Materials:	aluminium
Typology:	ceiling	Diffuser Materials:	opal white methacrylate
Certifications:			

Dimensions

Width:	-
Height:	25.59 " / 6,5 cm
Length:	-
Depth:	-
Diameter:	19.69 " / 50 cm

Net weight: 4.41 lbs / 2 Kg

Light Source

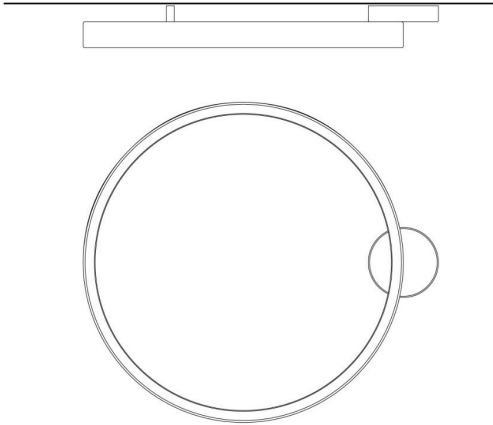
Watt:	48W LED
Lumen:	3700 lm
Light Source:	led
CRI:	>90
duration:	50000 h
CCT:	3000K
Energy degree:	A++

Device Specifications

Type of emission:	diffused	Power cable length:	-	Driver:	included
Power:	-	Steel cable length:	-	Power supply assembly:	external
Light output:	-			Power supply:	electronic dimmable power supply
Beam angle:	-			Type of dimming:	push/dali, triac 5 fili, 0-10v e 1-10v
				Voltage:	120V



technical drawing



Dimensions

Width: -

Net weight: 4.41 lbs / 2 Kg

Height: 25.59 " / 6,5 cm

Length: -

Depth: -

Diameter: 19.69 " / 50 cm



2886/DIM/US/BI Lunaop

design emiliana martinelli, 2017

Ceiling or wall lamp with diffused light, **white lacquered aluminium** structure. White opal methacrylate diffuser.

LED light source integrated and dimmable Push/Dali, triac 5 wires, 0-10V e 1-10V electronic driver to build-in or remote.

Available in three sizes and also in the hanging versions.

2886/DIM/US/BI lunaop

family:	lunaop	Body Color:	<input type="radio"/>
Designers:	Emiliana Martinelli	Diffuser Color:	<input type="radio"/>
Utilization:	indoor	Body Materials:	aluminium
Typology:	ceiling	Diffuser Materials:	opal white methacrylate
Certifications:			

Dimensions

Width:	-
Height:	2.56 " / 6.5 cm
Length:	-
Depth:	-
Diameter:	31.5 " / 80 cm

Net weight: 6.62 lbs / 3 Kg

Light Source

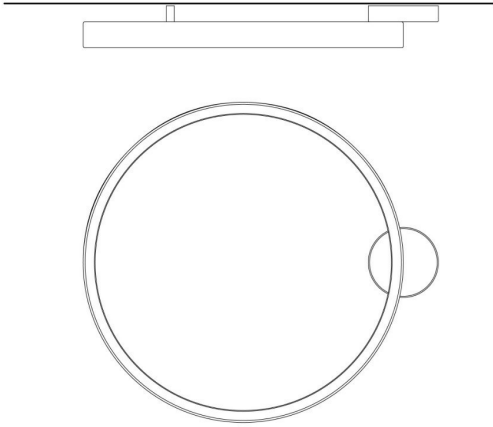
Watt:	72W
Lumen:	5600 lm
Light Source:	led
CRI:	>90
duration:	50000 h
CCT:	2700K
Energy degree:	A++

Device Specifications

Type of emission:	diffused	Power cable length:	-	Driver:	included
Power:	63W	Steel cable length:	-	Power supply assembly:	external
Light output:	3400lm			Power supply:	electronic dimmable power supply
Beam angle:	-			Type of dimming:	push/dali, triac 5 fili, 0-10v e 1-10v
				Voltage:	120V



technical drawing



Dimensions

Width: -

Height: 2.56 " / 6.5 cm

Length: -

Depth: -

Diameter: 31.5 " / 80 cm

Net weight: 6.62 lbs / 3 Kg



2886/G/DIM/US/BI Lunaop

design emiliana martinelli, 2017

Ceiling or wall lamp with diffused light, **white lacquered aluminium** structure. White opal methacrylate diffuser.

LED light source integrated and dimmable Push/Dali, triac 5 wires, 0-10V e 1-10V electronic driver to build-in or remote.

Available in three sizes and also in the hanging versions.

2886/G/DIM/US/BI lunaop

family:	lunaop	Body Color:	<input type="radio"/>
Designers:	Emiliana Martinelli	Diffuser Color:	<input type="radio"/>
Utilization:	indoor	Body Materials:	aluminium
Typology:	ceiling	Diffuser Materials:	opal white methacrylate
Certifications:			

Dimensions

Width:	-
Height:	2.56 " / 6.5 cm
Length:	-
Depth:	-
Diameter:	47.24 " / 120 cm

Net weight: 11.03 lbs / 5 Kg

Light Source

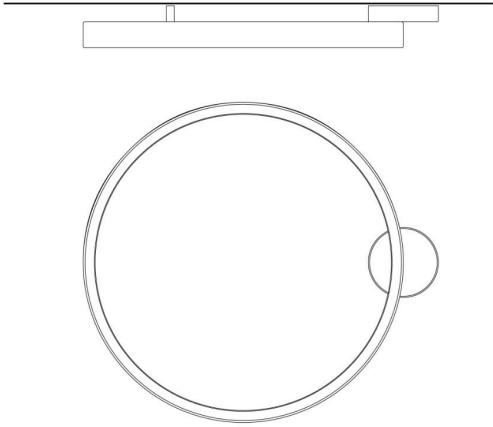
Watt:	108W
Lumen:	8400 lm
Light Source:	led
CRI:	>90
duration:	50000 h
CCT:	3000K
Energy degree:	A++

Device Specifications

Type of emission:	diffused	Power cable length:	-	Driver:	included
Power:	-	Steel cable length:	-	Power supply assembly:	external
Light output:	-			Power supply:	electronic dimmable power supply
Beam angle:	-			Type of dimming:	push/dali, triac 5 fili, 0-10v e 1-10v
				Voltage:	120V



technical drawing



Dimensions

Width: -

Height: 2.56 " / 6.5 cm

Length: -

Depth: -

Diameter: 47.24 " / 120 cm

Net weight: 11.03 lbs / 5 Kg