



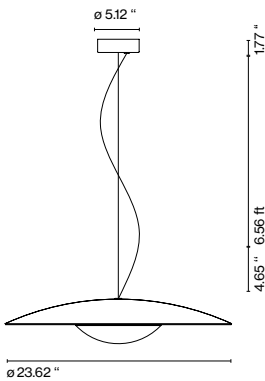
LED-Ginger

Joan Gaspar

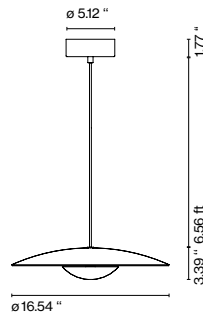
marset



LED-Ginger 60



LED-Ginger 42



LED-Ginger 60

Light Source: LED SMD 700mA 22.4W 2700K CRI90 2933lm
 Luminaire: Only 120 VAC TRIAC 28W 1165lm
 120 - 277 VAC 0-10V 28W 1165lm

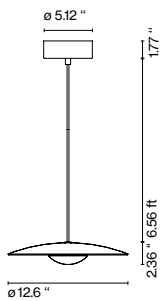
LED-Ginger 42

Light Source: LED SMD 700mA 16.28W 2700K CRI90 1873lm
 Luminaire: 90 - 135 VAC TRIAC 21W 698lm
 120 - 277 VAC 0-10V 21W 698lm

LED-Ginger 32

Light Source: LED SMD 700mA 8.2W 2700K CRI90 913lm
 Luminaire: 100 - 120 VAC TRIAC 14W 350lm
 120 - 277 VAC 0-10V 14W 350lm

LED-Ginger 32



Pressed wood or brushed aluminum diffuser. Injected and lacquered black metal matte aluminum dissipater.



Dry locations only

dimmable

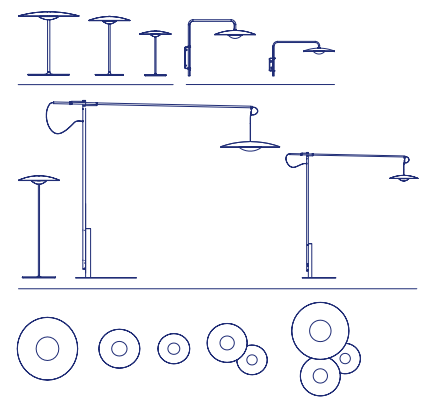
- [Download](#) Assembly Instructions
- [Download](#) Photometric Data
- [Download](#) 2D
- [Download](#) 3D

LED included

- Oak - White
- Wenge - White
- Brushed brass - Brushed brass
- Brushed brass - White
- Black - White

Black electrical cord

Range



WARNING. California Proposition 65 Warning for California Consumers. This product can expose you to chemicals including wood dust and lead which are known to the State of California to cause cancer or birth defects or other reproductive harm. For more information go to www.P65Warnings.ca.gov

Watch the video
marsetusa@marset.com
www.marset.com

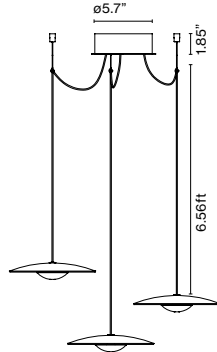
Wood is a great ally of cozy lighting. It is a material that is hard to mold, a challenge that the LED-Ginger collection neatly resolves. The combination of sheets of wood and paper pressed together under high pressure achieves a laminate that appears almost entirely flat.



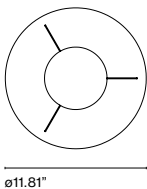
LED-Ginger 20



LED-Ginger 20x3



LED-Ginger 20x3: Canopy accessory



⚠ WARNING. California Proposition 65 Warning for California Consumers. This product can expose you to chemicals including wood dust and lead which are known to the State of California to cause cancer or birth defects or other reproductive harm. For more information go to www.P65Warnings.ca.gov

LED-Ginger 20

Light Source: LED SMD 350mA 4.05W
2700K CRI90 463lm
Luminaria: 90 - 264 VAC 6W 161lm
LED included

LED-Ginger 20x3

Light Source: LED SMD 350mA 12.15W
2700K CRI90 1389lm
Luminaire: Only 120 VAC TRIAC 16W 483lm
120 - 277 VAC 0-10V 16W 483lm

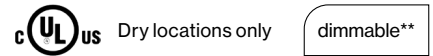
- Oak - Oak
- Wenge - Wenge
- Oak - White
- Wenge - White
- Brushed brass - Brushed brass
- Brushed brass - White
- Black - White

Black electrical cord

Watch the video

marsetusa@marset.com
www.marset.com

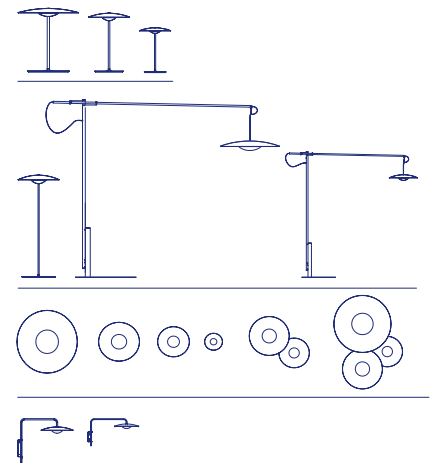
Pressed wood or brushed aluminum diffuser. Injected and lacquered black metal matte aluminum dissipater.



** Only Ginger 20x3 version

- [Download](#) Assembly Instructions
- [Download](#) Photometric Data
- [Download](#) 2D
- [Download](#) 3D

Range



Wood is a great ally of cozy lighting. It is a material that is hard to mold, a challenge that the LED-Ginger collection neatly resolves. The combination of sheets of wood and paper pressed together under high pressure achieves a laminate that appears almost entirely flat.

How LED-Ginger illuminates

