

JIM,
design by Patrick Norguet, 2021

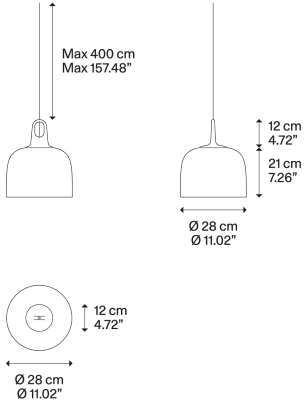
Suspension

Immediate function, uncomplicated style, durable materials, modular at will. Inspired by the abat-jours of the ateliers of the early 1900s, JIM is a system of suspension lamps with distinctive shapes and a versatile composition that suits any interiors and living environment. JIM's versatility is further enhanced by the colour range: the four different finishes for the shades can be combined with the three different suspension hook hues as desired.



LODES

JIM bell



Light source

Medium Base E26 LED
• 1 x 25W
Honey

Frame Methacrylate



Diffuser: Metal

Matte White 9010

Code

169432

Medium Base E26 LED
• 1 x 25W

Honey

Coppery Bronze

169431

Grey

Coppery Bronze

169436

Turquoise

Matte White 9010

169442

Turquoise

Coppery Bronze

169441

Turquoise

Matte Black 9005

169444

Grey

Matte White 9010

169437

Honey

Matte Black 9005

169434

Grey

Matte Black 9005

169439

Honey

Matte Champagne

169433

Turquoise

Matte Champagne

169443

Grey

Matte Champagne

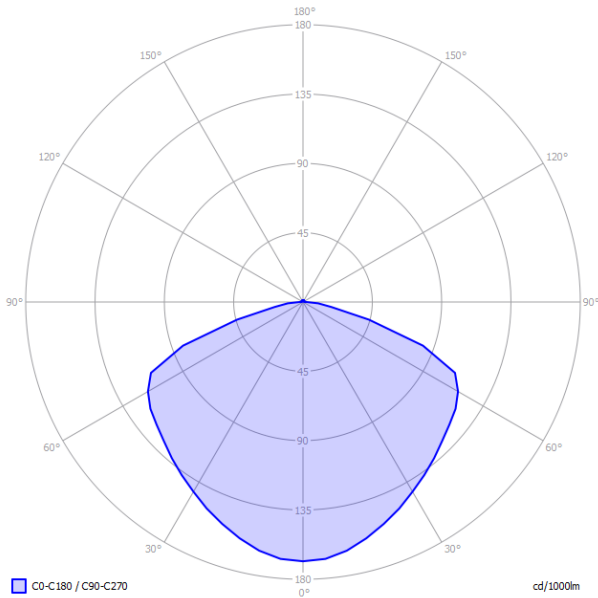
169438

Medium Base E26 LED
• 1 x 25W

Net weight: 1.90 kg	Gross weight: 0.00 kg	Parcels: N°2	Volume: 0.000 m³
---------------------	-----------------------	--------------	------------------



Polar diagram



JIM dome

Medium Base E26 LED

• 1 x 25W

Image not found or type unknown

