

Organic

Typology: Table lamp

Designed by: Manel Llusçà

Table lamp Organic E26 15 Black

The soft and harmonious silhouette of this piece is inspired by the organic shapes of flowers and leaves. Its slightly curved lampshade, featuring a gold interior, subtly and naturally blends into the space.

Technical features

Lampholder: E26

Total power consumption of light (W): 15

Structure Material: Steel

Structure Finish: Black ■

Voltage / Frequency: 120V/60Hz

Warranty: 5 years

Easily recyclable luminaire

Lampholder	Quantity	Light source power (W)	Correlated Colour Temperature (CCT)
E26	1	Max. power 15W	-

Logistics

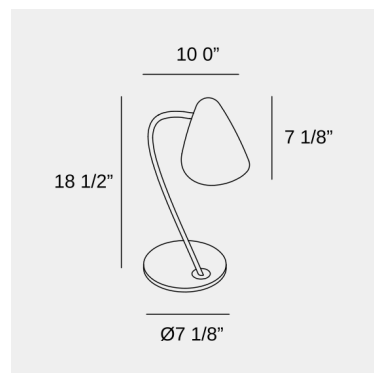
Net weight (lb): 6

Packaged weight (lb): 9

Packaging (in): 13 5/8" x 7 7/8" x 20 1/2"



Export date: 10/06/23



Images do not show North American backplate