



Moal 18"

Typology: Bollard

Bollard WET Moal 18" LED 17.5 LED warm-white 3000K PHASE CUT / 0-10V Cement 729lm

Especially designed for terraces and gardens in hotels, restaurants or residences, Moal creates pieces that have real presence and that play with light and shadow.

Technical features

Lampholder: LED

Total power consumption of light (W): 17.5

Delivered lumens: 729

Correlated Colour Temperature (CCT):

LED warm-white 3000K

Lens / Reflector Angle: HORIZONTAL 105°

Structure Material: Concrete, Aluminium

Structure Finish: Cement

Diffuser Material: Polycarbonate

Diffuser Finish: Transparent

Voltage / Frequency: 120-277V/60Hz

Useful life: 50,000h L80B20

Dimming protocol: PHASE CUT / 0-10V

Warranty: 5 years

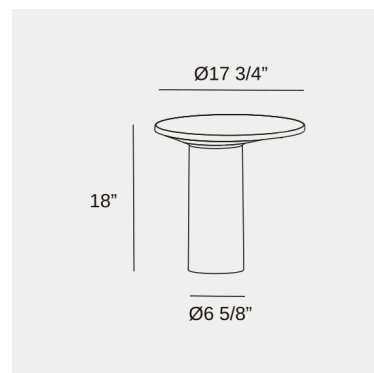
Lampholder	Quantity	Light source power (W)	Correlated Colour Temperature (CCT)
LED	1	14.2W	LED warm-white 3000K

Logistics

WET CRI90



Export date: 10/07/23



Images do not show North American backplate



MOAL USA

Typology: Bollard

Bollard WET MOAL USA LED 17.5 LED warm-white 3000K PHASE CUT / 0-10V Cement 729lm

Especially designed for terraces and gardens in hotels, restaurants or residences, Moal creates pieces that have real presence and that play with light and shadow.

Technical features

Lampholder: LED

Total power consumption of light (W): 17.5

Delivered lumens: 729

Correlated Colour Temperature (CCT):

LED warm-white 3000K

Lens / Reflector Angle: HORIZONTAL 105°

Structure Material: Concrete, Aluminium

Structure Finish: Cement

Diffuser Material: Polycarbonate

Diffuser Finish: Transparent

Voltage / Frequency: 120-277V/50-60Hz

Useful life: 50,000h L80B20

Dimming protocol: PHASE CUT / 0-10V

Warranty: 5 years

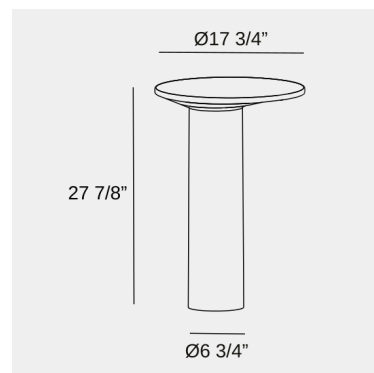
Lampholder	Quantity	Light source power (W)	Correlated Colour Temperature (CCT)
LED	1	14.2W	LED warm-white 3000K

Logistics

WET CRI90



Export date: 10/07/23



Images do not show North American backplate