

WALDORF WALL LARGE



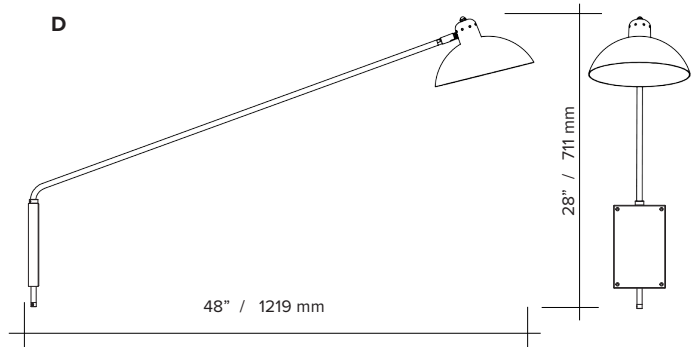
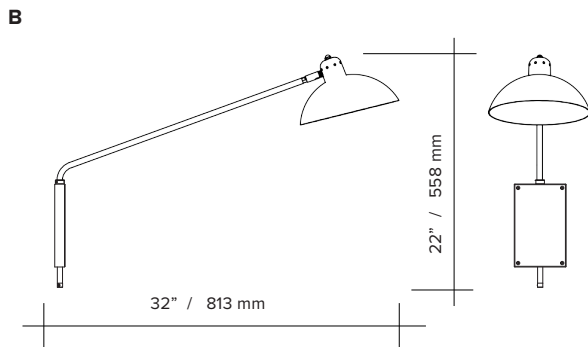
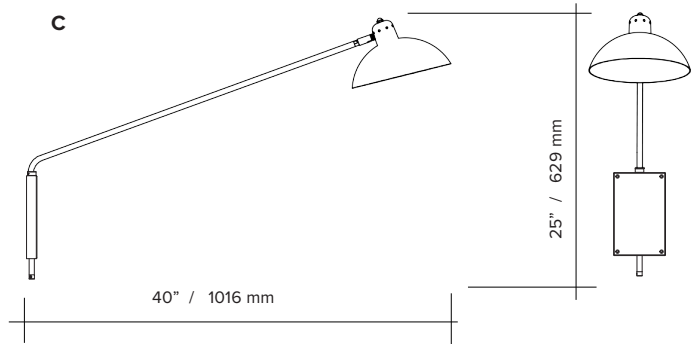
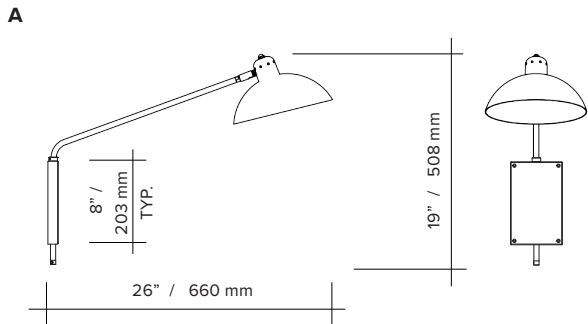
HARDWIRE

SOFTWARE

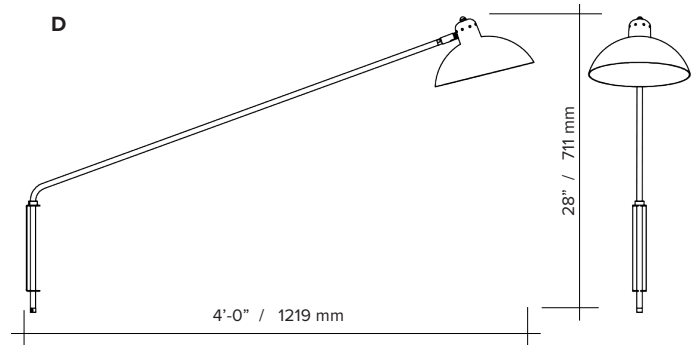
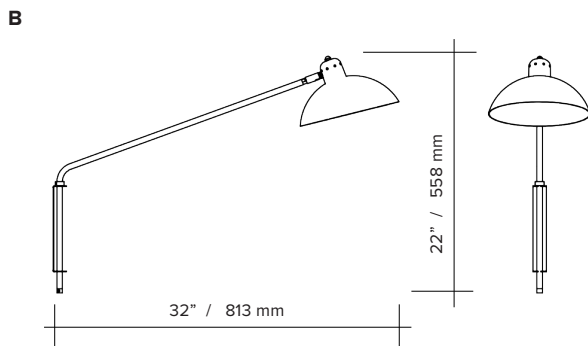
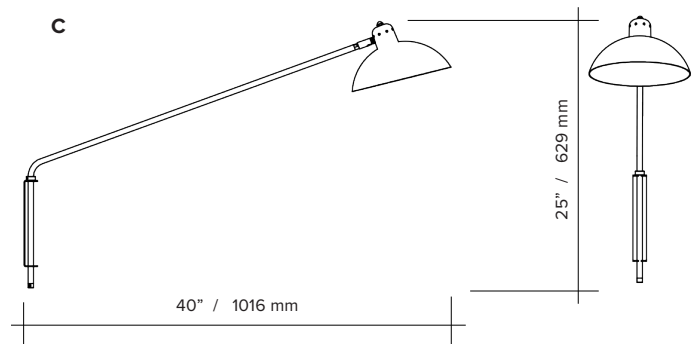
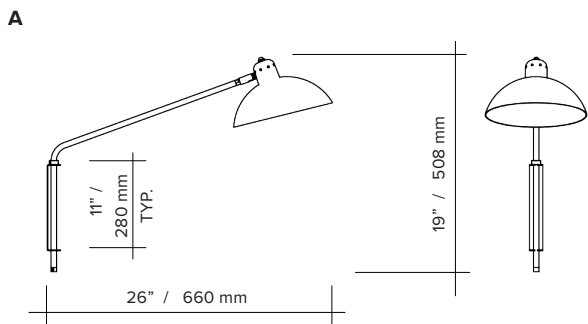


type	wall			
materials	shade :	powder coated steel and aluminium		
	body :	powder coated aluminium		
	sphere :	milk glass (G60)		
	hardware :	brass		
	bracket :	powder coated aluminium		
	wire :	vinyl (SW)		
total length	26"	32"	40"	48"
	660 mm	813 mm	1016 mm	1219 mm
	weight			
	2.2 lb / 1.0 kg			
light bulb	LED (included), 4,5W			
sockets	G9			
voltage	120V / 240V			
dimmer	refer to our recommended list of dimmer models			
certifications				
notes	– must be installed by an electrician (HW)			
	– lead time between 7-9 weeks			
	– dimensions are approximate and may vary slightly			

HARDWIRE



SOFTWARE



ORDER GUIDE: SKU

COLLECTION	MODEL	FINISH (shade and body, hardware)	INSTALLATION	LENGTH
WAL waldorf	06	BLBR black shade and body, brass hardware BLGR black shade and body, graphite hardware WHBR white shade and body, brass hardware	HW hardwire SW softwire	A 26" / 660 mm B 32" / 813 mm C 40" / 1016 mm D 48" / 1219 mm
WAL	06	BLBR	HW	A = WAL06BLBRHWA <i>example</i>

FINISH



brass



flat black

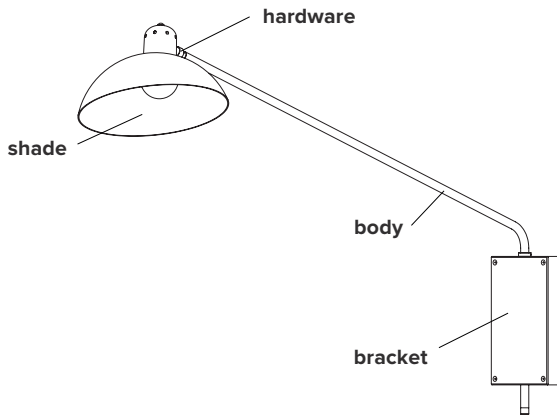


graphite

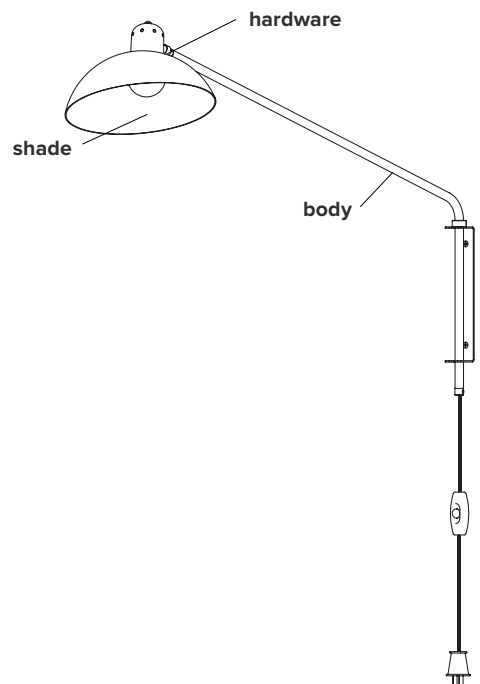


flat white

HARDWIRE

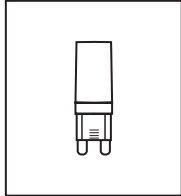


SOFTWIRE



LIGHT BULB & DIMMER SPECIFICATIONS

G9 SOCKETS



Frosted
4.5W
100V-120V / 240V
450 Lumens
2700 K
25 000 H
CRI ≥80
2 years warranty

SPHERES



G60 \varnothing ±2" / 60 mm



DIMMER LIST COMPATIBILITY FOR G9 LED BULBS – 120V

The dimming technology offering the best results is ELV (electronic low voltage) dimmers with reverse phase or trailing edge control.

<u>DIMMER BRAND</u>	<u>MODEL NUMBER</u>	<u>MAX LEVEL</u>	<u>MIN LEVEL</u>	<u>FLICKERING</u>	<u>OVERALL QUOTE</u>
LUTRON - MAESTRO	MAELV-600	100%	0%	0%-10%	good
LUTRON - SKYLARK	SELV-300P	100%	0%	no	very good
LUTRON - SKYLARK	SELV-303P	100%	0%	no	very good
LUTRON - SKYLARK	CTELV-303P	100%	0%	no	very good
LUTRON - DIVA	DVELV-300P	100%	0%	no	very good
LEGRAND - ADORNE	TRUE UNIVERSAL	100%	30%	no	good

DIMMER LIST COMPATIBILITY FOR G9 LED BULBS – 230V

<u>DIMMER BRAND</u>	<u>MODEL NUMBER</u>	<u>MAX LEVEL</u>	<u>MIN LEVEL</u>	<u>FLICKERING</u>	<u>OVERALL QUOTE</u>
VARILIGHT	V-PRO	100%	2%	no	very good
LEGRAND - NILOÉ	3 996 35	87%	15%	no	good
NIKO	310-0280X	94%	5%	no	very good
NIKO	310-0190X	100%	1%	no	very good

*Other dimmers can yield good results and we recommend conducting your own test before final installation.