



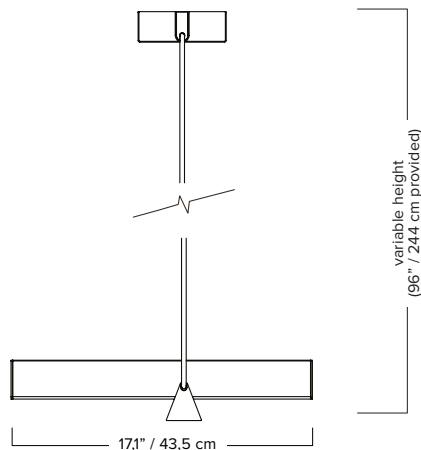
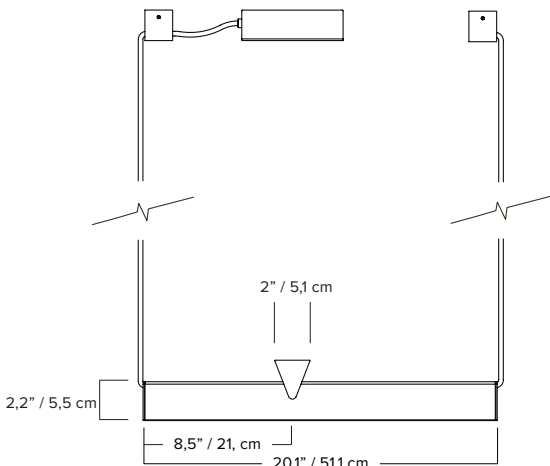
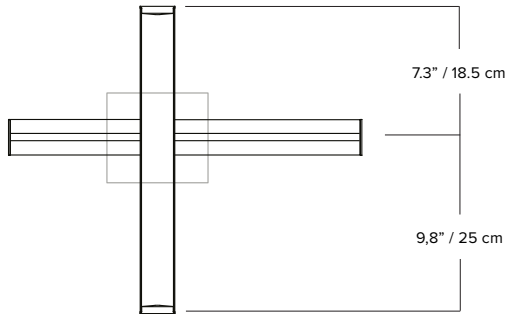




MILE 02

A collaboration between Lambert & Fils and Guillaume Sasseville, Mile offers a variation on the linear suspension, pared down to its simplest, asymmetrical expression, with two lines floating in surprising equilibrium. Direct and indirect light are separated by a 90° pivot, thus marking out space with light. A play on contrasts, Mile is part art installation and part utilitarian light. The use of linear LED technology and the cords clamped into the structure add to the weightless, almost levitating feel of the lamp.

- type:** suspension
- construction:** powder coated or polished aluminum body
powder coated or polished steel anchors
powder coated steel canopy
frosted acrylic diffuser
polyester cord
- specifications:** source: LED array, integrated
power consumption: 19W
lumen output: LED 2700K - 1395lm
LED 3000K - 1436lm
light distribution: 46% Up, 54% Down
colour rendering index: ≥90 CRI
colour consistency: 3 SDCM
expected lifetime: ≥50 000h
- control:** 120/277V on/off, 0-10V or phase dimming (120V only)
220-240V: On/Off, Phase Dimming, DALI
refer to our recommended list of dimmer models
- cord length:** mains/line cord - 120" / 304 cm
non-electrical cord - 96" / 244 cm
- weight:** 3.9 lb / 1.8 kg
- certifications:**     IP20
- warranty:** 2 years



*dimension

ORDER GUIDE: SKU

COLLECTION	MODEL	BODY, CORD AND ANCHOR		CANOPY		COLOUR TEMPERATURE (CCT)		DIMMING	
MIL	Mile	O2 LV	BK black	BK black	WL warm light (2700K)	ZT	0-10V dimming (120V only)		
			BG beige	BG beige	NL neutral light (3000K)	PH	phase dimming		
			BU burgundy	BU burgundy	D27 dim to warm (2700K to 2200K)	DA	DALI (220-240V only)		
			GN green	GN green	D30 dim to warm (3000K to 2200K)				
			WH white	WH white	CCT other CCT available upon request*				
			AL aluminum						
MIL	O2 LV	BK	BK	WL	ZT	= MIL02LVBKKBKWLZT example			

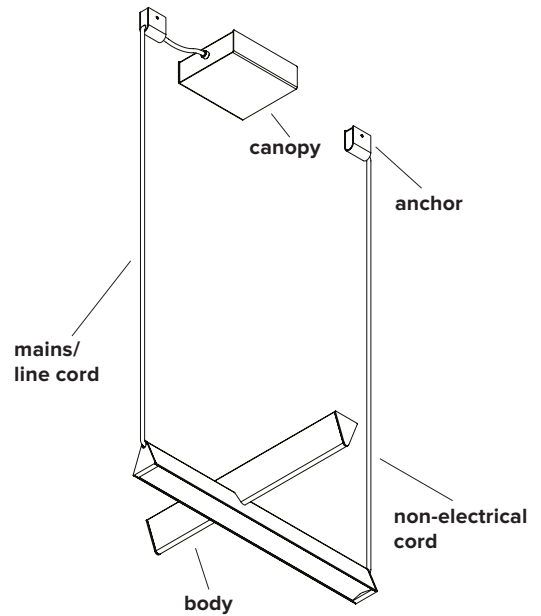
* Specific CCT selection only available in 100K increments, from 2200K to 4000K inclusively. Not available with Dim-to-Warm feature.

FINISH



NOTES

- must be installed by an electrician
- LED may only be changed by Lambert & Fils or other authorized personnel
- not protected against liquids (refer to IP20)
- additional charges for modifications or for special orders
- please refer to maintenance sheet on website for cleaning instructions



DIMMER SPECIFICATIONS

TESTED DIMMER COMPATIBILITY LIST - 120V*

Phase cut dimming (leading edge or trailing edge**)

Dimmer brand	Model	Max level	Min level	Dimming Protocol
Cooper	DAL06P	100%	0%	Phase Cut
Cooper	DLC03P	100%	4%	Phase Cut
Cooper	SLC03P	100%	1%	Phase Cut
Leviton	6161	100%	10%	Phase Cut
Leviton	6631-2	100%	1%	Phase Cut
Leviton	6633-P	100%	1%	Phase Cut
Leviton	6683-IW	100%	0%	Phase Cut
Leviton	IPE04	100%	7%	Phase Cut
Leviton	IPI06-1LZ	100%	0%	Phase Cut
Leviton	VPE06	100%	10%	Phase Cut
Lightrolier	ZP260QEW	100%	6%	Phase Cut
Lutron	CT103P	100%	10%	Phase Cut
Lutron	DV600P	100%	6%	Phase Cut
Lutron	DVCL-153P	100%	1%	Phase Cut
Lutron	DVELV303P	100%	8%	Phase Cut
Lutron	LG600P	100%	8%	Phase Cut
Lutron	MAELV600	100%	7%	Phase Cut
Lutron	S600P	100%	6%	Phase Cut
Lutron	S-603PG	95%	5%	Phase Cut
Lutron	SELV300P	100%	8%	Phase Cut
Lutron	TG-600P	100%	10%	Phase Cut
Lutron	TGCL-153P	100%	1%	Phase Cut

TESTED DIMMER COMPATIBILITY LIST - 230V*

Phase cut dimming (leading edge or trailing edge**)

Dimmer brand	Model	Max level	Min level	Dimming Protocol
Busch Jaeger	6523U	100%	4.5%	Phase Cut
Clipsal	32E450TM	100%	1.7%	Phase Cut
Clipsal	32E450UDM	100%	2.5%	Phase Cut
ELKO	315GLE	100%	0.2%	Phase Cut
ELKO	316GLED	100%	9.1%	Phase Cut
Finder	15.91.8	100%	2.9%	Phase Cut
GIRA	117600/I01	100%	4.4%	Phase Cut
Hager	EVN011	100%	1.1%	Phase Cut
Hager	EVN012	100%	1.1%	Phase Cut
Niko	325	100%	0.1%	Phase Cut
Schneider	40 300 RC	100%	3.1%	Phase Cut

Some dimmers require a minimum load, check specifications.

*Other dimmers that specify LED lamp compatibility may operate without issue. We recommend conducting your own test before final installation.

**Leading edge is also known as TRIAC or Forward Phase. Trailing edge is also known as ELV or Reverse Phase.

EU ENERGY LABEL

