


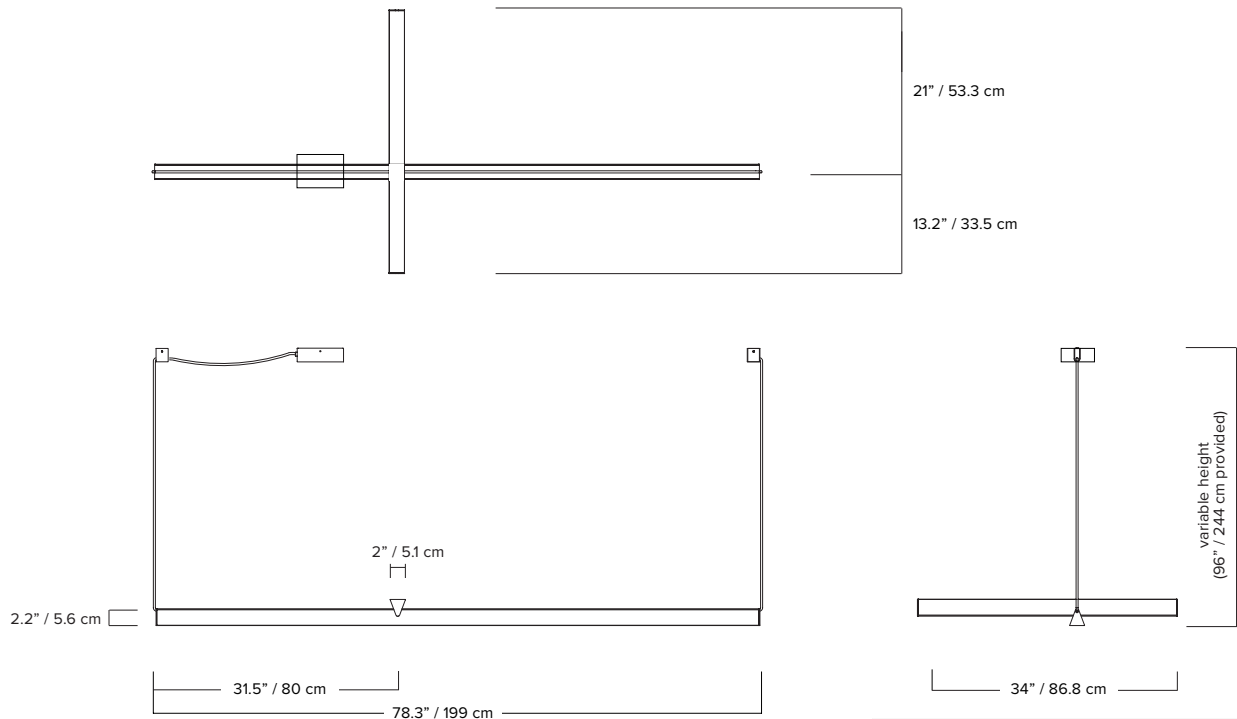


## MILE ATELIER 01

With its aluminum body, the Mile Atelier offers a mirror-like finish, reflecting the surrounding space while providing a unifying focal point. The elongated line, a vertiginous display of balance, provides a grid-like room divider that's both playful and discrete. It seems to melt into the scenery and frame it at the same time.

Mile Collection is a collaboration with designer Guillaume Sasseville.

- type:** suspension
- construction:** polished aluminum body  
polished steel anchors  
powder coated steel canopy  
frosted acrylic diffuser  
braided steel cord
- specifications:** source: LED array, integrated  
power consumption: 40W  
lumen output: LED 2700K - 3124lm  
LED 3000K - 3212lm  
light distribution: 29% Up, 71% Down  
colour rendering index: ≥90 CRI  
colour consistency: 3 SDCM  
expected lifetime: ≥50 000h
- control:** 120/277V on/off, 0-10V or phase dimming (120V only)  
220-240V: On/Off, Phase Dimming, DALI
- cord length:** mains/line cord - 120" / 304 cm  
non-electrical cord - 96" / 244 cm
- weight:** 8 lb / 3.6 kg
- certifications:**     IP20
- warranty:** 2 years



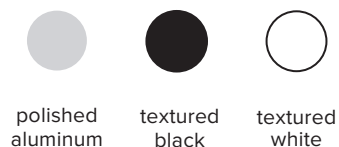
\*dimension

## ORDER GUIDE: SKU

COLLECTION	MODEL	BODY, CORD AND ANCHORS	CANOPY	COLOUR TEMPERATURE (CCT)	DIMMING
MIL Mile	51	AL polished aluminum	BK black WH white	WL warm light (2700K) NL neutral light (3000K) D27 dim to warm (2700K to 2200K) D30 dim to warm (3000K to 2200K) CCT other CCT available upon request*	ZT 0-10V dimming (120V only) PH phase dimming DA DALI (220-240V only)
MIL	51	AL	BK	WL	ZT = MIL51ALBKWLZT <b>example</b>

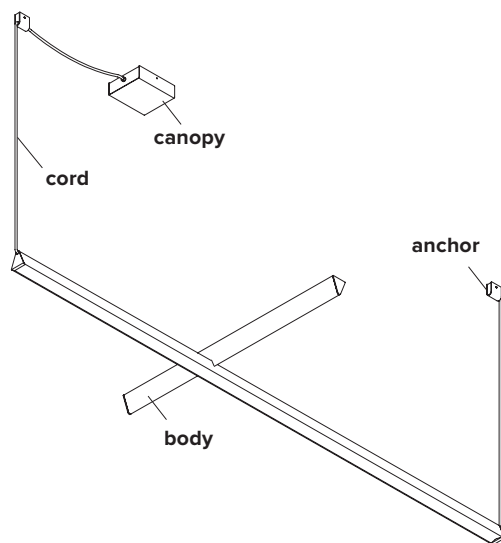
\* Specific CCT selection only available in 100K increments, from 2200K to 4000K inclusively. Not available with Dim-to-Warm feature.

### FINISH

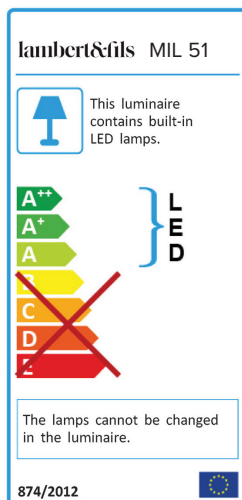


### NOTES

- must be installed by an electrician
- LED may only be changed by Lambert & Fils or other authorized personnel
- not protected against liquids (refer to IP20)
- additional charges for modifications or for special orders
- please refer to maintenance sheet on website for cleaning instructions



### EU ENERGY LABEL



## DIMMER SPECIFICATIONS

### TESTED DIMMER COMPATIBILITY LIST - 120V\*

Phase cut dimming (leading edge or trailing edge\*\*)

Dimmer brand	Model	Max level	Min level	Dimming Protocol
Cooper	DLC03P	100%	2%	Phase Cut
Cooper	SLC03P	100%	1%	Phase Cut
Leviton	IPI06-1LZ	100%	1%	Phase Cut
Leviton	VPE06	100%	10%	Phase Cut
Leviton	6631-2	100%	1%	Phase Cut
Leviton	6633-P	100%	7%	Phase Cut
Leviton	6683-IW	100%	2%	Phase Cut
Lighthouse	ZP260QEW	100%	5%	Phase Cut
Lutron	DVCL-153P	100%	2%	Phase Cut
Lutron	DVELV303P	100%	9%	Phase Cut
Lutron	DV600P	100%	3%	Phase Cut
Lutron	LG600P	100%	5%	Phase Cut
Lutron	MAELV600	100%	3%	Phase Cut
Lutron	SELV300P	100%	9%	Phase Cut
Lutron	S600P	100%	9%	Phase Cut
Lutron	S-603PG	97%	10%	Phase Cut
Lutron	TG-600P	100%	10%	Phase Cut
Lutron	TGCL-153P	100%	2%	Phase Cut

### TESTED DIMMER COMPATIBILITY LIST - 230V\*

Phase cut dimming (leading edge or trailing edge\*\*)

Dimmer brand	Model	Max level	Min level	Dimming Protocol
Clipsal	32E450TM	100%	1.9%	Phase Cut
Clipsal	32E450UDM	100%	2.4%	Phase Cut
DIGINET	MEDM	100%	0.0%	Phase Cut
DIGINET	MMDM/PB	100%	0.0%	Phase Cut
ELKO	315GLE	100%	0.3%	Phase Cut
ELKO	316GLED	100%	2.2%	Phase Cut
GIRA	117600/I01	100%	3.4%	Phase Cut
Legrand	78401	100%	0.0%	Phase Cut
Niko	325	100%	0.0%	Phase Cut
Schneider	40300 RC	100%	2.3%	Phase Cut

Some dimmers require a minimum load, check specifications.

\*Other dimmers that specify LED lamp compatibility may operate without issue.

We recommend conducting your own test before final installation.

\*\*Leading edge is also known as TRIAC or Forward Phase.

Trailing edge is also known as ELV or Reverse Phase.