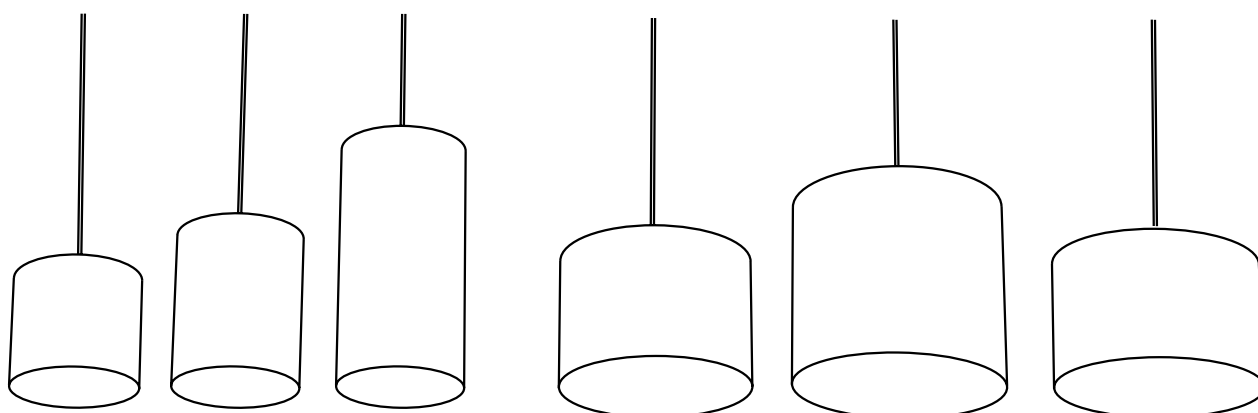




## Small Drum



7.8 x 7

7.8 x 9.8

7.8 x 15.7

11.8 x 8.2

12.9 x 11.8

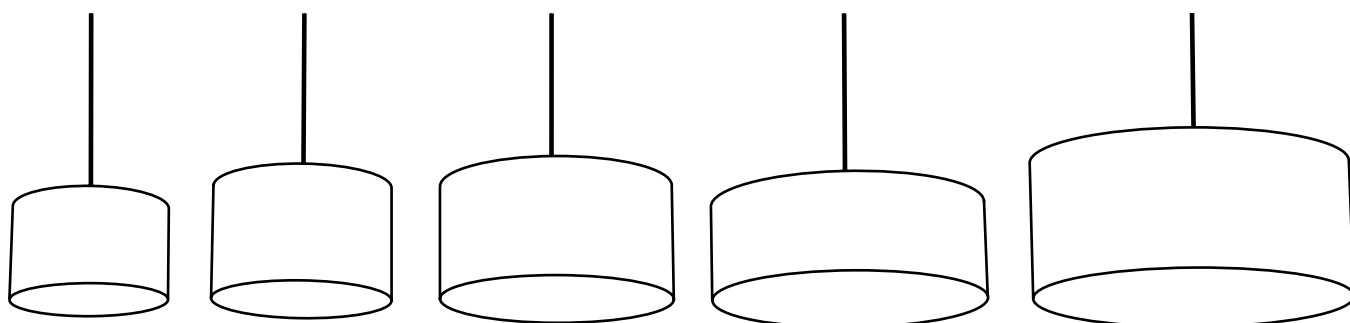
12.9 x 7.8

Sizes in (DxH)

Versatile cylindrical shades which work equally well with floor and table bases as they do as pendant or ceiling shades.



## Large Drum



15.7 x 9.8

18.1 x 11.8

23.6 x 11.8

27.5 x 9.8

31.4 x 13.7

Sizes in (DxH)

Most suited for larger spaces. Can also be used with floor bases (except the 70) or with our ceiling fitting.



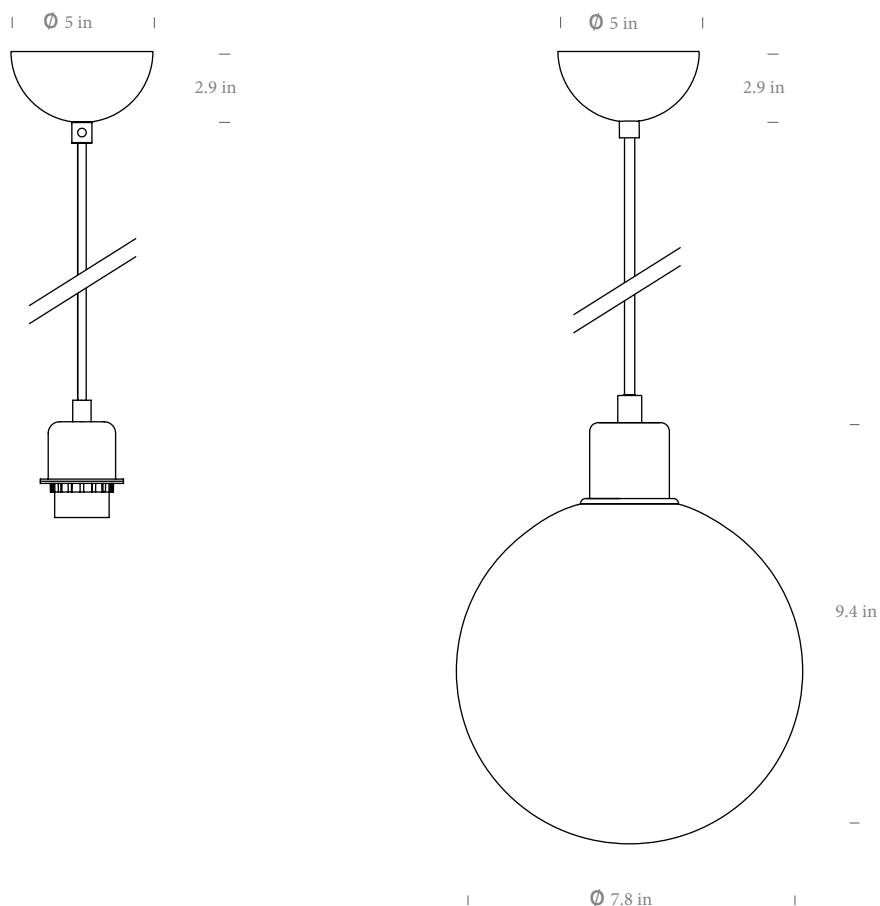
**illuminaTions**

425 Peachtree Hills Ave. NE #3 Atlanta, GA 30305  
404.876.1064 sales@illumco.com

# CAE

Our most popular pendant electrics, the CAE fitting comes with an E27 ES bulbholder and 1.8m of cable which can easily be shortened to suit.

Available in two finishes as standard. Also available by special request; 20cm glass globe diffuser, multiple ceiling roses for shade clusters, longer cable lengths for higher ceilings and other cable colours.



**CAE27**

**CAE27**  
with 20cm frosted glass globe

**Materials :** Stainless Steel

**Colour :** White / Satin Nickel

**Lightsource :** E27 Max 15W LED (not included)

**Recommended Bulb :** LED bulbs 400 - 1000 lumen output and from 2700K

**Ceiling Rose :** Hemisphere. Colour to match fitting

**Cable :** 1.8m

White- white PVC cable

Satin Nickel- clear PVC cable

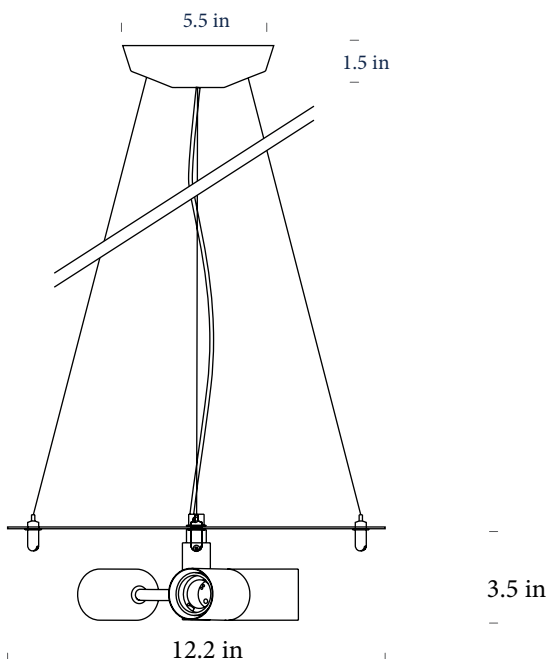
**USA Spec available on request**

 **illuminaTions**

425 Peachtree Hills Ave. NE #3 Atlanta, GA 30305  
404.876.1064 sales@illumco.com

# 3CAE

Recommended for use with round shades of diameters of 60cm or more, the 3CAE has 3 E27 ES bulbholders and a tensile wire hanging kit that makes installation and levelling very easy.



**3 CAE27 White 4m**

**CAE27 Satin Nickel 4m**

**Materials : Stainless Steel**

**Colour : White / Satin Nickel**

**Lightsource : 3xE27 Max 15W LED (not included)**

**Recommended Bulb : LED bulbs 400 - 1000 lumen output and from 2700K**

**Ceiling Rose : Hemisphere. Colour to match fitting**

**Cable : 4m with 3 tensile wires**

**White- white PVC cable**

**Satin Nickel- clear PVC cable**



**illuminaitions**

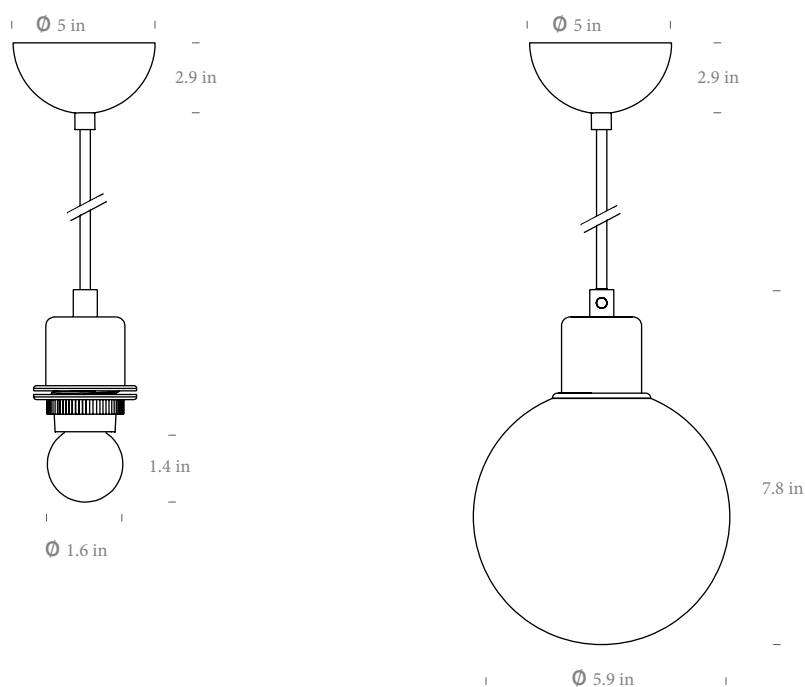
425 Peachtree Hills Ave. NE #3 Atlanta, GA 30305  
404.876.1064

sales@illumco.com

# DropLED Fitting

An evolution of the traditional ceiling assembly, DropLED gives all pendants a dedicated LED option. The simple, dimmable LED module does not require complicated installation and consumes minimal energy while providing beautiful lighting.

DropLED fits any standard E27 shade and comes with 2 lens options that can be easily clipped on to achieve the preferred lighting effect.



**DropLED**

**DropLED  
with 15cm glass diffuser**

**Materials :** Stainless Steel

**Colour :** White / Satin Nickel / Black

**Lightsource :** Integrated 12W AC LED Unit, 900 lumen, 3000K,  
CRI 90, dimmable via Triac / Lutron chip life 30,000 hrs,  
compatible with Casambi bluetooth control system

**Ceiling Rose :** Hemisphere. Colour to match fitting

**Cable :** 4m

White- white PVC cable  
Satin Nickel- clear PVC cable  
Black- black PVC cable

**USA Spec available on request**

 **illuminaitions**

425 Peachtree Hills Ave. NE #3 Atlanta, GA 30305  
404.876.1064 sales@illumco.com



# Telford

Polyester

Our most versatile fabric, Telford, name after our home town, is available in 20 colours and looks great on all shapes and sizes.



Suitable for all shade shapes and sizes, see page 4 for details.

Materials : Woven Polyester

Acoustic Absorbancy : ●●○○○

Price category : A

Innermost recommends:

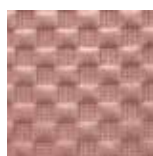
The ideal fabric for mixing and matching multiple colours.



# Harrogate

Quilted velvet

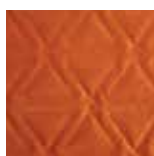
Add some luxury to your interior with these beautiful velvets available in five different coloured quilted patterns. The sumptuous quilting makes these fabrics extra thick and soft.



Pink  
Square



Grey  
Rectangles



Burnt Orange  
Triangles



Blue  
Waves



Chocolate  
Tristar

Suitable for all Drum shapes  
Materials : Quilted velvet  
Acoustic Absorbancy : ●●●●●●  
Price category : C

Innermost recommends:  
Complete your pendant with a cotton diffuser.

 **illuminaTions**  
425 Peachtree Hills Ave. NE #3 Atlanta, GA 30305  
404.876.1064 sales@illumco.com





# Stafford

Polyethylene

This contemporary collection is taken from the world of contract wall-coverings. These earthy textural woven materials suit a natural colour palette.



Herringbone  
Tan

Herringbone  
Black

Red

Black

Dark Red

Blue

Suitable for all shade shapes and sizes, see page 4 for details.

Materials : Woven Polyester

Acoustic Absorbancy : ●●●●●

Fire Rated, Wipeable, Anti bac and Marine

Price category : C

Innermost recommends:

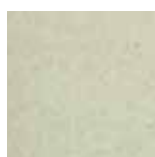
Being wipeable, Stafford is perfect for lampshades where cle





# Wenlock Wool felt

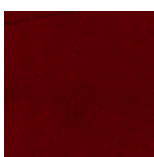
A soft natural wool felt in rich colours to bring added warmth to any interior.



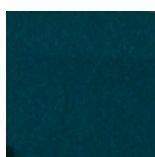
Natural



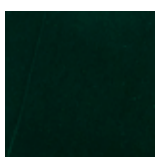
Orange



Red



Ocean Blue



Dark Green



Navy



Charcoal

Suitable for all shade shapes and sizes, see page 4 for details.

Materials : Wool felt

Acoustic Absorbancy : ●●●●○

Price category : D

Innermost recommends:

Works well for both ceiling and table lamps to add texture to



**illuminaitions**

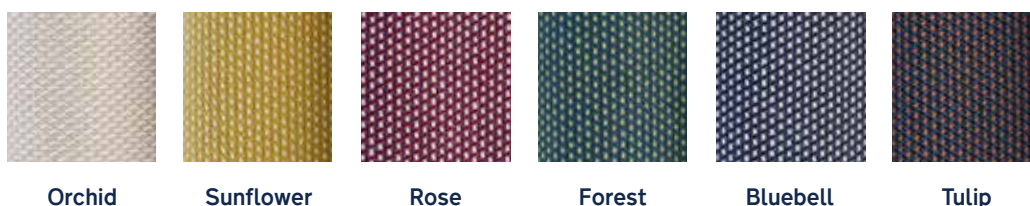
425 Peachtree Hills Ave. NE #3 Atlanta, GA 30305  
404.876.1064

sales@illumco.com



# Creation Baumann Polyester

Création Baumann have been weaving world-renowned fabrics in Switzerland since 1886. We made this selection from their Arik collection as we believe they make great contemporary lampshades that will complement any interior. The fabric has a two-tone micro-pattern which results in an interplay with up to three colour nuances depending on the angle of vision.



Suitable for all shade shapes and sizes, see page 4 for details.

Materials : Polyester

Acoustic Absorbancy : ●●●●●●

Price category : F

Innermost recommends:

Works best on large round & donut pendant and ceiling shapes.





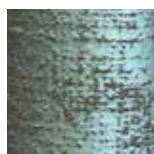
# Colefax Indra

Viscose polyester acrylic

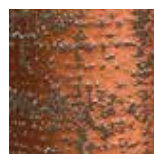
A lustrous textured fabric from the British fabric house Colefax & Fowler that uses a satin warp and strong woven textures to achieve the effect of hammered metal. Polished and sleek, we have it as standard in 3 burnished tones of Copper, Teal and Silver.



Silver



Teal



Copper

Suitable for all shade shapes and sizes, see page 4 for details.

Materials : Viscose Polyester Acrylic

Acoustic Absorbancy : ●●●●●●

Price category : G

Innermost recommends:

The sheen of these shades are perfect for adding sophisticated and low-key luxury.

 **illumination**s

425 Peachtree Hills Ave. NE #3 Atlanta, GA 30305  
404.876.1064

sales@illumco.com