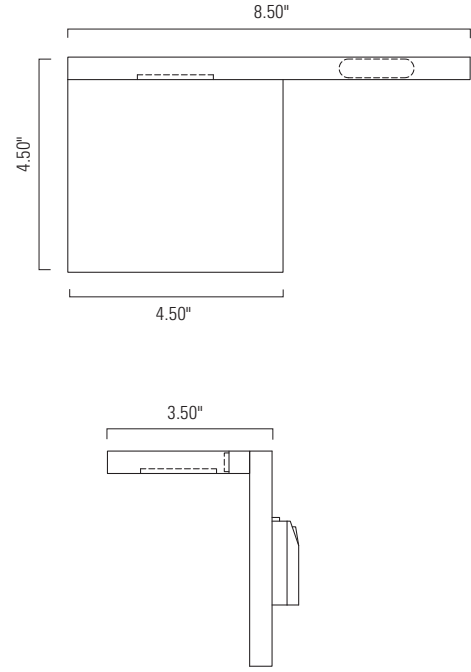


Product Name **Edge Sconce**  
Model Number **EDG**



Edge Brushed Aluminum BA



Two sources of LED illumination



Edge sconce can be customized with ADA room numbers and or letter characters contact factory.



front view

**LED** **ADA**

Product Name / Model / Dimensions			Mounting Options	Diffuser Options	Finish Options	Lamping Options
Edge Sconce / EDG Brushed Aluminum BA			<b>Standard</b> Wall Mount / WM	<b>Standard</b> Shiny Opal Acrylic / AC	<b>Standard</b> Brushed Aluminum / BA	<b>Standard</b> LED / LED* (2) 320lm 4000K CCT Non dimmable  *3000K CCT Contact factory
Height	Width	Projection				
4.50"	8.50"	3.50"				

EXTERIOR + UL WET LISTED + LED + METAL

# GUESTROOM NUMBERS

## EDG1



### DESIGN 1

Sign Type: Room ID  
 Dimensions: 3 3/4"W x 3"H  
 Description: Raised w/Grade II Braille  
 COPY: Black  
 COLOR: ITC Avant Garde Gothic Std  
 FONT: 1/4" Thermocrylic  
 FACE B/G: Metal Laminate of Choice  
 BACKER: Polished Clear Backer  
 MOUNT: D/F Tape and Silicone

PLEASE CHOOSE FROM THE FOLLOWING:  
 1 - ALUMINUM 2 - BRUSHED GOLD 3 - LT. BRONZE 4 - MED. BRONZE

## EDG2



### DESIGN 2

Sign Type: Room ID  
 Dimensions: 3 3/4"W x 3"H  
 Description: Raised w/Grade II Braille  
 COPY: Black  
 COLOR: ITC Avant Garde Gothic Std  
 FONT: 1/4" Thermocrylic  
 FACE B/G: Wood Laminate of Choice  
 BACKER: Polished Clear Backer  
 MOUNT: D/F Tape and Silicone

PLEASE CHOOSE FROM THE FOLLOWING:  
 1 - COCOBOLA 2 - FOUNTAIN PEAR 3 - STUDIO TEAK 4 - BEGEWOOD

## EDG3



### DESIGN 3

Sign Type: Room ID  
 Dimensions: 3 3/4"W x 3"H  
 Description: Raised w/Grade II Braille  
 COPY: Black  
 COLOR: ITC Avant Garde Gothic Std  
 FONT: 1/4" Thermocrylic  
 FACE B/G: Reverse Digital Print Image of Choice  
 MOUNT: D/F Tape and Silicone

PLEASE CHOOSE FROM THE FOLLOWING:  
 1 - SAND 2 - SILKWOOD 3 - THATCH 4 - WATER 1

## EDG4



### DESIGN 4

Sign Type: Room ID  
 Dimensions: 3 3/4"W x 3"H  
 Description: Raised w/Grade II Braille  
 COPY: White  
 COLOR: ITC Avant Garde Gothic Std  
 FONT: 1/8" Thermocrylic  
 FACE B/G: Reverse Painted Color of Choice  
 MOUNT: D/F Tape and Silicone

PLEASE CHOOSE FROM THE FOLLOWING:  
 1 - CHARCOAL GRAY 2 - NAVY BLUE 3 - HORY C - PROVIDE A COLOR

PLEASE CHOOSE ONE OF THE FOLLOWING  
**FONTS:**

- ITC Avant Garde Gothic Std: 0123456789
- Myanmar MN: 0123456789
- Spartan LT Std: 0123456789

# ILLEX

 Custom Metalcraft

 davis muller LIGHTING

illexlight.com

HOSPITALITY COMMERCIAL CUSTOM LIGHTING

 illuminations

425 Peachtree Hills Ave. NE #3 Atlanta, GA 30305  
 404.876.1064 sales@illumco.com