

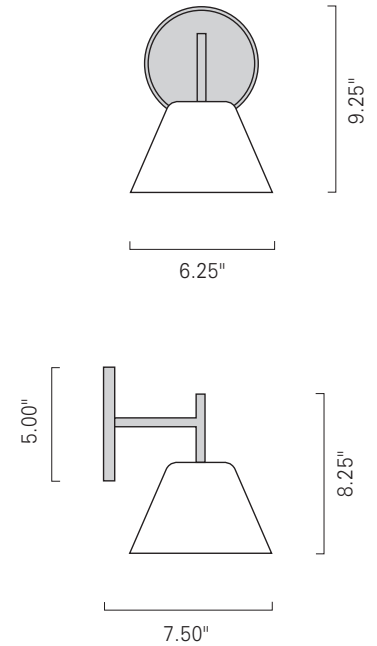
Product Name **Amber Sconce**

Model Number **AMB**

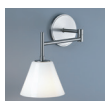


Amber Sconce, AMB
Amber AM
Brushed Nickel BN

Amber Sconce, AMB
Shiny White SH
Brushed Nickel BN



Product Name / Model / Dimensions			Mounting Options	Diffuser Options	Finish Options	Lamping Options
Amber Sconce / AMB			Standard Wall Mount/ WM	Standard Amber / AM Shiny Opal Glass / SH	Standard Architectural Bronze / AB Polished Brass / PB Satin Brass / SB Premium Brushed Nickel / BN Polished Nickel / PN	Standard Incandescent / IN (1) 60W max candelabra Globe bulb G161/2
Height	Width	Projection				
9.25"	6.25"	7.50"				



The Amber Swing is a complementary product to pair with the Amber Sconce, the Amber Swing offers a 16.50" arm extension.