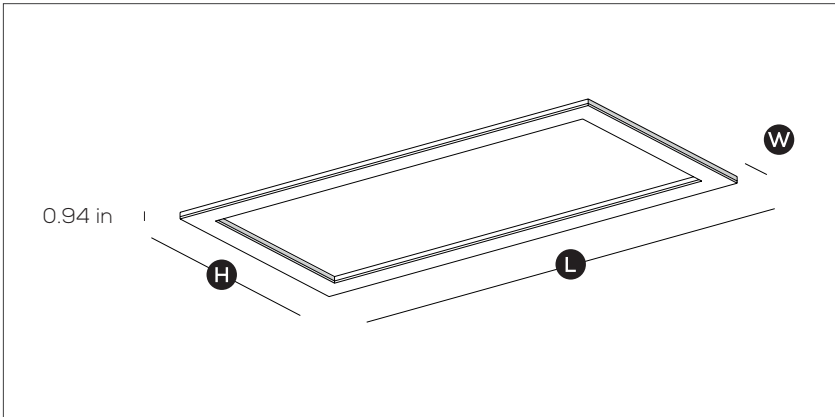




FRAME CEILING

FOLIO®



ELECTRICAL SPECS.

Voltage: 24 V DC
 Driver - transformer: AC/DC 24 V
 Consumption P1: 120 W
 Consumption P2: 216 W
 Dimmability: DMX, DALI, 1-10 V (with PWM) and Potentiometer (with PWM)

PHYSICAL SPECS.

Thickness: 0.94 in
 Weight: 48.50 lb
 Materials: Acrylic (PMMA) - Aluminium
 Size: **H** 39.37 in
L 78.74 in
W 5.91 in

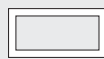
LED

Luminous flux output P1: 3575 lm
 Luminous flux output P2: 6500 lm
 LED color temp. (CCT): 2700 K, 3000 K, 4000 K
 Color rendering index: RA min. 90 - R9 min. 50
 LED positioning: On the external perimeter and/or the internal perimeter

GENERAL SPECS.

Mounting: Ceiling lamp
 Environment of use: Indoor
 Estimated LED Lifespan: 50,000 hours
 Warranty: 2 years

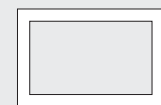
W 5.91
39.37 x 78.74 in



W 5.91
59.06 x 98.43 in



W 9.84
78.74 x 118.11 in



Voltage: 24 V DC
 Driver - transformer: AC/DC 24 V
 Consumption P1: 160 W
 Consumption P2: 296 W
 Dimmability: DMX, DALI, 1-10 V (with PWM) and Potentiometer (with PWM)

Thickness: 0.94 in
 Weight: 66.14 lb
 Materials: Acrylic (PMMA) - Aluminium
 Size: 59.06 in
 98.43 in
 5.91 in

Luminous flux output P1: 4840 lm
 Luminous flux output P2: 8800 lm
 LED color temp. (CCT): 2700 K, 3000 K, 4000 K
 Color rendering index: RA min. 90 - R9 min. 50
 LED positioning: On the external perimeter and/or the internal perimeter

Mounting: Ceiling lamp
 Environment of use: Indoor
 Estimated LED Lifespan: 50,000 hours
 Warranty: 2 years

Voltage: 24 V DC
 Driver - transformer: AC/DC 24 V
 Consumption P1: 200 W
 Consumption P2: 360 W
 Dimmability: DMX, DALI, 1-10 V (with PWM) and Potentiometer (with PWM)

Thickness: 0.94 in
 Weight: 132.28 lb
 Materials: Acrylic (PMMA) - Aluminium
 Size: 78.74 in
 118.11 in
 9.84 in

Luminous flux output P1: 6254 lm
 Luminous flux output P2: 25004 lm
 LED color temp. (CCT): 2700 K, 3000 K, 4000 K
 Color rendering index: RA min. 90 - R9 min. 50
 LED positioning: On the external perimeter and/or the internal perimeter

Mounting: Ceiling lamp

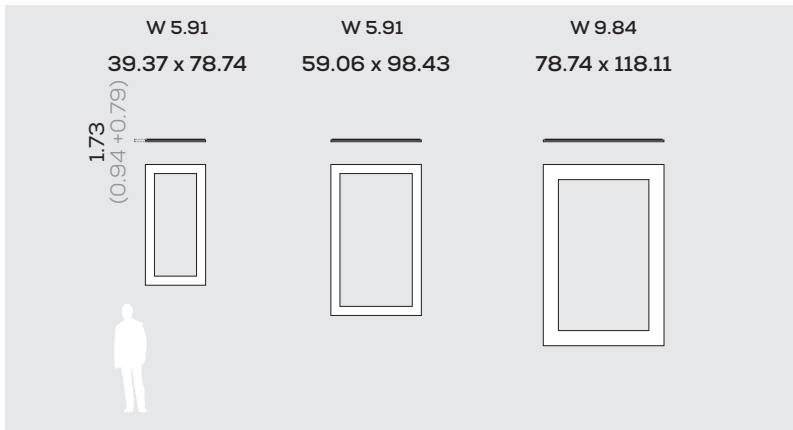
illuminaTions
 425 Peachtree Hills Ave. NE #3 Atlanta, GA 30305
 404.876.1064 sales@illumco.com



FRAME CEILING



SIZES AND FINISHES

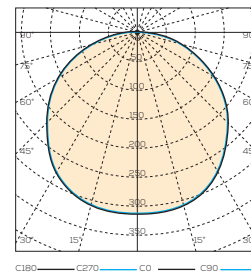


White Black Ox

TECHNICAL DESCRIPTION

Frame is the series of FOLIO® products with rectangular and square frame, with a thickness of 0.94 in, width up to 78.74 in and length up to 118.11 in. LED panels with transparent methacrylate slab with microprism laser incision, 0.39 in opal diffuser (PMMA) and 0.55 in aluminum case. Single or double LED installed on the internal and/or external perimeter of the panel.

POLAR DIAGRAM [cd/klm]



Available on request in different sizes and special finishes.

Product code see Frame brochure pag. 31

APPLICATIONS



illuminations
 425 Peachtree Hills Ave. NE #3 Atlanta, GA 30305
 404.876.1064 sales@illumco.com