

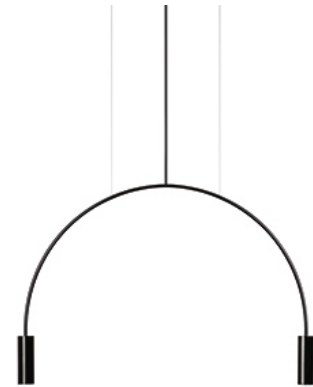
VOLTA T-3535

suspension

Date	Type
Project	
Location	
Model #	Quantity
Specifier	

Description

Suspension lamp with a curved metallic body, cylindrical aluminium heads and acrylic (PMMA) lens diffusers. Adjustable height. Optional 50° angle acrylic optic lens conversion kit.



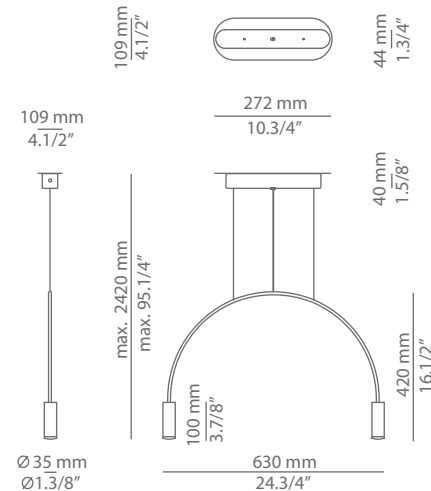
Pictures above might not show the specified dimensions or material. They are for illustration purposes only.

Ordering information

Code	Lamp	Canopy	Finish body	Finish head
■ T-3535-W	■ LED 2x6.1W (2700K / Ang 120° / >80 CRI / 350mA) 120V (included) / Typ* 2x665 lumens Dimmable Triac / Driver included	■ 26 BLK Black ■ 71 WH White	■ 26 BLK Black	■ 26 BLK Black ■ 61 S GLD Satin Gold

Product includes

Code	Description
■ 113635XX0U	■ 1 canopy for 1 single pedant
■ T-3535C	■ 1 Volta pendant
■ 671000036	■ 1 driver / Dimmable Triac



SPECIAL REQUIREMENTS

Custom versions

We offer custom plated or RAL finishes. Alternate lamping and versions available for projects. Consult our offices.

Special instructions



ESTILUZ Inc. USA & CANADA
330 West 38th St. Suite 710
New York, NY 10018 USA
T+1 (646) 454 - 1285
F+1 (646) 454 - 1799

info@estiluzusa.com
www.estiluzusa.com



425 Peachtree Hills Ave. NE #3 Atlanta, GA 30305
404.876.1064
sales@illumco.com