

LAVERD

T-3805 / T-3806

suspension

Date	Type
Project	
Location	
Model #	Quantity
Specifier	

Description

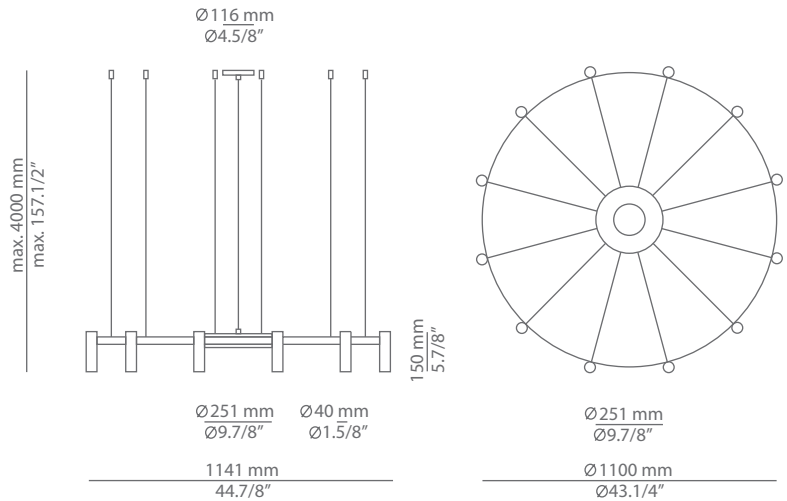
Metallic suspension light with circular body.
Cylindrical heads with acrylic diffusers projecting light up and down.
Integrated dimmable LED 0-10V.
Adjustable height and can be assembled in to different shapes.



Pictures above might not show the specified dimensions or material. They are for illustration purposes only.

Ordering information

Product Code	Lamp	Finish body	Finish head
T-3806	LED 24x3W (2700K / Ang 120° / >90 CRI / 24V) 100V - 277V / Typ* 24x300 lumens Dimmable 0-10V / Up and down light	<ul style="list-style-type: none"> 26 BLK Black CUSTOM 	<ul style="list-style-type: none"> 26 BLK Black 61 S GLD Satin Gold CUSTOM



SPECIAL REQUIREMENTS

Custom finishes and versions

We offer custom RAL finishes.

Alternate lamping and sizes available for projects. Consult our offices.

Special instructions



ESTILUZ Inc. USA & CANADA
330 West 38th St., Suite 710
New York, NY 10018
T+1 (646) 454-1285
F+1 (646) 454-1799

info@estiluzusa.com
www.estiluz.com



425 Peachtree Hills Ave. NE #3 Atlanta, GA 30305
404.876.1064
sales@illumco.com