

# CUPOLINA

p-3939

## reading lamp

Date	Type
Project	
Location	
Model #	Quantity
Specifier	

### Description

Reading lamp with a curved metal body, aluminium dome head, acrylic lens diffuser and integral LED. On/Off cord switch.



Pictures above might not show the specified dimensions or material. They are for illustration purposes only.

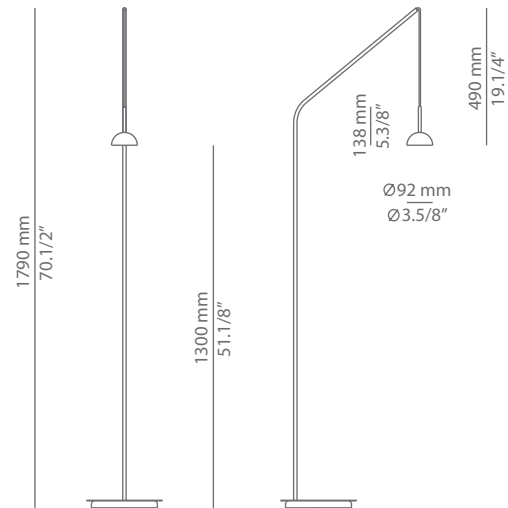
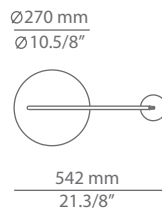
### Ordering information

Product Code	Lamp	Finish
p-3939	LED 6.2W (led included) (2700K / Ang 70° / >90 CRI / 350mA) 120V / Typ* 725 lumens On/Off cord switch	<ul style="list-style-type: none"> <li>26 BLK Black</li> <li>74 WH White</li> <li>59 TC Terracotta</li> <li>CUSTOM</li> </ul>

### SPECIAL REQUIREMENTS

#### Custom finishes and versions

We offer custom plated or RAL finishes and shades. Alternate lamping and sizes available for projects. Consult our offices.



### Special instructions



ESTILUZ Inc. USA & CANADA  
330 West 38th St. Suite 710  
New York, NY 10018 USA  
T+1 (646) 454 - 1285  
F+1 (646) 454 - 1799

info@estiluzusa.com  
www.estiluz.com