

**Typology:** Table lamp

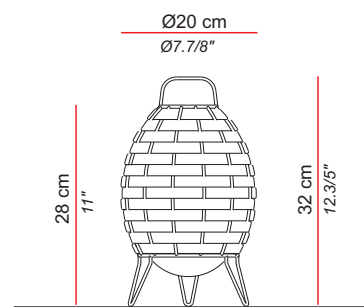
## Description / Descripción

Lampshade with metal structure treated for outdoors (nanophoresis), painted in grey RAL7032 and braided with UV-treated flecked textile material. Ø15 (6") matt opal polyethylene globe. LED lighting system.

*Luminarias de estructura metálica con tratamiento para exterior (nanoforesis), pintada en gris RAL7032 y trenzado con material textil jaspeado tratamiento UV.*

*Esfera de vidrio Ø15cm (6") opal mate. Sistema de iluminación LED.*

## General measures / Medidas generales



## Light bulb / bombillas

Voltage: 220-230V / 50-60Hz  
120V / 60Hz (USA)

### European version

CC.101



1xE27 LED 6W 2700K  
(included)

### USA version

TUS.CC.101



LED 10W 120V 2700K 850lm  
Dimmable TRIAC

## Packaging / Embalaje

1 box

32x32x25 cm / 0,025 m<sup>3</sup>  
13"x13"x10" / 0,9 ft<sup>3</sup>

Peso neto: 1,2 Kg  
Net weight: 2,6 lb

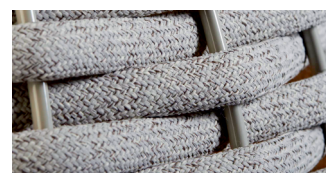
## Features & finishings / Características

**Structure: Metal lacquered RAL7032**  
*Treated by nanoforesis*

**Material: Textile coated neoprene.**

*Estructura: Metal lacado RAL7032.*  
*Tratamiento nanoforesis*

*Material: Neopreno recubierto de textil*



**Stainless steelstructure. Lacquered RAL7032**  
*Estructura de acero inoxidable. Lacado RAL7032*

**Glass sphere diffuser. Matt opal**  
*Esfera de vidrio. Opal mate*

### Certifications:



### USA Certifications:



*Suitable for outdoor use / Apta para uso exterior*

