

Typology: Floor lamp.

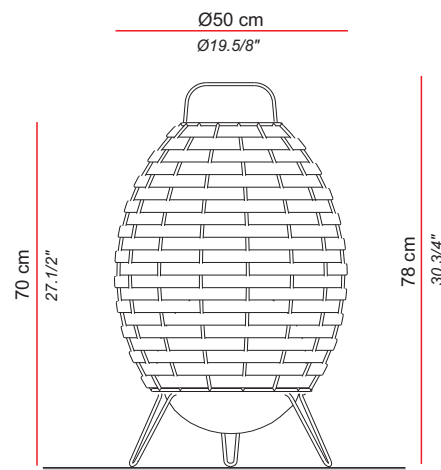
Description / Descripción

Lamphade with metal structure treated for outdoors (nanophoresis), painted in grey RAL7032 and braided with UV-treated flecked textile material. Ø30 (12") matt opal polyethylene globe.

Luminarias de estructura metálica con tratamiento para exterior (nanoforesis), pintada en gris RAL7032 y trenzado con material textil jaspeado tratamiento UV.

Esfera de vidrio Ø30cm (12") opal mate.

General measures / Medidas generales



Light bulb / bombillas

Voltage: 220-230V / 50-60Hz
120V / 60Hz (USA)

European version

CC.102



1xE27 LED 14W
(included)

USA version

TUS.CC.102

1x14W LED Medium base 120V
(not included)

Packaging / Embalaje

1 box

52x52x80 cm / 0,22 m³
21"x21"x32" / 7,7 ft³

Peso neto: 6 Kg
Net weight: 13 lb

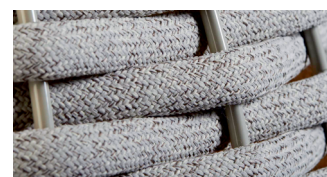
Features & finishings / Características

Structure: Metal lacquered RAL7032
Treated by nanoforesis

Material: Textile coated neoprene.

Estructura: Metal lacado RAL7032.
Tratamiento nanoforesis

Material: Neopreno recubierto de textil



Stainless steelstructure. Lacquered RAL7032
Estructura de acero inoxidable. Lacado RAL7032

Glass sphere diffuser. Matt opal
Esfera de vidrio. Opal mate

Certifications:



USA Certifications:



Suitable for outdoor use / Apta para uso exterior

Typology: Floor lamp.

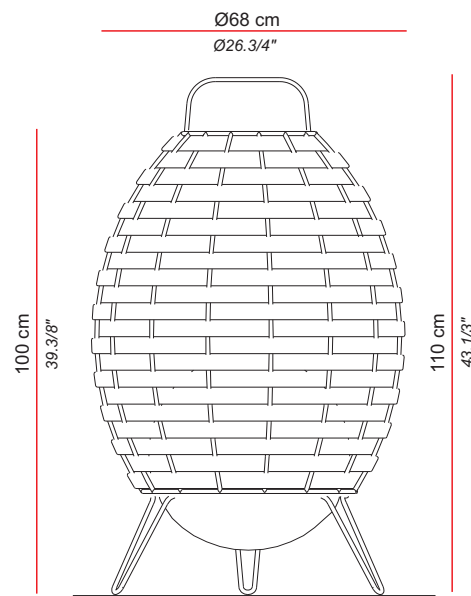
Description / Descripción

Lampshade with metal structure treated for outdoors (nanophoresis), painted in grey RAL7032 and braided with UV-treated flecked textile material. Ø40 (15.3/4") matt opal polyethylene globe.

Luminarias de estructura metálica con tratamiento para exterior (nanoforesis), pintada en gris RAL7032 y trenzado con material textil jaspeado tratamiento UV.

Esfera de vidrio Ø40cm (15.3/4") opal mate.

General measures / Medidas generales



Light bulb / bombillas

Voltage: 220-230V / 50-60Hz
120V / 60Hz (USA)

European version

CC.103



1xE27 LED 14W
(included)

USA version

TUS.CC.103

1x14W LED Medium base 120V
(not included)

Packaging / Embalaje

1 box

70x70x115 cm / 0,56 m³
28"x28"x46" / 19,8 ft³

Peso neto: 10 Kg
Net weight: 22 lb

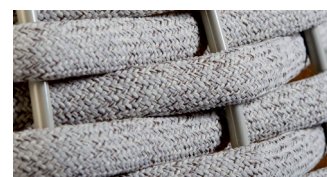
Features & finishings / Características

Structure: Metal lacquered RAL7032
Treated by nanoforesis

Material: Textile coated neoprene.

Estructura: Metal lacado RAL7032.
Tratamiento nanoforesis

Material: Neopreno recubierto de textil



Stainless steelstructure. Lacquered RAL7032
Estructura de acero inoxidable. Lacado RAL7032

Glass sphere diffuser. Matt opal
Esfera de vidrio. Opal mate

Certifications:



USA Certifications:



Suitable for outdoor use / Apta para uso exterior

