

Typology: Suspension

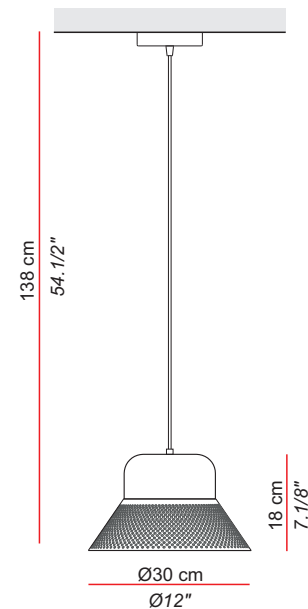
Description / Descripción

Hanging lamp made from treated cork and perforated metal sheet with antioxidant treatment (nanophoresis) and polyester paint, available in off white (RAL9001) and anthracite grey (RAL7024). Black fabric cable and bulb in the indoor version.

Luminaria de suspensión fabricada en corcho tratado y chapa metálica perforada con tratamiento antioxidante (nanoforesis) y pintura de poliéster, disponible en blanco roto (RAL9001) o gris antracita (RAL7024).

Cable textil negro y bombilla en la versión indoor.

General measures / Medidas generales



Light bulb / bombillas

Voltage: 220-230V / 50-60Hz
120V / 60Hz (USA)

European version

CH.001.00W 1xE27 LED 12W
 CH.001.00G

USA version

TUS.CH.001.00W 1x14W LED Medium base 120V
 TUS.CH.001.00G

Bulb not included / Bombilla no incluida

Packaging / Embalaje

1 box

32x32x25 cm / 0,025 m³
13"x13"x10" / 0,89 ft³

Peso neto: 1,5 Kg
Net weight: 3,3 lb

Features & finishings / Características

Lampshade
Pantalla

Natural Cork / water-based varnish
Corcho natural / Barniz al agua
Finished: Clear matt varnish (water-based)
Acabado: barniz mate incoloro (en base agua)

Lacquered perforated metal sheet
Chapa metálica perforada lacada

RAL 9001 RAL 7024

Canopy
Florón

Laquered metal
Metal lacado

*(RAL 9001 / RAL 7024)

Electrical cable
Cable eléctrico

Black fabric cable
Cable textil negro

Certifications:

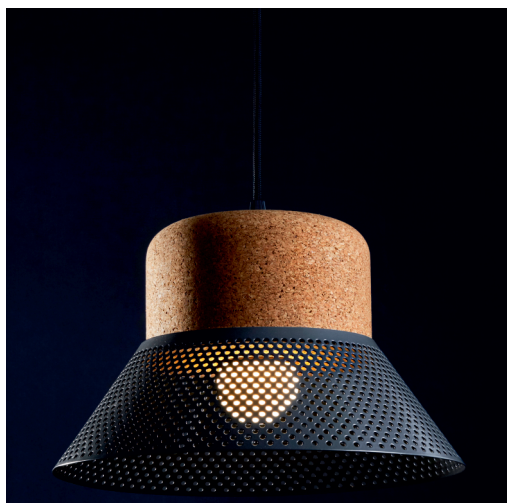


USA Certifications:



(PENDING)

Light for indoor use only / Luminaria solo para uso interior



Outdoor

Typology: Suspension

Description / Descripción

Hanging lamp made from treated cork and perforated metal sheet with antioxidant treatment (nanophoresis) and polyester paint, available in off white (RAL9001) and anthracite grey (RAL7024). Neoprene cable and 10W LED module in the outdoor version

Luminaria de suspensión fabricada en corcho tratado y chapa metálica perforada con tratamiento antioxidante (nanoforesis) y pintura de poliéster, disponible en blanco roto (RAL9001) o gris antracita (RAL7024).

Cable neopreno y módulo LED 10W para versión outdoor.

Light bulb / bombillas

Voltage: 220-230V / 50-60Hz
120V / 60Hz (USA)

European version

CH.101.14W
 CH.101.14G

LED 10W 230V 2700K 850lm
 Dimmable TRIAC

USA version

TUS.CH.101.14W
 TUS.CH.101.14G

LED 10W 120V 2700K 850lm
 Dimmable TRIAC

LED module included / Módulo LED incluido



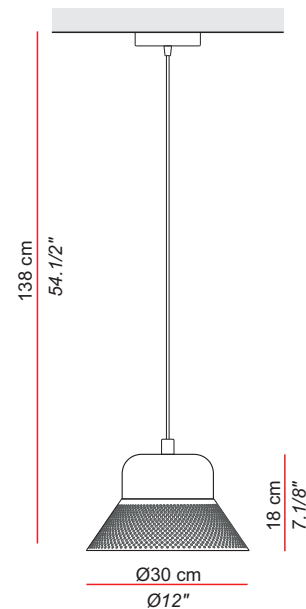
Packaging / Embalaje

1 box

32x32x25 cm / 0,025 m³
13"x13"x10" / 0,89 ft³

Peso neto: 1,5 Kg
Net weight: 3,3 lb

General measures / Medidas generales



Features & finishings / Características

Lampshade
Pantalla

Natural Cork / water-based varnish
Corcho natural / Barniz al agua
Finished: Clear matt varnish (water-based)
Acabado: barniz mate incoloro (en base agua)

Lacquered perforated metal sheet
Chapa metálica perforada lacada

RAL 9001 RAL 7024

Canopy
Florón

Lacquered metal
Metal lacado

*(RAL 9001 / RAL 7024)

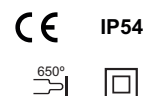
Electrical cable
Cable eléctrico

Black neoprene cable
Cable neopreno negro

Diffuser
Difusor

PMMA / matt ice
PMMA / hielo mate

Certifications:



USA Certifications:



(PENDING)

Suitable for outdoor use / Apta para uso exterior

425 Peachtree Hills Ave. NE #3 Atlanta, GA 30305
 404.876.1064 sales@illumco.com