

ORG ph 1300

by Sebastian Summa

TECHNICAL SHEET

North America standards

FICHE TECHNIQUE

normes Nord Américaines

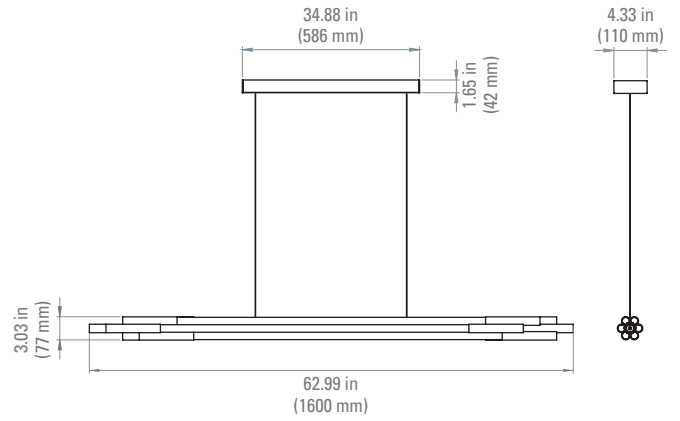


PENDANT LAMP

SUSPENSION

Materials Matériaux	Aluminum, glass, acrylic Aluminium, verre, acrylique
Net weight Poids net	4 Kg
Packaging Emballage	45.66 x 9.25 x 9.44 in 1160 x 235 x 240 mm
IP IP	20

Voltage Tension	110V
Class Classe	1
Watt Watt	17W
Source Source	INTEGRATED LED 2700K
Lumens output Lumens	1700 lm (nominal value) 1700 lm (valeur nominale)
Driver Driver	Driver supplied (7x2.4x1.4 in) TRIAC dimmable 500 mA / 32-56V / 28W Driver fourni (180x60x35 mm) Dimmable TRIAC 500 mA / 32-56V / 28W
Wire Câble	Length : 118 in Longueur : 3 m
Switch Interrupteur	NA
Plug Fiches	NA



ORG ph 1600

by Sebastian Summa

TECHNICAL SHEET North America standards

FICHE TECHNIQUE normes Nord Américaines



PENDANT LAMP

SUSPENSION

Materials Matériaux	Aluminum, glass, acrylic Aluminium, verre, acrylique
Net weight Poids net	5 Kg
Packaging Emballage	57.48 x 9.25 x 9.44 in 1460 x 235 x 240 mm
IP IP	20

Voltage Tension	110V
Class Classe	1
Watt Watt	22W
Source Source	INTEGRATED LED 2700K
Lumens output Lumens	2200lm (nominal value) 2200lm (valeur nominale)
Driver Driver	Driver supplied (5x2x0.9 in) TRIAC dimmable 500mA / 38-50V / 25W Driver fourni (122x42,8x24 mm) Dimmable TRIAC 500mA / 38-50V / 25W
Wire Câble	Length : 118in Longueur : 3 m
Switch Interrupteur	NA
Plug Fiches	NA