

cerno®



DESIGNED AND MADE IN CALIFORNIA

Miro Chandelier

 **illumination**
425 Peachtree Hills Ave NE #3, Atlanta, GA 30305
404.876.1064 sales@illumco.com



clear bubble, dark stained walnut crossbar, dark bronze, black cord

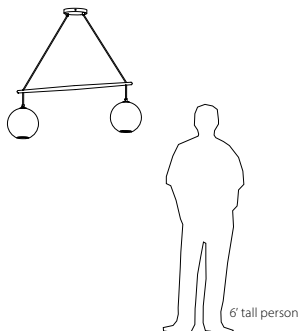


clear bubble, walnut, black, black cord

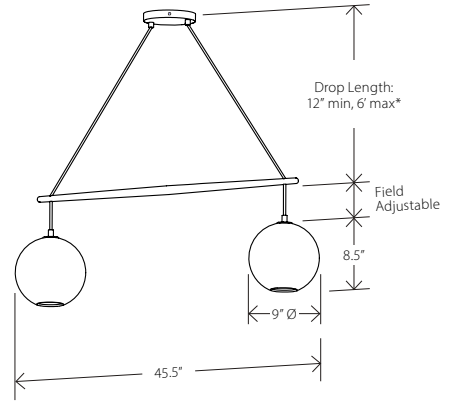


white bubble, white washed oak, brushed brass, taupe cord

The Miro chandelier is a bold design with timeless characteristics. The natural materials are in sync, and the fixture perfectly embraces Cerno's signature use of hand-crafted wood and Siemon and Salazar's stunning, hand-blown glass.



Miro
chandelier



Overall fixture length: 45.5"
 Fixture height depends on the glass shade drop distance from the crossbar
 Materials: glass, metal, wood
 Product weight: 12 lbs
 Glass size: 9.0"Ø x 8.5"H, 5.0 lbs
 Light source: medium base E26 socket
 Lamping: E26 base, G25 lamp, 40 W max 250 V AC max
 Round canopy with cloth covered SJT-3 cable
 Canopy dimensions: 7" Ø x 1"
 Canopy finish matches Metal Finish
 Black cloth cord included with walnut and dark stained walnut finishes
 Taupe cloth cord included with white washed oak finish
 Field adjustable drop length to crossbar: 12" min, 6' max
 Glass shade drop distance below the crossbar is adjustable
 Suitable for sloped ceilings
 UL listed for damp locations



MATERIAL & FINISH OPTIONS

Miro chandelier part # 09-250-

Glass Finish

- clear bubble (GL-129)
- white bubble (GL-236)

C
W

Wood Finish

- walnut (CM-001)
- dark stained walnut (CM-002)
- white washed oak (CM-095)

W
D
O

Metal Finish

- satin nickel (CM-137)
- brushed brass (CM-008)
- flat black (CM-030)

N
R
B

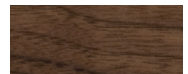
Lamping

- G25 LED bulb included - 2700 K, 90 CRI, 4 W, 350 Lumens, 120 V AC
- no bulb included

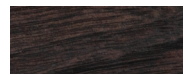
MB
OO

Each piece of hand-blown glass is a unique work of art. Dimensions, weight, and color will vary. When multiple fixtures are installed next to each other, expect some variation in shape and color.

Wood grain will vary.
 Specifications subject to change.



walnut (CM-001)



dark stained walnut (CM-002)



white washed oak (CM-095)



satin nickel (CM-102)



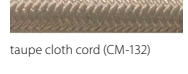
brushed brass (CM-008)



flat black (CM-030)



black cloth cord (CM-090)



taupe cloth cord (CM-132)